



# **KAS PRE-CLEANER**

## **JOHN DEERE S SERIES**

### **ADAPTOR KIT**

# **INSTALLATION MANUAL**

**PRODUCT NUMBER: KAS-301**

**REDEKOP™**

**KA003-01\_R1**



# 0 Safety

## 0.1 Instructions

**0.1.1 IMPORTANT:** Read through this instruction manual thoroughly and familiarize yourself with the KAS Pre-cleaner before installation of these components.

This instruction manual explains the proper procedure for installation of the KAS Pre-cleaner. Do not skip steps or perform them out of order.



## 0.2 Recognize Safety Information

**0.2.1** This is a safety-alert symbol. When you see this symbol on your straw chopper or in this manual, be alert to the potential for personal injury.

Follow recommended precautions and safe operating practices.



## 0.3 Understand Signal Words

**0.3.1** A signal word - DANGER, WARNING, or CAUTION - is used with the safety-alert symbol. DANGER identifies the most serious hazards.

WARNING or CAUTION safety signs are located near specific hazards or precautionary areas in this manual.



## 0.4 Work In Ventilated Area

**0.4.1** Engine exhaust fumes can cause sickness or death. If it is necessary to run an engine in an enclosed area, remove the exhaust fumes from the area with an exhaust pipe extension.

If you do not have an exhaust pipe extension, open the doors and get outside air into the area.

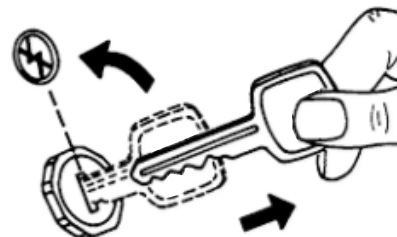


## 0.5 Remove Key from Ignition

**0.5.1** ALWAYS shut off machine engine prior to working on it.

Apply park brake, remove key and lock operators cab.

If the machine is equipped with an additional safety master power switch, turn this to the Power OFF position.



## 0.6 Block Wheels

### 0.6.1 Park the machine on level ground.

Always engage the park brake and block the wheels prior to working to prevent the machine from moving.



## 0.7 Practice Safe Maintenance

### 0.7.1 Understand service procedure before doing work. Keep area clean and dry.

Never lubricate, service, or adjust machine while it is moving. Keep hands, feet and clothing away from power-driven parts. Disengage all power and operate controls to relieve pressure. Lower equipment to the ground. Stop the engine. Remove the key. Allow machine to cool.

Securely support any machine elements that must be raised for service work.

Keep all parts in good condition and properly installed. Fix damage immediately. Replace worn or broken parts. Remove any buildup of grease, oil or debris.



## 0.8 Guards and Shields

### 0.8.1 Keep guards and shields in place at all times. Ensure that they are serviceable and maintained correctly.



## 0.9 Avoid Contact With Moving Parts

### 0.9.1 Keep hands, feet and clothing away from power driven parts. Never clean, lubricate or adjust machine when it is running.

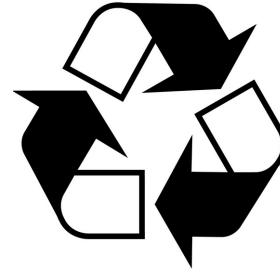


## 0.10 Dispose of Waste Properly

**0.10.1** Improperly disposing of waste can threaten the environment and ecology. Potentially harmful waste includes such items as oil, fuel, coolant, brake fluid, filters and batteries.

Use leakproof containers when draining fluids. Do not use food or beverage containers that may mislead someone into drinking from them.

Do not pour waste onto the ground, down a drain or into any water source.

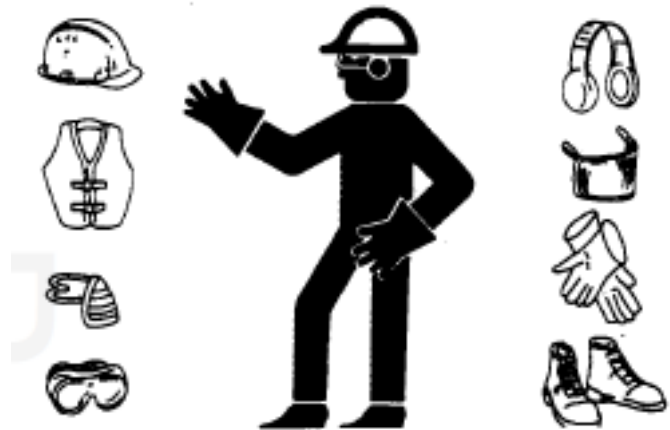


## 0.11 Personal Protective Equipment (PPE)

**0.11.1** A Qualified Person designated by the employer, who is knowledgeable about and familiar with all relevant specifications and assembly instructions and is capable of identifying existing or potential hazards in surroundings or working conditions which may be hazardous or dangerous to employees shall determine appropriate Personal Protective Equipment required for this assembly.

Personal Protective Equipment (PPE) are devices worn by the employees to protect against hazards in the environment. Examples include safety glasses, face shields, respirators, gloves, hard hats, steel-toe shoes, and hearing protection. Wear close fitting clothing and safety equipment appropriate for the job.

Operating equipment safely requires the full attention of the operator. Do not wear radio or music headphones while operating machine.

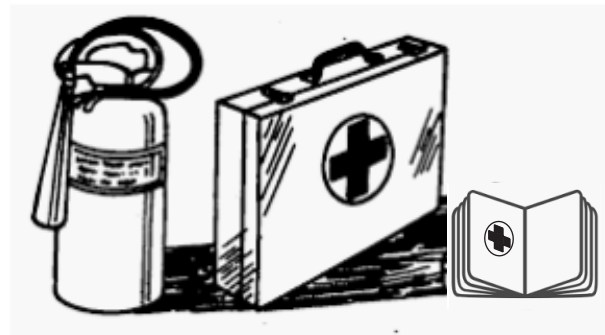


## 0.12 Prepare for Emergencies

**0.12.1** Be prepared if a fire starts.

Keep a first aid kit and fire extinguisher handy.

Keep emergency numbers for doctors, ambulance service, hospital and fire department near your telephone.



### 0.13 In the Event of Fire

**0.13.1** Stop work immediately at first sign of fire. This may be the smell of smoke or the sight of smoke or flames.



**CAUTION: Do not risk personal injury. If a fire is too far advanced, do not try to extinguish it.**



If a fire can be safely extinguished, proceed carefully and follow these guidelines:

1. Remove fire extinguisher from bracket and carry it to the area of fire.
2. Approach area of fire wind to your back.
3. Pull the safety pin out of actuating lever.
4. Hold extinguisher upright and aim hose at base of flames.
5. Squeeze lever to discharge fire extinguisher.
6. Move hose to cover the source of the fire evenly with extinguishing agent.

### 0.14 Safety Decals

#### Pictorial Safety Signs

At several important places on this machine, safety signs are affixed intending to signify potential danger. The hazard is identified by a pictorial in a warning triangle. An adjacent pictorial provides information on how to avoid personal injury. These safety signs and a brief explanatory text follow.

#### Hand Injury / Rotate Danger RP1089

Risk of injury caused by rotating parts.



#### Caution / Check Service Manual RP873

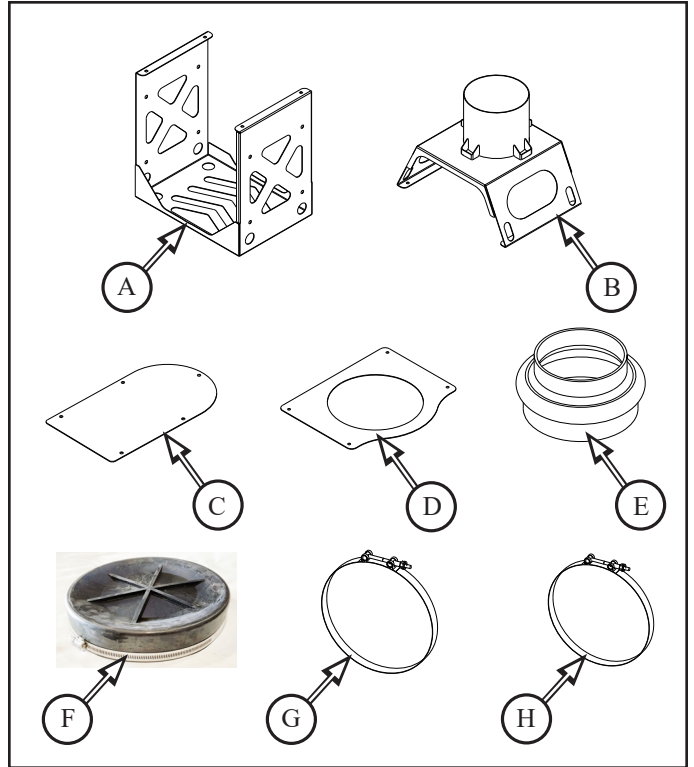
This operator's manual contains all important information necessary for safe machine operation. Carefully observe all safety rules to avoid accidents.



# 1 KAS Pre-cleaner Adaptor Kit Installation

## Parts List:

KA103G	Air Cleaner Housing Mount (A)	Qty 1
KA104G	Top Air Intake (B)	Qty 1
KA105G	Plate Inlet Block Off JD S Series (C)	Qty 1
KA106G	Cross Bolt Plate (D)	Qty 1
RP1549	Reducing Hump Hose (E)	Qty 1
RP1569	Rubber Cap - 10.5in ID w/Clamp (F)	Qty 1
RP1531	Clamp T-Bolt 0.25 UNF x 10.625 ID (G)	Qty 1
RP1566	Clamp T-Bolt 0.25 UNF x 8.75 (H)	Qty 1



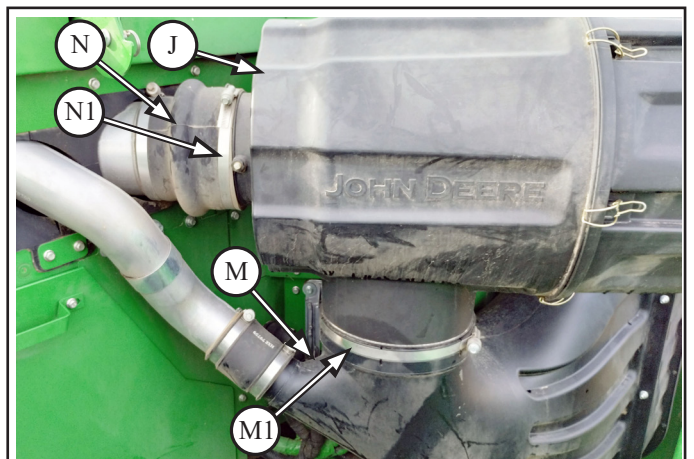
**\*\* Ensure dust, dirt and chaff is blown away from work area \*\***

- 1.1** Remove OEM air cleaner housing (J)  
 - housing will have to be rotated 180 degrees so the inlet to the air filter housing is pointing straight up

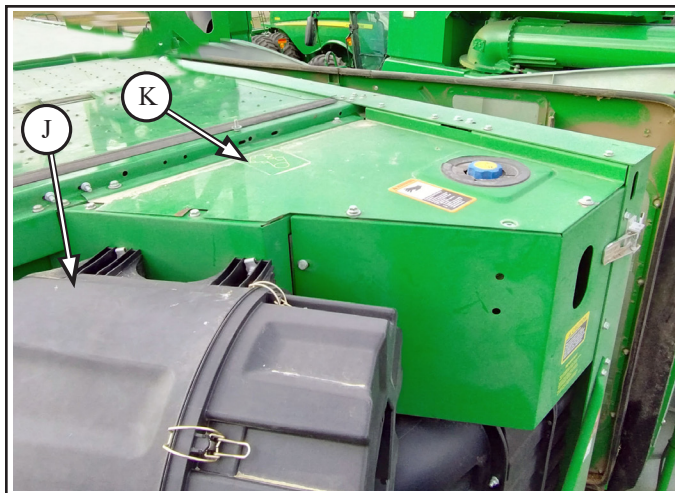


**WARNING \*\* Ensure no debris enters engine intake while intake hose clamp is loose \*\***

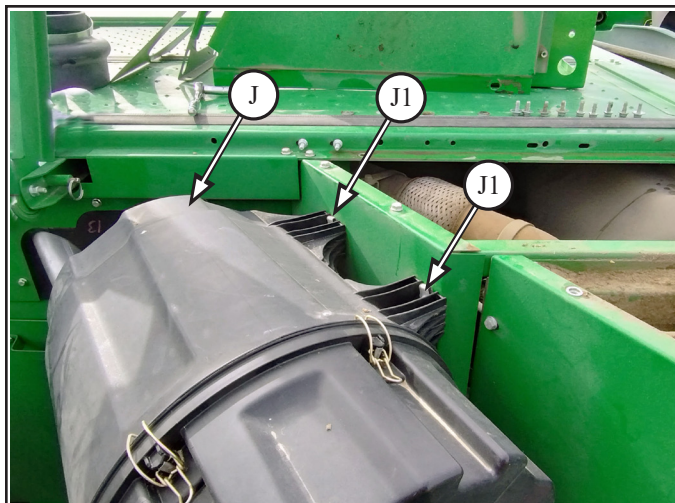
- 1.1.1** Loosen the hose clamps (M1 & N1) that hold the air cleaner housing (J) to the air intake inlet (M) and outlet (N)  
 - hose clamp (N1) to be reused  
 - hose clamp (M1) not to be reused



**1.1.2** Remove roof panel (K) right of housing (J) to access housing mounting hardware  
- to be reinstalled

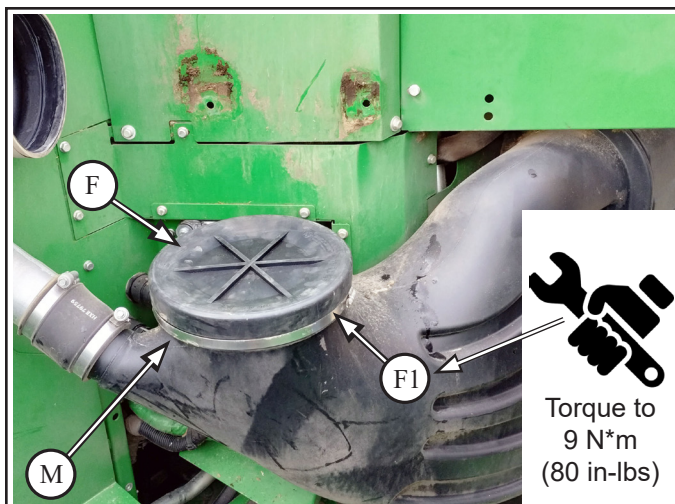


**1.1.3** Unbolt the air filter housing (J) from where it mounts to the combine  
- hardware (J1) x4 to be reused



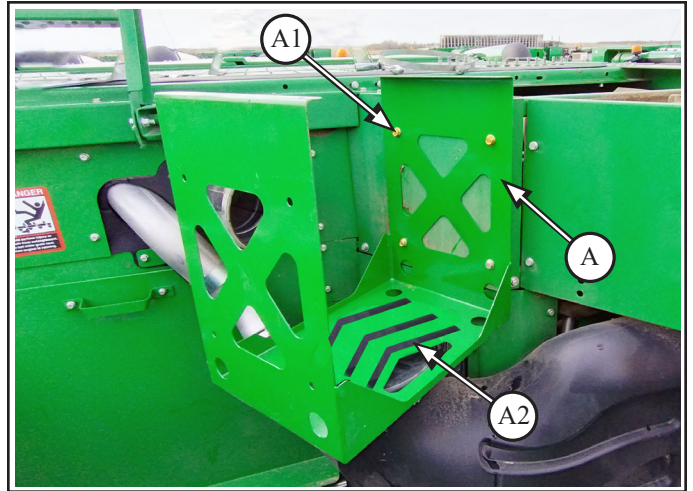
**1.2** Install rubber cap (F) to bottom air intake (M), with:  
- hose clamp (F1)

**1.2.1** Torque to 9 N\*m (80 in-lbs)



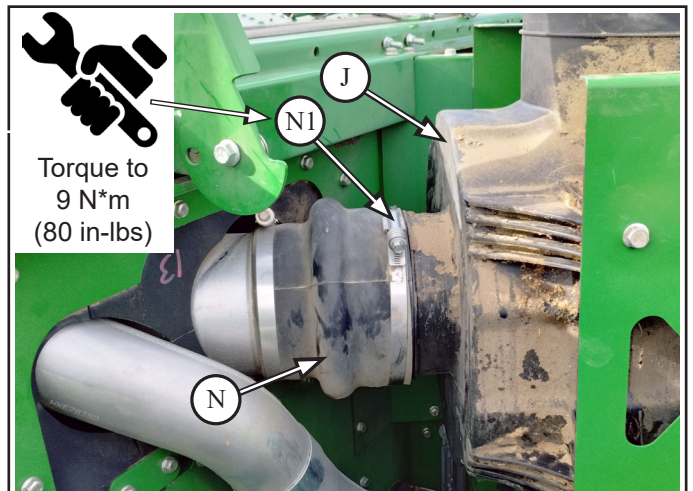
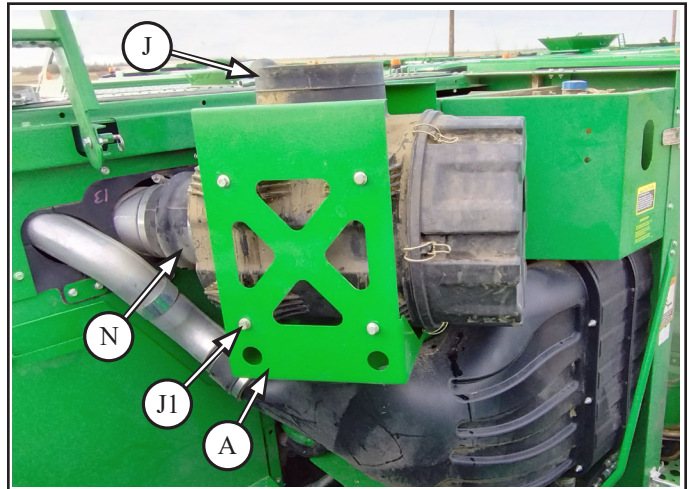


- 1.3** Install new air filter housing support bracket (**A**) to the panel where the air filter housing formally bolted to in previous step 1.1.3, with:
- M10 x 20 flange head bolt and flange nut (**A1**) x4
  - Ensure arrows (**A2**) on bottom of support bracket (**A**) are pointing forward



- 1.4** Install air filter housing (**J**) with the air inlet pointing up to the air intake inlet (**N**) and new support bracket (**A**), with:
- reuse hose clamp (**N1**)
  - reuse existing mount hardware (**J1**) x4

**1.4.1** Torque hose clamp (**N1**) to 9 N\*m (80 in-lbs)



**1.5** Install reducing hump hose (E) to the top of the air filter housing intake (J), with:

- hose clamp (G)

**1.5.1** Torque to 9 N\*m (80 in-lbs)



**1.6** Place cross bolt plate (D) onto housing mount (A)

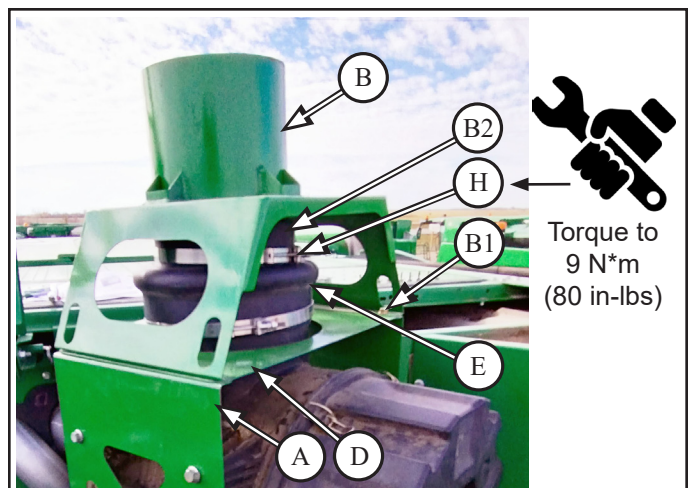


**1.6** Install KAS pre-cleaner mount (B) to housing mount (A), with:

- M8 x 20 round head bolt and flange nut (B1) x4

**1.6.1** Ensure the tube (B2) on the KAS pre-cleaner mount (B) inserts properly into the hump hose (E), secure with:

- hose clamp (H)



1.7 Reinstall roof panel (K) right of housing (J), with:  
- reuse mounting hardware (K1)



1.8 View with KAS pre-cleaner adaptor kit installed



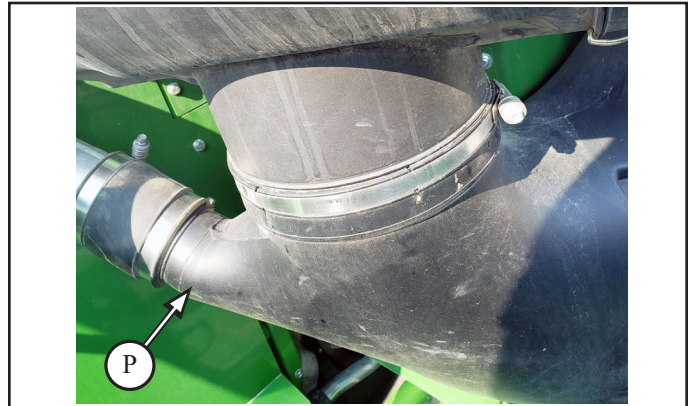
## Late Model S600 or S700 Series Combines

### Identify early model S600 or S700 Series Combines:

1.9 Early model S600 Series Combines do not have a secondary inlet



1.9 Late model S600 or S700 Series Combines have a secondary inlet (P)



1.9 Install intake cover (C) over the bottom two intake ports in the radiator compartment, with:

- remove nuts from studs (C1) x5 to slide plate onto
- reuse nuts (C1) x5 to secure plate (C) in place
- this will allow adequate air pressure to reach the auxiliary blower located on the left hand side of the combine

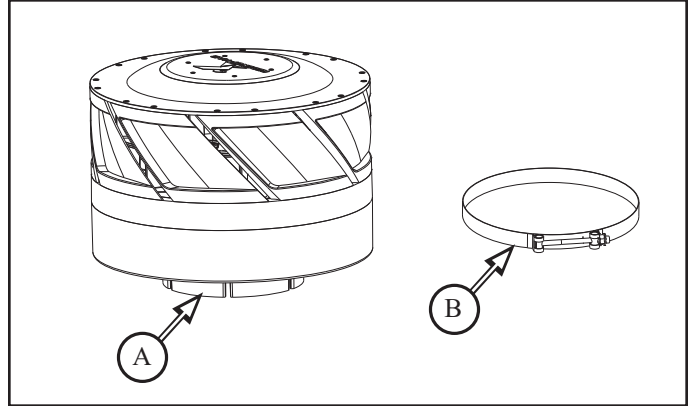


1.10 If equipped with the KAS Pre-cleaner, see section 2 for complete installation

## 2 KAS Pre-cleaner Installation

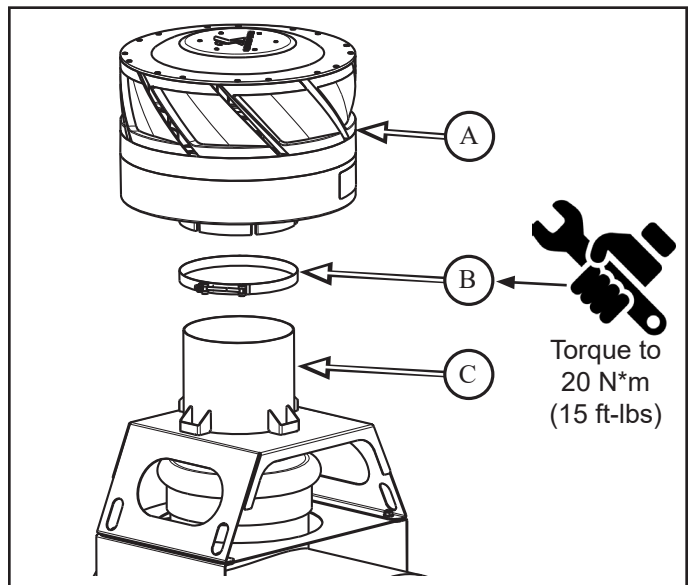
### Parts List:

KA800A KAS Pre-cleaner assembly 8in (A) Qty 1  
RP1535 Clamp T-Bolt Band 0.25 x 8.5 ID SS (B) Qty 1

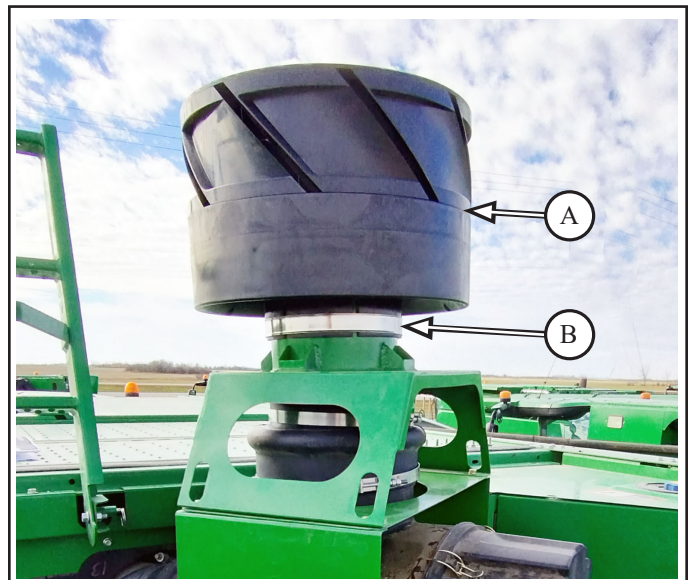


**2.1** Install KAS Pre-cleaner assembly (A) on to adapter tube (C), with:  
- hose clamp (B)

**2.1.1** Torque to 20 N\*m (15 ft\*lb)

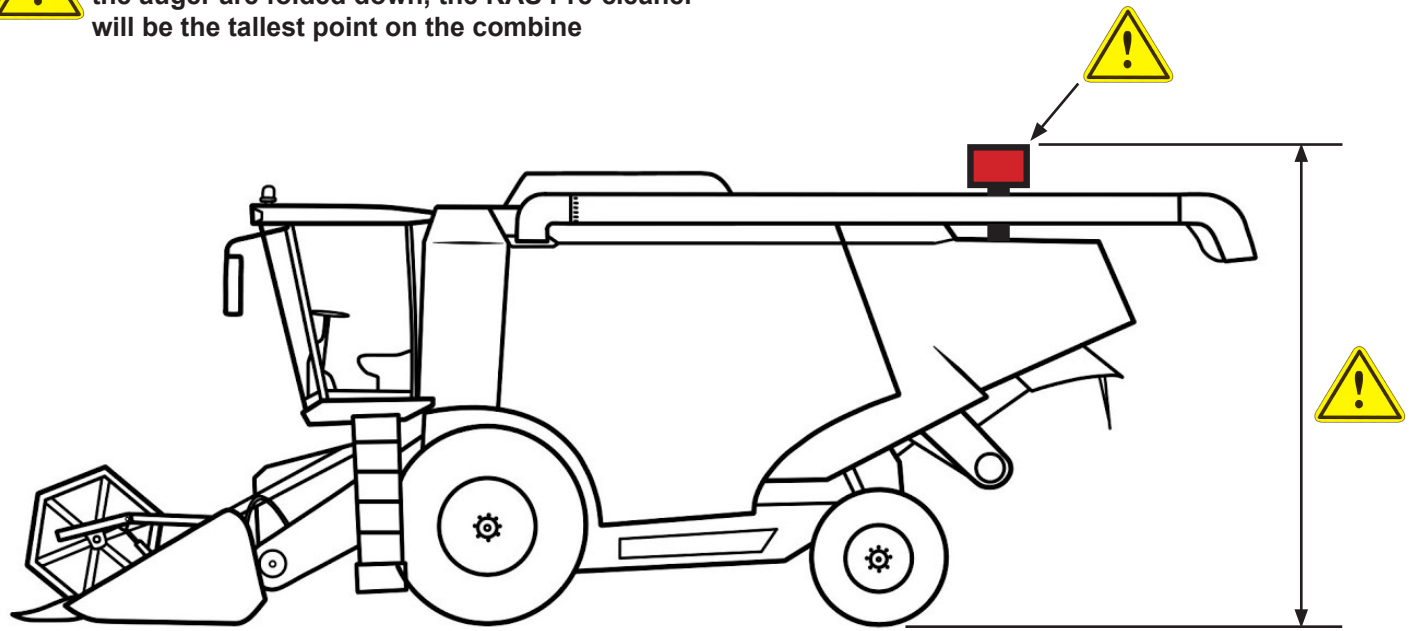


**2.1.1** View with KAS Pre-cleaner assembly (A) installed onto adaptor





**CAUTION:** When the grain tank extensions and the auger are folded down, the KAS Pre-cleaner will be the tallest point on the combine



Torque Table		
Nominal Size	Class 8.8	Class 10.9
	Nm / (ft-lbs)	Nm / (ft-lbs)
M8 - flanged	27 / (20)	39 / (29)
- non flanged	25 / (18)	35 / (26)
M10 - flanged	54 / (40)	57 / (42)
- non flanged	49 / (36)	70 / (51)
M12 - flanged	93 / (69)	134 / (98)
- non flanged	85 / (63)	121 / (90)



# CAUTION

Check all fasteners to ensure they have been properly tightened



# CAUTION

Check that all tools and loose hardware have been removed from the machine before running

# REDEKOP MANUFACTURING

**1.866.REDEKOP (1.866.733.3567)**

Saskatoon, Saskatchewan Canada S7K 3J7  
info@redkopmfg.com  
www.redkopmfg.com

For additional and the most up to date Manuals:



EQR002

**REDEKOP™**

**REDEKOP™**