

**REDEKOP™**

# **SCU Magnet Kit**

**CLAAS**

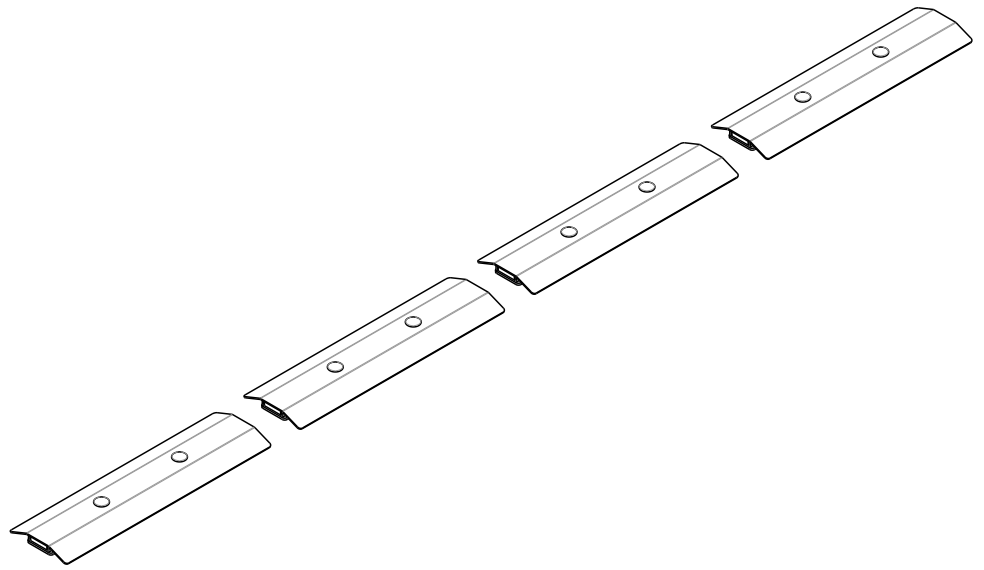
**PARTS MANUAL**

**PART NUMBER: 850-403**

**SC0170-04\_RO**



**REDEKOP™**



**Redekop Manufacturing 2014**

Box 178A, RR#4 Hwy 16 West  
Saskatoon SK S7K 3J7

Ph: 1.306.931.6664

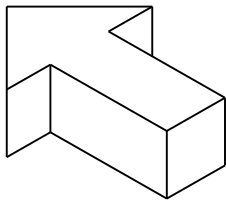
1.866.REDEKOP

(1.866.733.3567)

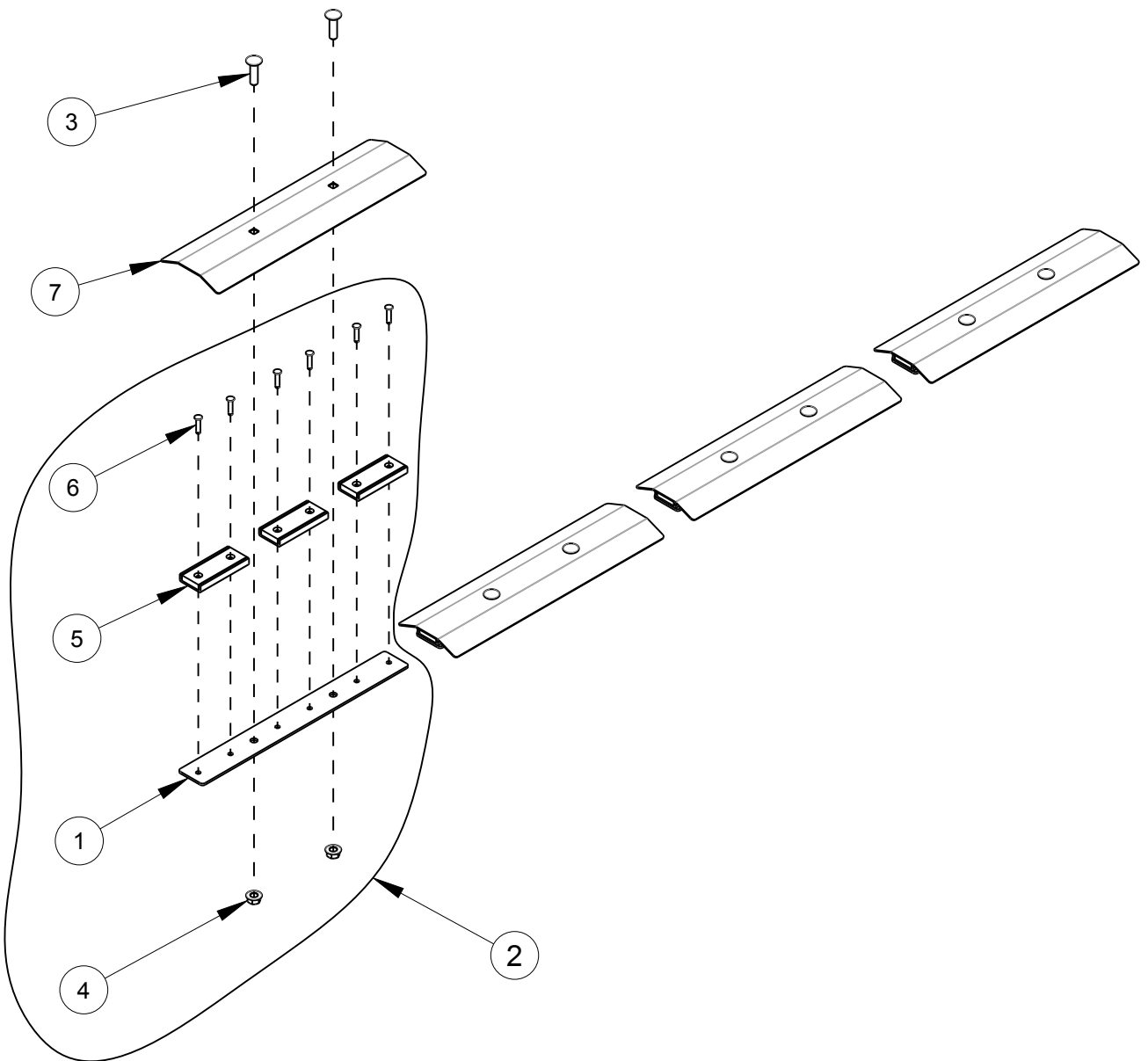
Fax: 1.306.933.1088

Email: [info@redekopmfg.com](mailto:info@redekopmfg.com)

Web: [www.redekopmfg.com](http://www.redekopmfg.com)



FRONT OF COMBINE



# 850-403 Kit Magnet Claas Parts Manual

Page:1 - 2  
Date:23JUN2023

Serial No Range From:

Serial No Range To:

ITEM NO.	PART NO.	DESCRIPTION	QTY	NOTE
1	SC658C	CLAAS SCU MAGNET BASE - CHARCOAL	4	
2	SC658CA	CLAAS SCU CHAFF PAN MAGNET ASSY - CHAR	4	
3	B3IM-0830	BOLT RH M8x30 C8.8 YZD ISO8678 Short Neck	8	
4	N2IM-08	NUT FLG M8 C8 YZD Iso4161	8	
5	RPI108	MAGNET 1x3.75x0.38"	12	
6	RPI304	18-8 ALUMINUM RIVET 0.188X0.7"	24	
7	SC659-01	CLAAS SCU MAGNET SHIELD - SS	4	

SC0170-04

Indicate implement serial number with any parts order \_\_\_\_\_