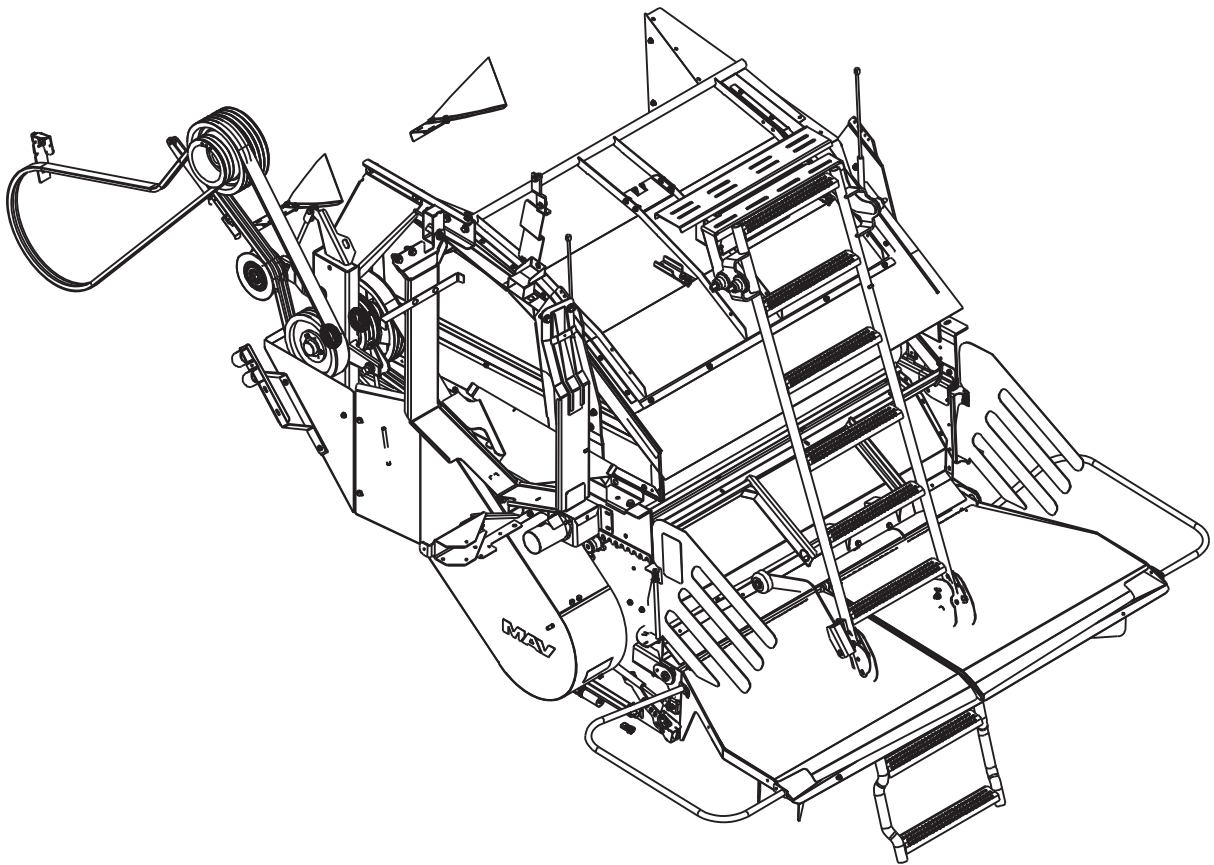


CaseIH 7230-9230, 7240-9240
MAV - 221-001
Parts Manual

Housing Serial # RM24350 - RM25014
Jackshaft Serial # JS001 - JS070



CaseIH 230/240 Series MAV Chopper
Chopper Base Mounts

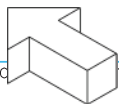
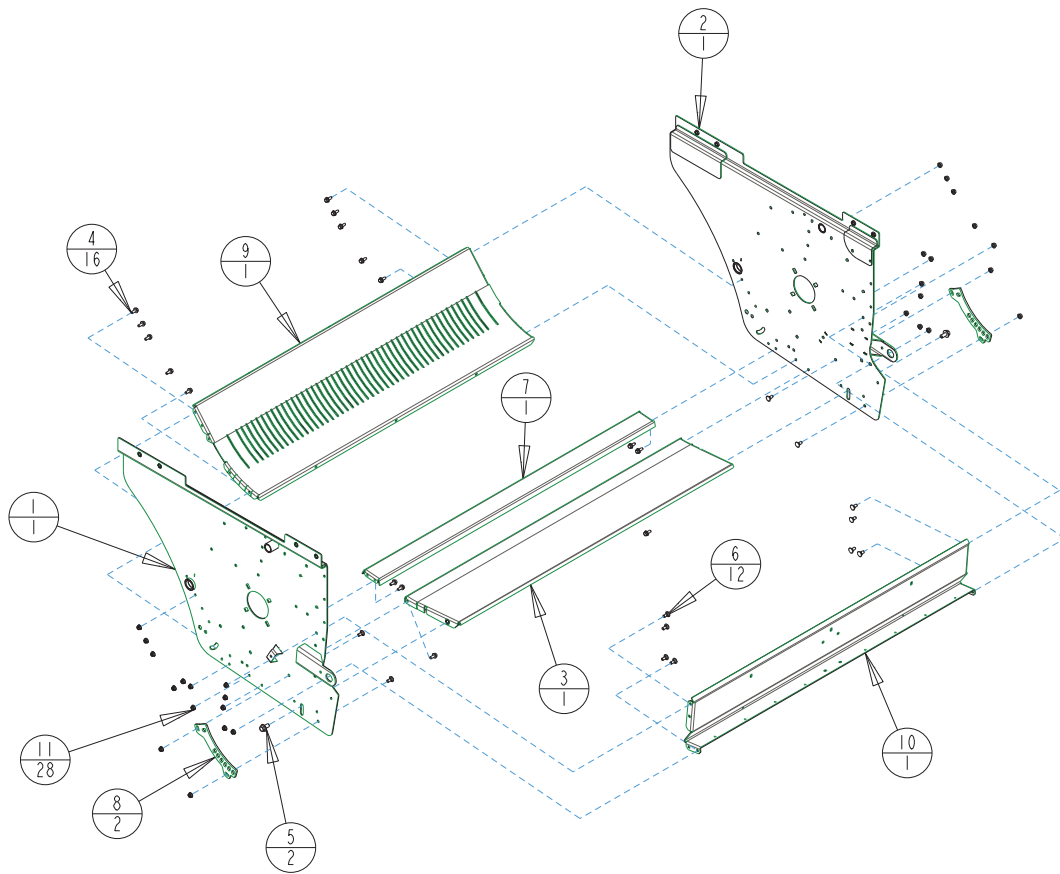
Date: 14-Apr-16

Serial No Range From:
24350

Serial No Range To:
25014

KEY:

index
qty



Indicent serial number with any parts order

1700186

CaseIH 230/240 Series MAV Chopper
Chopper Base Mounts

14-Apr-16

ITEM NO.	PART NO.	DESCRIPTION	QTY	NOTE
1	CG420BL	SIDEWALL LT BASE CHOPPER	1	
2	CG420BR	SIDEWALL RT BASE CHOPPER	1	
3	CG424B	FLOOR EXT 55W	1	
4	B21M-0820	BOLT FLG M8X20 C8.8 YZD	16	
5	B21M-1225	BOLT FLG M12X25 C8.8 YZD	2	
6	B31M-0820	BOLT RH M8x20 C8.8 YZD	12	
7	CG160B	GUARD KNIFE BAR 55L	1	
8	CG314B	LUG TBOARD ADJ 6 HOLE	2	
9	CG422B	FLOOR CHOPPER 55W	1	
10	CG426B	CHOPPER RR PANEL 55L	1	
11	N21M-08	NUT FLG M8 C8 YZD	28	

Chopper Housing Components

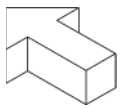
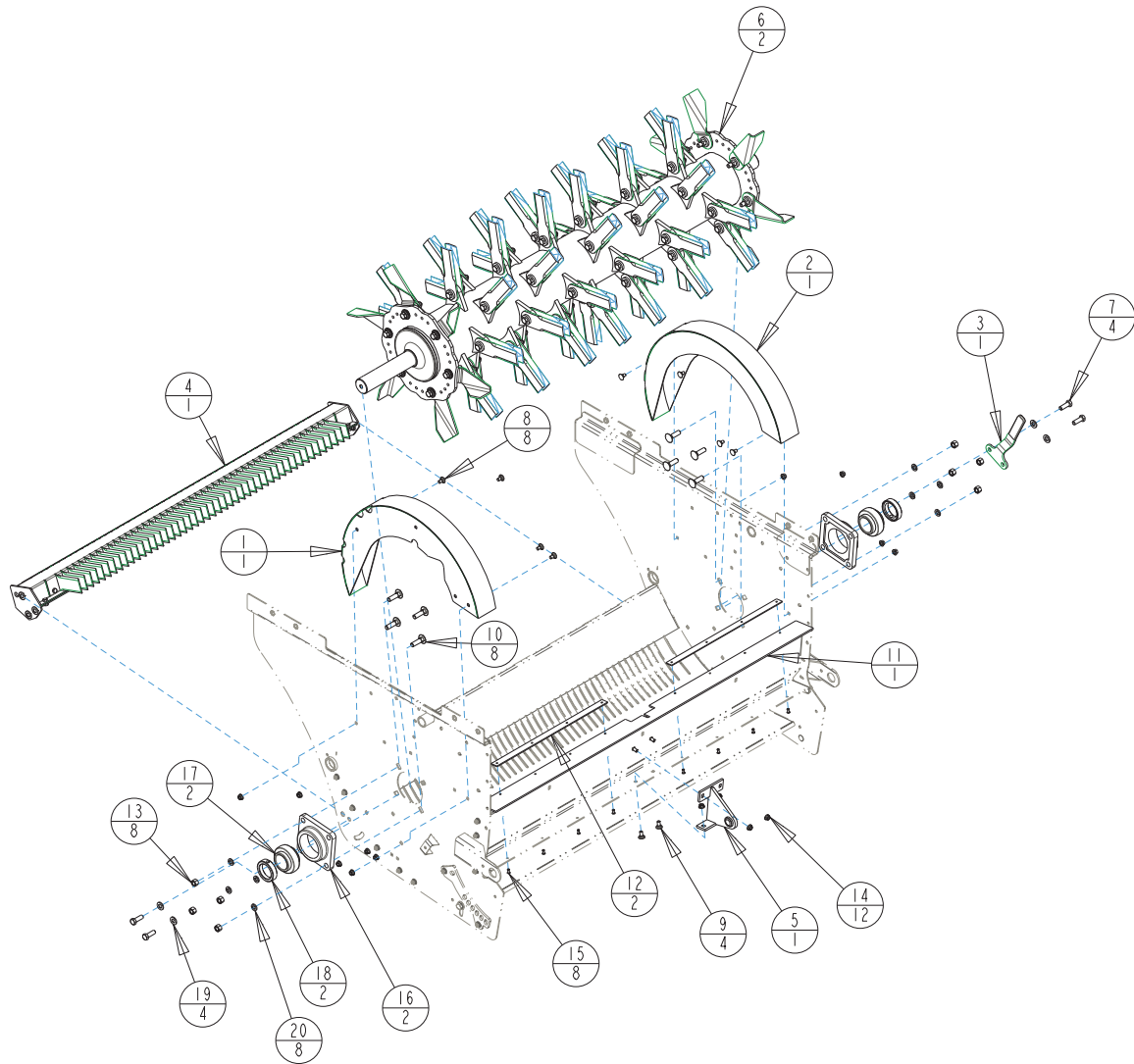
Date: 14-Apr-16

Serial No Range From:
24350

Serial No Range To:
25014

KEY:

index
qty



Indicate implement serial number with any parts order

1700187

CaseIH 230/240 Series MAV Chopper
Chopper Housing Components

14-Apr-16

ITEM NO.	PART NO.	DESCRIPTION	QTY	NOTE
1	CG223BL	SHROUD FAN LT BCHOP	1	
2	CG223BR	SHROUD FAN RT BCHOP	1	
3	CG244BA	ASSY KBAR HANDLE	1	SUBSTITUTE W/ CG247BA
4	CG352BA	KNIFE BAR ASSY MAV 55L W/O PADDLES	1	
5	CG428BA	BRACKET TBOARD SUPPT	1	
6	CG751BA	ROTOR MAV FG 55W 8R PLUS RMC	1	
7	B11M-1235	BOLT HEX M12X35 C8.8 YZD	4	
8	B31M-0816	BOLT RH M8x16 C8.8 YZD ISO8677	8	
9	B31M-0820	BOLT RH M8x20 C8.8 YZD	4	
10	B36M-1245	BOLT RH M12x45 C8.8 YZD Long Neck	8	
11	CG226-01	BELT TBOARD SEAL 55W	1	
12	CG228B	STRAP BELT SEAL 55W	2	
13	N11M-12	NUT HEX M12 C8 YZD	8	
14	N21M-08	NUT FLG M8 C8 YZD	14	
15	R03-08	RIVET .188 X .375 SS	8	
16	RP238	BEARING CAST FLANGE 4 BOLT F210	2	
17	RP295	BEARING BALL SPH 50mm ID ECL UEL	2	C/W RP296
18	RP296	LOCK COLLAR ECL 50mm ID	2	NSS - ORDER RP295
19	W11M-12	WASHER FLAT M12X25.4X2.8 YZD	4	
20	W21M-12	WASHER HELICAL LOCK M12	8	

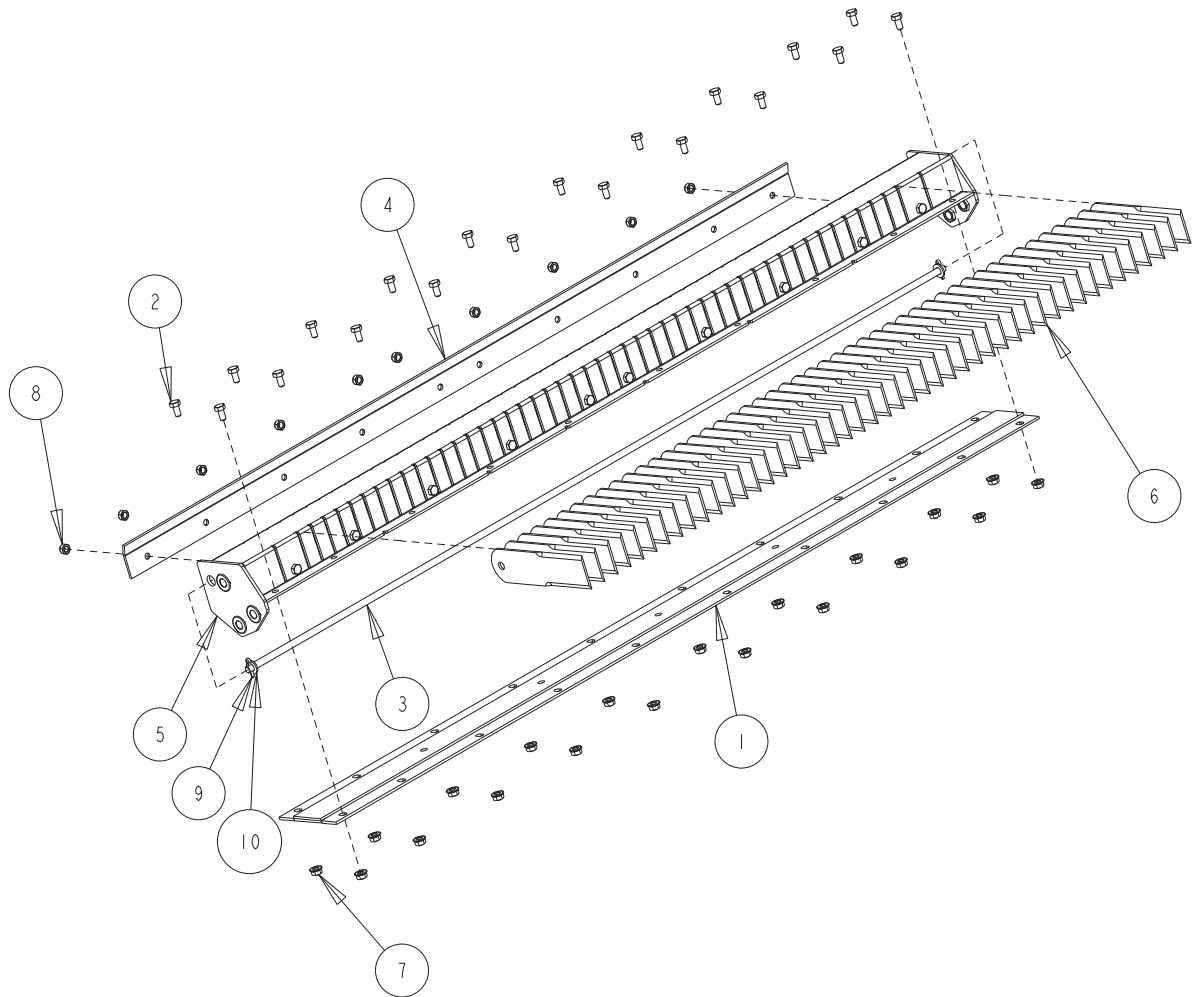
NSS = NOT SERVICED SEPARATLY

CaseIH 240 Series MAV Chopper
Chopper Knife Bar Components

Date: 24JAN2017

Serial No Range From:
RM24350

Serial No Range To:
RM25014



CS0145-02-6

Indicate implement serial number with any parts order _____

CaseIH 240 Series MAV Chopper
Chopper Knife Bar Components

Date:24JAN2017

ITEM NO.	PART NO.	DESCRIPTION	QTY	NOTE
1	CGI52B	BACKPLATE KNIFE BAR W 55L	1	
2	BIIM-0816	BOLT HEX M8X16 C8.8 YZD Iso4014	20	
3	CGI53B	ROD KNIFE BAR 55L	1	
4	CGI54B	PLATE PRESS KNIFE BAR 55L	1	
5	CG30I-02	PLATE KNIFE BAR FRAME	2	
6	HA700	BLADE STR KNIFE BAR	47	
7	N2IM-08	NUT FLG M8 C8 YZD Iso416I	20	
8	N42M-08	NUT LOCK STL M8 C10 YZD DIN980V	10	
9	P2IM-0322	PIN COTTER M3X22	2	
10	WIIM-10	WASHER FLAT M10 x 20 x 2.3 YZD	2	

CS0145-02-7

Case IH 230/240 Series Mav Chopper
AFX Upper Mounts

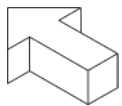
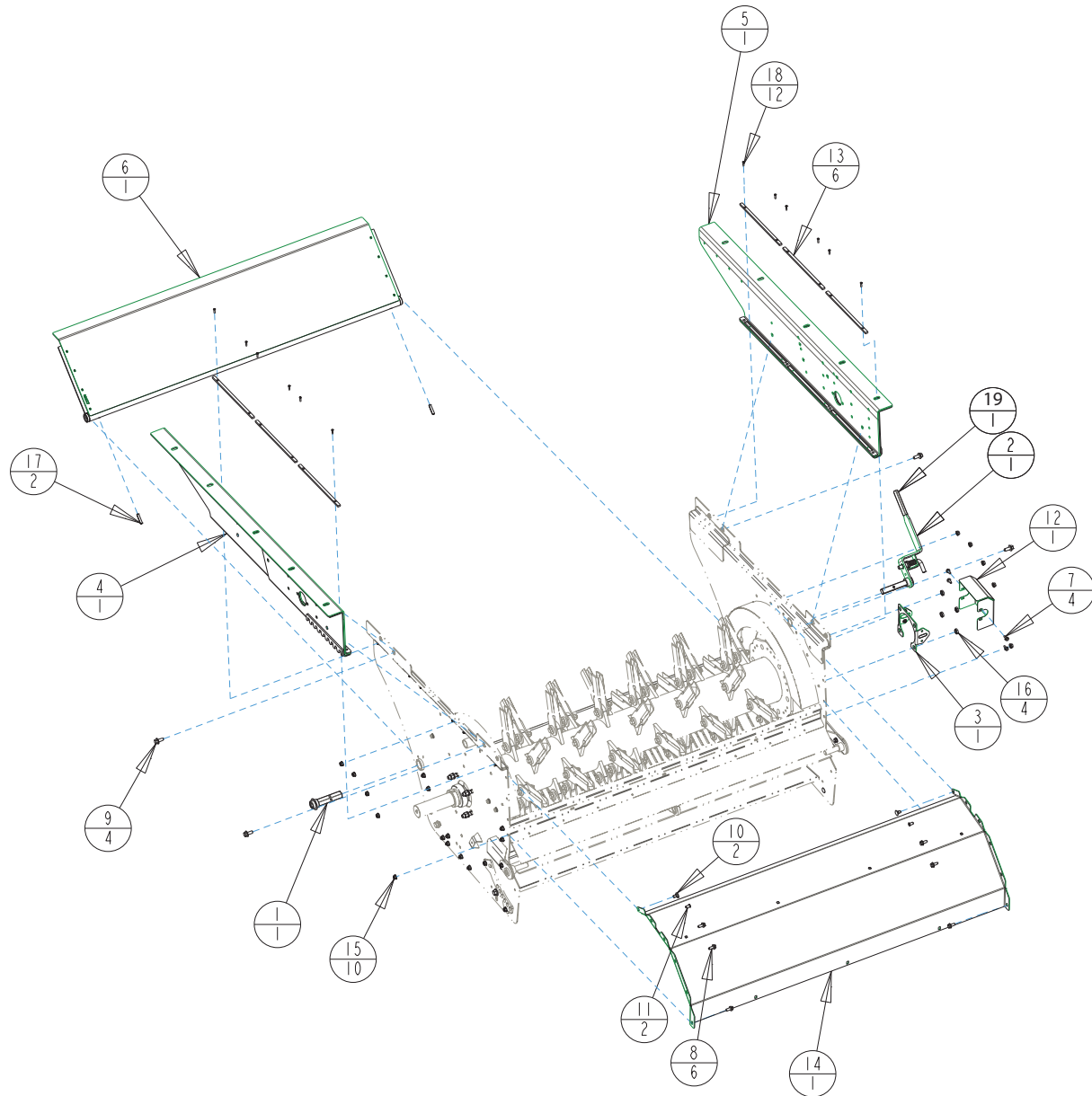
Date: 11-May-16

Serial No Range From:
24350

Serial No Range To:
25014

KEY:

index
qty



1600128

Indicate implement serial number with any parts order

CaseIH 230/240 Series MAV Chopper
AFX Upper Mounts

Page 6
12-May-16

ITEM NO.	PART NO.	DESCRIPTION	QTY	NOTE
1	CG131Z	PIVOT PIN CHOPPER DOOR - YZD	1	
2	CG245BA	HANDLE ADJ ASSY 13 5/8L - BLACK	1	
3	CH339B	MOUNT BRKT SPD SENSOR - BLACK	1	
4	CS531BL	PANEL SIDE LT AFX - BLACK	1	
5	CS531BR	PANEL SIDE RT AFX - BLACK	1	
6	CS542BA	DOOR CHAFF AFX ASSEMBLY - BLACK	1	
7	B21M-0616	BOLT FLG M6X16 C8.8 YZD	4	
8	B21M-0820	BOLT FLG M8X20 C8.8 YZD	6	
9	B21M-1025	BOLT FLG M10X25 C8.8 YZD	4	
10	B31M-0816	BOLT RH M8x16 C8.8 YZD ISO8677 SHORT NECK	2	
11	CH340B	SHIELD SPEED SENSOR NH - BLACK	1	
12	B61M-0816	BOLT SOCKET CAP M8 X 16 C8.8 YZD	2	
13	CS557-01	BEARING CHOPPER SLIDE	6	
14	CS564B	HOOD CHOPPER 55W DELUXE - BLACK	1	
15	N21M-08	NUT FLG M8 C8 YZD	10	
16	N31M-12	NUT JAM M12 C8 YZD	4	
17	P11M-0840	PIN ROLL 08 X 40	2	
18	S51-0808	SCREW PHILIPS 8-32 FLAT HEAD	12	

Case 230/240 Series MAV Chopper
AFX Upper Mounts

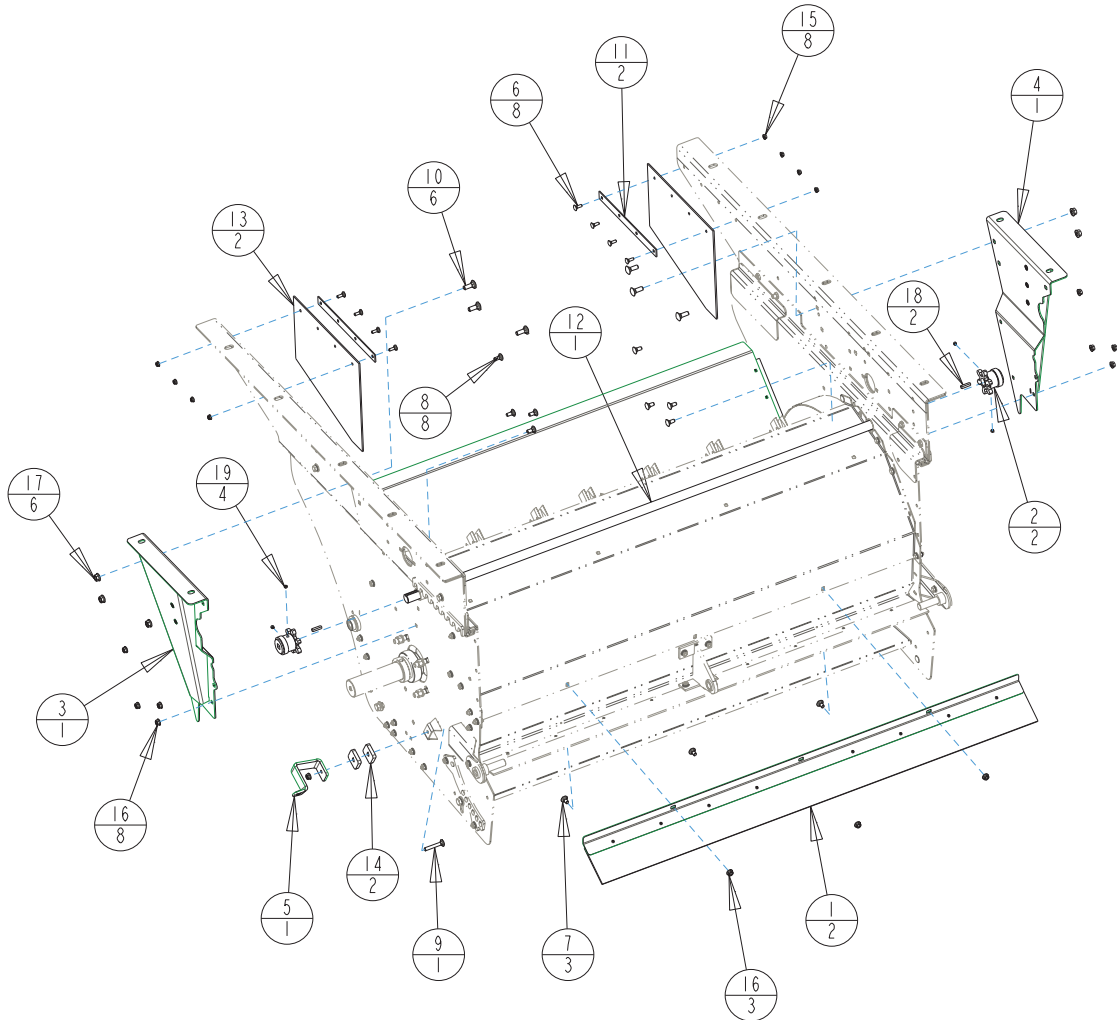
Date: 12-May-2016

Serial No Range From:
24350

Serial No Range To:
25014

KEY:

index
qty



1600129

Indicate implement serial number with any parts order

CaseIH 230/240 Series MAV Chopper
AFX Upper Mounts

12-May-16

ITEM NO.	PART NO.	DESCRIPTION	QTY	NOTE
1	CG445BA	SEAL ASSY TOP TBOARD 55W - Black	2	
2	CS553B	GEAR CHOPPER SLIDE - Black	2	
3	CS765BL	GUSSET AFX CHOPPER LT /W - Black	1	
4	CS765BR	GUSSET AFX CHOPPER RT - Black	1	
5	CS789Z	BRKT BTM SHIELD MT - YZD	1	
6	B31M-0620	BOLT RH M6X20 C8.8 YZD	8	
7	B31M-0816	BOLT RH M8x16 C8.8 YZD ISO8677 Short Neck	13	
8	B36M-0820	BOLT RH M8x20 C8.8 YZD DIN603 Long Neck	8	
9	B36M-0855	BOLT RH M8x55 C8.8 YZD DIN603 Long Neck	1	
10	B36M-1030	BOLT RH M10X30 C8.8 YZD LONG NECK	6	
11	CS221-03B	BACKPLATE CHP DOOR 4H 12L - Black	2	
12	CS552-02	SHAFT CHOPPER SLIDE	1	
13	CS602-01	BELT CHAFF DEFLECT AFX	2	
14	CS795Z	SPACER GAS SHOCK MT 0.375tk - YZD	2	
15	N21M-06	NUT FLG M6 C8 YZD	12	
16	N21M-08	NUT FLG M8 C8 YZD	86	
17	N21M-10	NUT FLG M10 C8 YZD	6	
18	RP932	Key Square .25 x .25 x 1.1 L	2	
19	S11M-0805	SCREW SET HEX M8X5 G45H YZD	4	

Case 230/240 Series MAV Chopper
AFX Rotor Componets

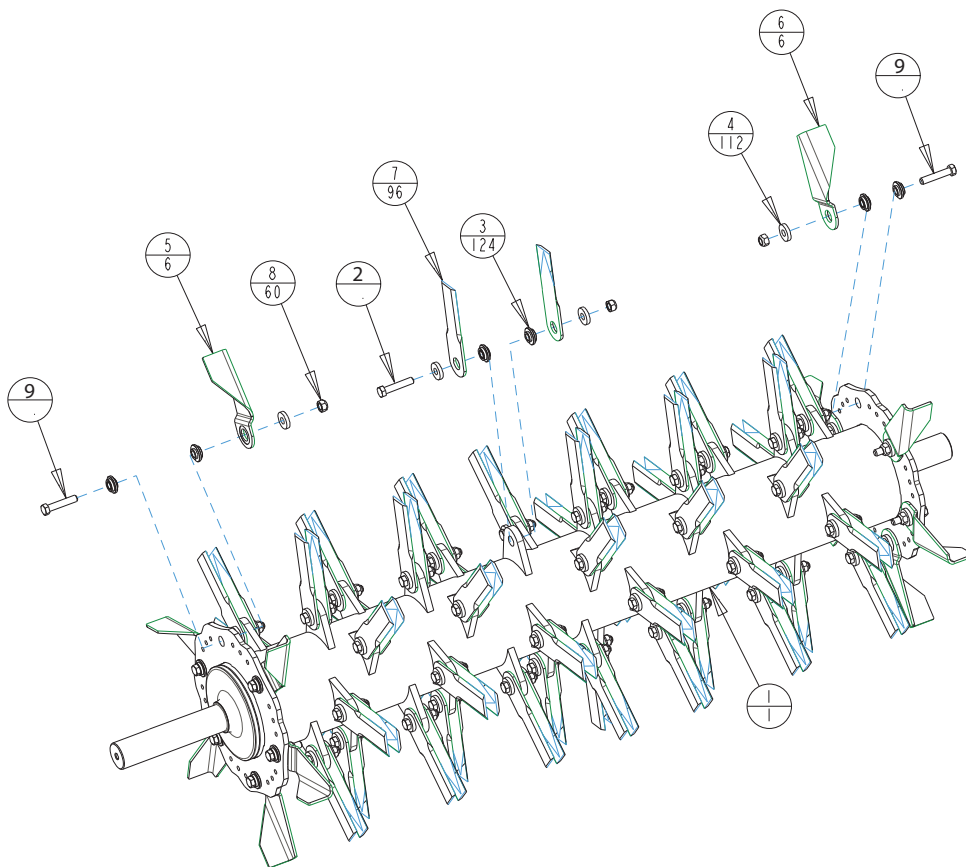
Date:13-May-16


Serial No Range From:
24350

Serial No Range To:
25014

KEY:

index
qty



 implement serial number with any parts order _____

1600130

CaseIH 230/240 Series MAV Chopper
AFX Rotor Componets

13-May-16

TEM NO	PART NO.	DESCRIPTION	QTY	NOTE
1	CG751BA	ROTOR MAV FG 55W 8 ROW WIDE SPREAD	1	8 row rotor - wide spread
1	CG752BA	ROTOR MAV FG 55W 8R STANDARD SPREAD	1	8 row rotor - standard spread
1	CG731BA	ROTOR MAV FG 55W 4R WIDE SPREAD	1	4 row rotor - wide spread
1	CG730BA	ROTOR MAV FG 55W 4R STANDARD SPREAD	1	4 row rotor - standard spread
2	B12M-1260	BOLT HEX M12X60 C10.9 YZD	48	
3	HA553	BUSHING .885 BD .750 LD	120	not serviced separately - see BK553 kit below
3	BK553	BUSHING KIT - HA553 (20)	7	
4	HA555	WASHER ROTOR .485ID 1.25OD	108	not serviced separately - see BK555 kit below
4	BK555	WASHER KIT - HA555 (20)	6	
5	HA570L	BLADE FAN MAV LEFT 2 INCH	6	wide spread option - not serviced separately
5	BK570	BLADE KIT - HA570 (6 PAIRS)	1	includes left and right blades
5	HA550L	BLADE FAN MAV LEFT 1.5 INCH	6	standard spread option - not serviced separately
5	BK550	BLADE KIT - HA550 (6 PAIRS)	1	includes left and right blades
6	HA570R	BLADE FAN MAV RIGHT 2 INCH	6	wide spread option - not serviced separately
6	HA550R	BLADE FAN MAV RIGHT 1.5 INCH	6	standard spread option - not serviced separately
7	HA650C	BLADE STR MAV CARBIDE	96	not serviced separately - see BK650C kit below
7	BK650C	BLADE KIT HA650C (8)	12	
8	N42M-12	NUT LOCK STL M12 C10 YZD	60	
9	B12M-1250	BOLT HEX M12X50 C10.9 YZD	12	

Case 230/240 Series MAV Chopper
 AFX Tailboard Components - Standard spread

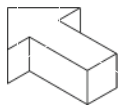
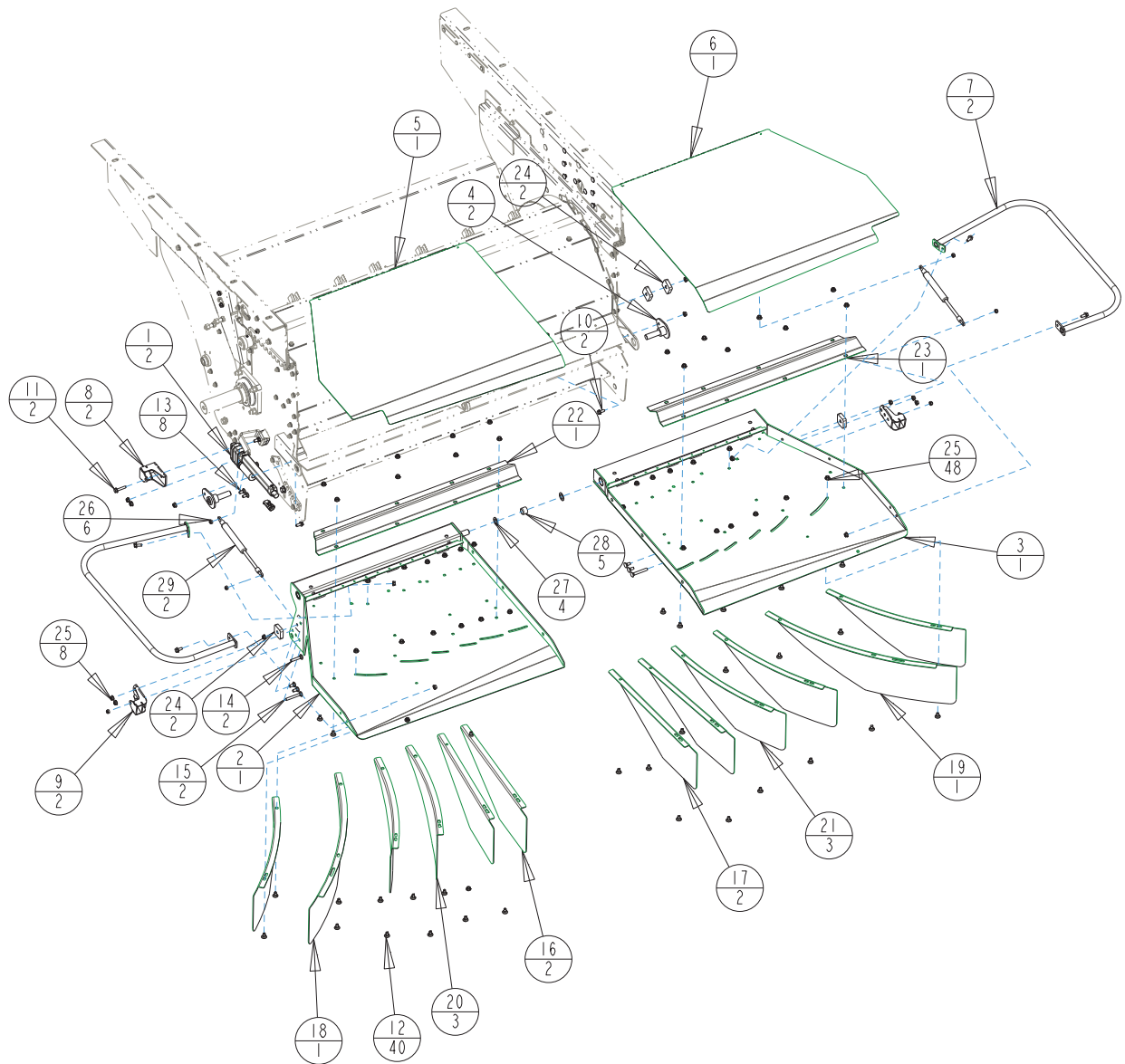
Date: 13-May-16

Serial No Range From: 24350

Serial No Range To: 25014

KEY:

index
qty



1600131

L Indicate implement serial number with any parts order

CaseIH 230/240 MAV Chopper 2
AFX Tailboard Components - Standard Spread

13-May-16

ITEM NO.	PART NO.	DESCRIPTION	QTY	NOTE
1	47421232	ACTUATOR 12V 312L 175ext	2	ALSO AVAILABLE FROM CNH #47421232
2	CG438BL	TAILBOARD 55W LT - Black	2	
3	CG438BR	TAILBOARD 55W RT - Black	2	
4	CG441Z	PIN TAILBOARD PIVOT - YZD	2	
5	CG442BL	DEFLECTOR WINDROW LT - Black	2	
6	CG442BR	DEFLECTOR WINDROW RT - Black	2	
7	CS456B	GUARD TBOARD - Black	2	REPLACED WITH CS171B
8	CS792Z	BRACKET ACTUATOR MOUNT CHOPPER - Black	2	REPLACED WITH CS701Z
9	CS794Z	BRACKET ACTUATOR MOUNT TBOARD - Black	2	REPLACED WITH CS705ZL & CS705ZR
10	B21M-0820	BOLT FLG M8X20 C8.8 YZD	2	
11	B21M-0840	BOLT FLG M8X40 C8.8 YZD	2	
12	B31M-0816	BOLT RH M8x16 C8.8 YZD ISO8677 Short Neck	40	
13	B31M-0820	BOLT RH M8x20 C8.8 YZD ISO8677 Short Neck	8	
14	B36M-0845	BOLT RH M8x45 C8.8 YZD DIN603 Long Neck	2	
15	B36M-0865	BOLT RH M8x65 C8.8 YZD DIN603 Long Neck	2	
16	CG116BL	FIN STR 22L LT - Black	4	
17	CG116BR	FIN STR 22L RT - Black	4	
18	CG119BL	FIN CRV LT 31L - Black	2	
18-19	810-060	KIT CONVERSION MAV TO WIDE SPREAD	1	ALL PARTS REQUIRED FOR CONVERTING FROM STANDARD SPREAD TO WIDE SPREA
19	CG119BR	FIN CRV RT 31L - Black	2	
20	CG120BL	FIN CRV LT 22L - Black	6	
21	CG120BR	FIN CRV RT 22L - Black	6	
22	CG357BL	SUPPORT TBOARD LT 55W - Black	2	
23	CG357BR	SUPPORT TBOARD RT 55W - Black	2	
24	CS793Z	SPACER GAS SHOCK MT 0.5tk - YZD	4	
25	N21M-08	NUT FLG M8 C8 YZD	56	
26	N41M-08	LOCK NUT Stl M8 C8 Yzd Din980V	6	
27	RP108	M.B. .760 id x 1.25od x .06Tk	2	
28	RP109	BUSHING NYLATRON 1.005 x 0.76 x 0.75L GS51	6	
29	RP922	GAS SPRING 220LBS M8 X 1.375 EYE	2	

Case 230/240 Series MAV Chopper
AFX Tailboard Components - Wide Spread

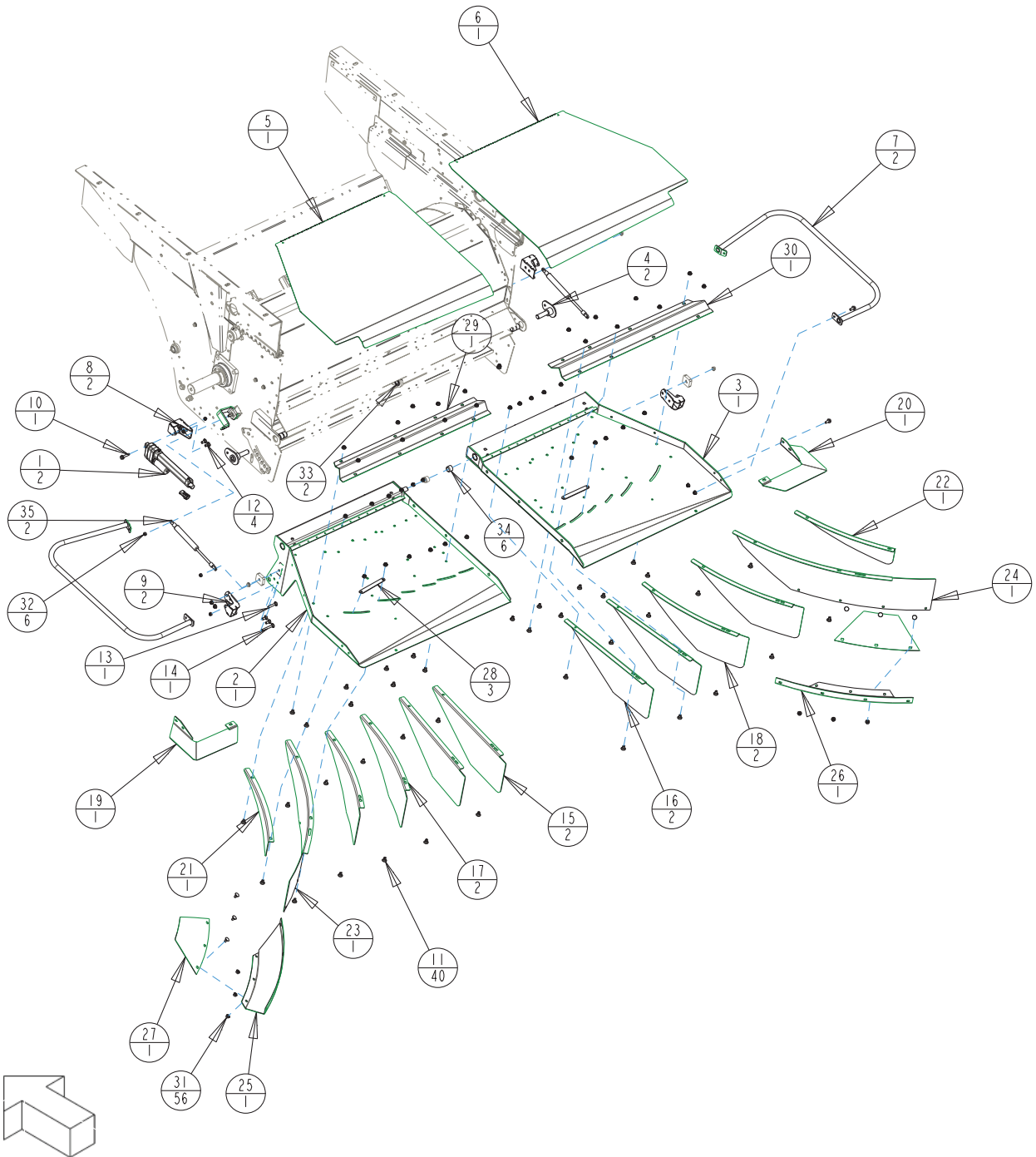
Date: 16-May-16

Serial No Range From:
24350

Serial No Range To:
25014

KEY:

Index
Qty



Indicate implement serial number with any parts order

1600132

CaseIH 230/240 Series MAV Chopper
AFX Tailboard Components - Wide Spread

16-May-16

ITEM NO.	PART NO.	DESCRIPTION	QTY	NOTE
1	47421232	ACTUATOR 12V 312L 175ext	2	ALSO AVAILABLE FROM CNH #47421232
2	CG438BL	TAILBOARD WELDMENT 55W LT - Black	1	
3	CG438BR	TAILBOARD WELDMENT 55W RT - Black	1	
4	CG441W	PIN TAILBOARD PIVOT	2	
5	CG442BL	DEFLECTOR WINDROW LT WIDE - Black	1	
6	CG442BR	DEFLECTOR WINDROW NAR RT - Black	1	
7	CS456B	GUARD TBOARD - Black	2	REPLACED WITH CS171B
8	CS792B	Bracket Actuator Mount Weldment - Black	2	
9	CS794B	BRACKET ACTUATOR MOUNT TBOARD - Black	2	
10	B21M-0840	BOLT FLG M8X40 C8.8 YZD	1	
11	B31M-0816	BOLT RH M8x16 C8.8 YZD ISO8677 Short Neck	40	
12	B31M-0820	BOLT RH M8x20 C8.8 YZD ISO8677 Short Neck	4	
13	B36M-0845	BOLT RH M8x45 C8.8 YZD DIN603 Long Neck	1	
14	B36M-0865	BOLT RH M8x65 C8.8 YZD DIN603 Long Neck	1	
15	CG116BL	FIN STR 22L LT - Black	2	
16	CG116BR	FIN STR 22L RT - Black	2	
17	CG120BL	FIN CRV LT 22L - Black	2	
18	CG120BR	FIN CRV RT 22L - Black	2	
19	CG235BL	EXTENSION TBOARD LT - Black	1	
20	CG235BR	EXTENSION TBOARD RT - Black	1	
21	CG236BL	FIN CRV LT 19L x 4H - Black	1	
22	CG236BR	FIN CRV RT 19L x 4H - Black	1	
23	CG237BL	FIN CRV LT 40L - Black	1	
24	CG237BR	FIN CRV RT 40L - Black	1	
25	CG238BL	BASE WS FIN LT - Black	1	
26	CG238BR	BASE WS FIN RT - Black	1	
22-26	CG120K	KIT CONVERSION WIDE SPREAD TO STD SPREAD	1	INCLUDES FINS AND BLADES
27	CG239B	DEFLECTOR WS FIN - Black	2	
28	CG243B	LINK WSPREAD FINS - Black	2	
29	CG357BL	SUPPORT TBOARD LT 55W - Black	1	
30	CG357BR	SUPPORT TBOARD RT 55W - Black	1	
31	N21M-08	NUT FLG M8 C8 YZD	56	
32	N41M-08	NUT LOCK STL M8 C8 YZD	6	
33	RP108	M.B. .76ID X 1.25OD X .06TK	2	
34	RP109	BUSHING NYL .76 ID 1.005 OD .75L	6	
35	RP922	GAS SPRING 220LBS M8 X 1.375 EYE	2	

Case 230/240 Series MAV Chopper AFX
Windrow Kit

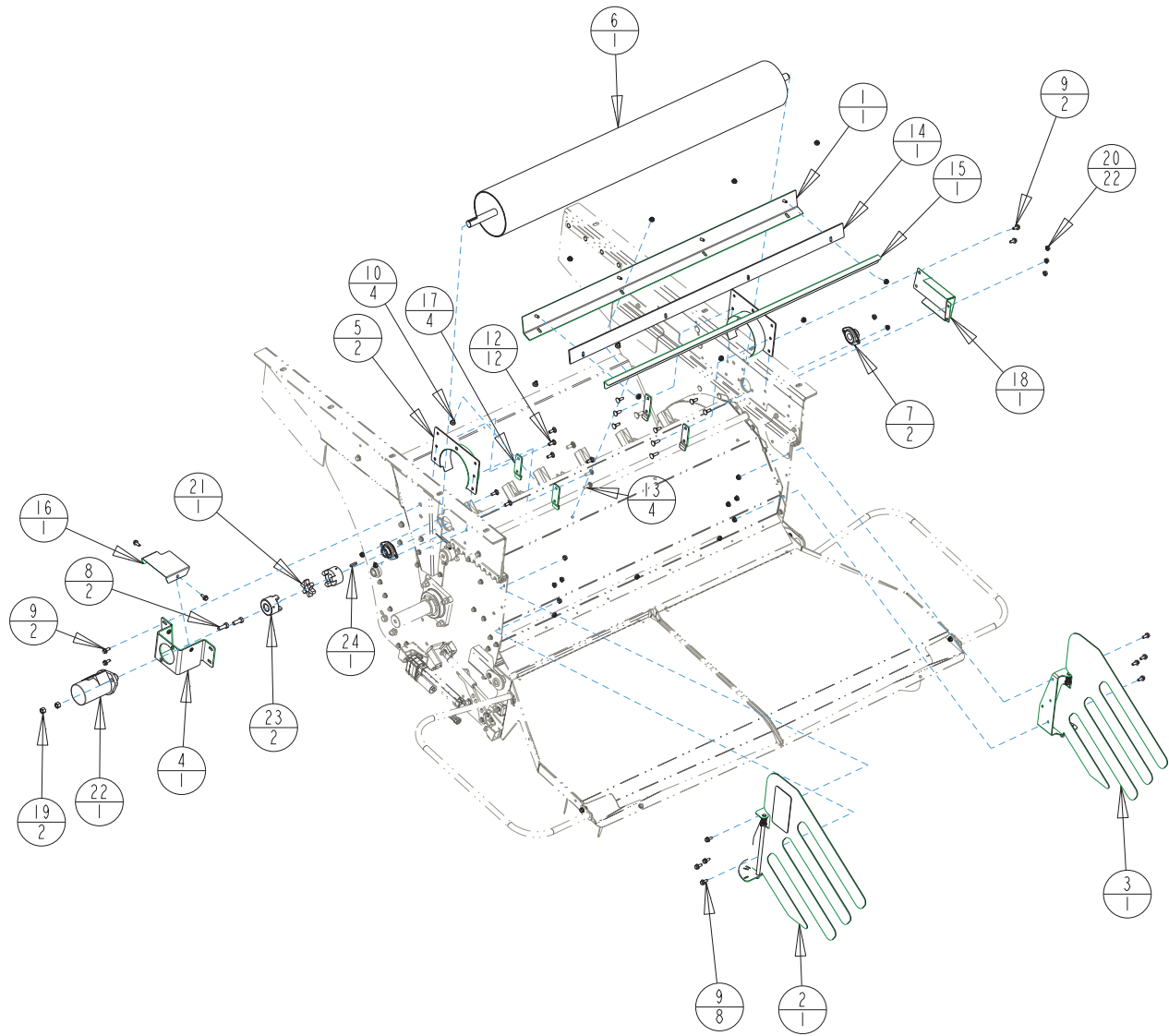
Date: 16-May-16

Serial No Range From: 24350

Serial No Range To: 25014

KEY:

index
qty



1600133

L Indicate implement serial number with any parts order

**Case 230/240 Series MAV Chopper AFX
Windrow Kit**

16-May-16

ITEM NO.	PART NO.	DESCRIPTION	QTY	NOTE
1	CH259B	MOUNT ROLLER STRIPPER /W 55W - Black	2	
2	CS537BAL	Deflector Straw Case IH 40S Lt Assy - Black	1	
3	CS537BAR	Rt Side Deflector Case IH 40S Assy - Black	1	
4	CS555B	MOUNT W/ ROLLER DRV - Black	1	
5	CS558B	COVER ROLLER DISCHARGE TUBE - Black	2	
6	CS568B	ROLLER DISCHARGE AFX - Black	1	
7	RP178A	BEARING FLG STL 2B 1.0 BRG	2	Kit included RP177, RP178, RP179
8	B11M-1235	BOLT HEX M12X35 C8.8 YZD	6	
9	B21M-0820	BOLT FLG M8X20 C8.8 YZD	48	
10	B31M-0816	BOLT RH M8x16 C8.8 YZD ISO8677 Short Neck	50	
11	B31M-0820	BOLT RH M8x20 C8.8 YZD ISO8677 Short Neck	26	
12	B31M-0825	BOLT RH M8x25 C8.8 YZD ISO8677 Short Neck	12	
13	B31M-0830	BOLT RH M8x30 C8.8 YZD ISO8677 Short Neck	4	
14	CH260-01	PLASTIC WEAR STRIP 55W	2	
15	CH272B	BRACKET ROLLER WIPER 55W - Black	2	
16	CS556B	COVER ROLLER DRV MNT - Black	1	
17	CS559B	Support Tube Discharge Cover Bracket - Black	4	
18	CS571B	COVER ROLLER BEARING - Black	1	
19	N11M-12	NUT HEX M12 C8 YZD	10	
20	N21M-08	NUT FLG M8 C8 YZD	22	
21	RP125	COUPLING LJ SPIDER	1	
22	RP180	MOTOR HYD EATON H 5.9 2B 1in Shaft	1	
23	RP181	COUPLING LJ 1.00	2	
24	RP932	Key Square .25 x .25 x 1.1 L	3	

Case 230/240 Series MAV Chopper
AFX Internal Deflectors

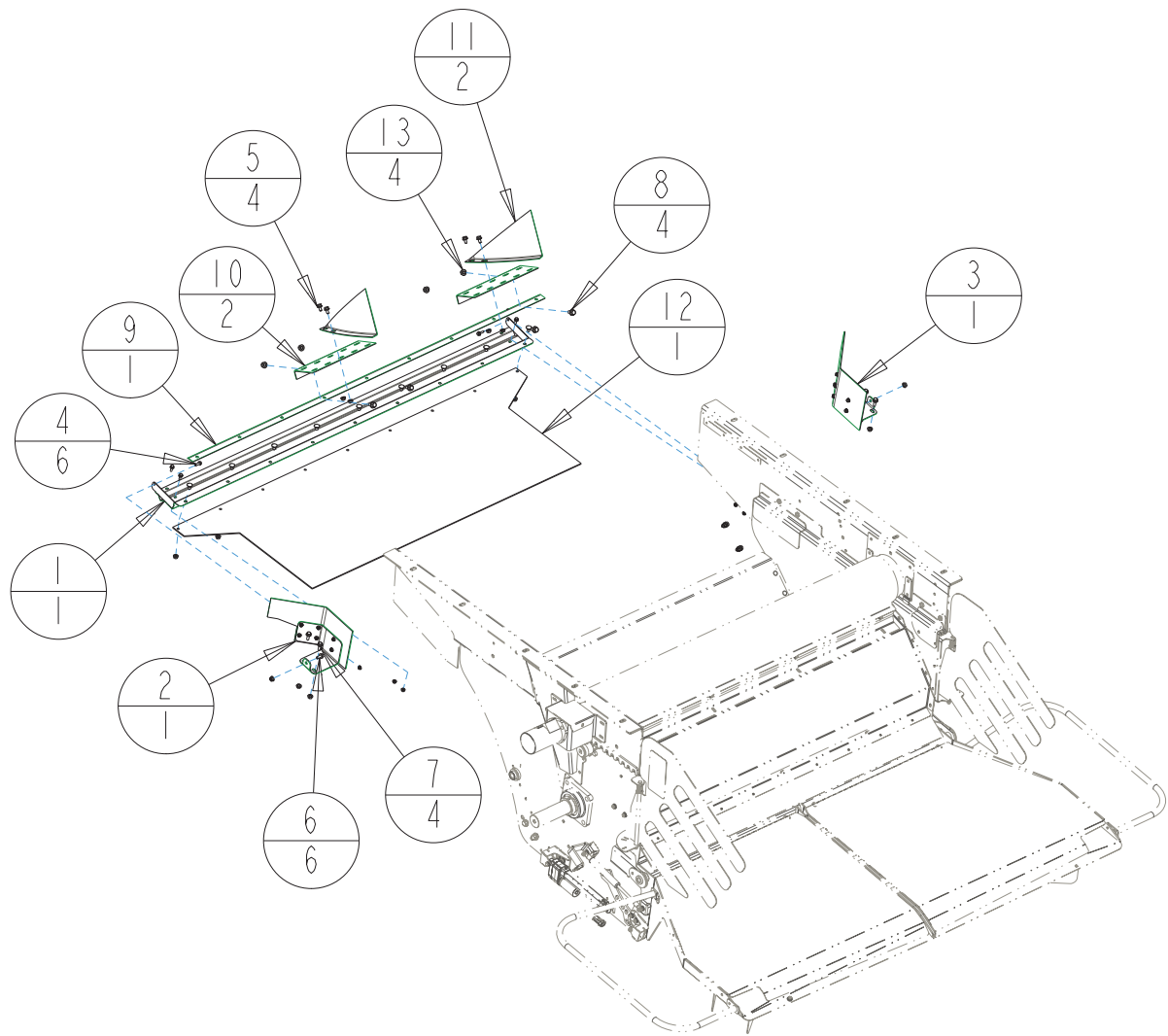
Date: 17-May-16

Serial No Range From: 24350

Serial No Range To: 25014

KEY:

index
qty



1600134

L Indicate implement serial number with any parts order

Case 230/240 Series MAV Chopper
AFX Internal Deflectors

17-May-16

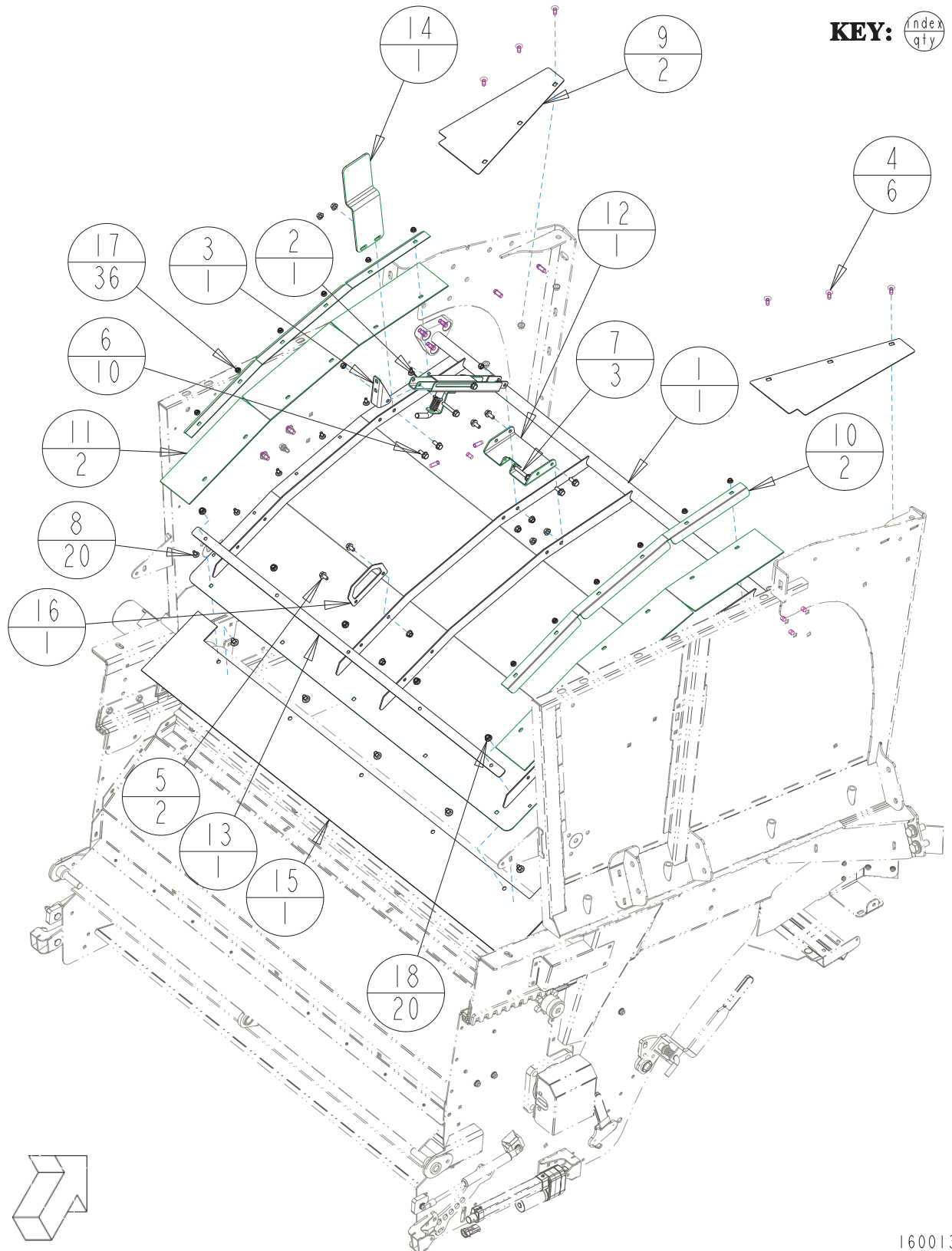
ITEM NO.	PART NO.	DESCRIPTION	QTY	NOTE
1	CS484B	SIEVE EXT AFX 230/240 - Black	1	
2	CS599BAL	ASSY LT CHAFF DEFLECT - Black	1	
3	CS599BAR	DEFLECTOR AFX CHAFF RT - Black	1	
4	B21M-0620	BOLT FLG M6X20 C8.8 YZD	6	
5	B21M-0816	BOLT FLG M8X16 C8.8 YZD	4	
6	B21M-0820	BOLT FLG M8X20 C8.8 YZD	6	
7	B21M-0825	BOLT FLG M8X25 C8.8 YZD	4	
8	B21M-1020	BOLT FLG M10X20 C8.8 YZD	4	
9	CH514B	STRAP WIDE SIEVE EXTENSION 66.5 L - Black	1	
10	CS153B	INTERNAL BAFFLE 7010/8010 - Black	2	REPLACED BY CS170B
11	CS202B	FIN INTERNAL STRAW DEFLECT LT - Black	2	REPLACED BY CS921B
12	CS600-01	BELT AFX 40S WIDE SIEVE EXT	1	
13	N21M-10	NUT FLG M10 C8 YZD	4	

Case 230/240 Series MAV Chopper AFX
Straw Door Components

Date: 19-May-16

Serial No Range From: 24350

Serial No Range To: 25014



1600135

Indicate implement serial number with any parts order

**Case 230/240 Series MAV Chopper AFX
Straw Door Componets**

19-May-16

ITEM NO.	PART NO.	DESCRIPTION	QTY	NOTE
1	CS832B	DOOR AFX STRAW - Black	1	
2	CS861BA	LINKAGE AFX STRAW DOOR ASSY - Black	1	
3	84127250	PIVOT ACTUATOR	1	also available from CNH as #84127250
4	B31M-0816	Bolt RH M8 x 16 C8.8 Yzd Iso8677	6	also available from CNH as #87682383
5	B21M-0816	BOLT FLG M8X16 C8.8 YZD	2	
6	B21M-0820	BOLT FLG M8X20 C8.8 YZD	10	
7	B21M-0850	BOLT FLG M8X50 C8.8 YZD	3	
8	B31M-0616	BOLT RH M6X16 C8.8 YZD	20	
9	CS468B	FILLER PLATE FOR COMBINE ROOF - Black	2	
10	CS491B	CASE DOOR SUPPORT STRIPES - Black	2	
11	CS492-01	BELT AFX STRAW DOOR - Rubber	2	
12	CS603B	BRACKET STR DOOR ACTR - Black	1	
13	CS844B	STRAP AFX STRAW DOOR BTM BELT - Black	1	
14	CS852B	TARGET STRAW DOOR PROXIMITY - Black	1	REPLACED BY CS943B
15	CS853-01	BELTING AFX STRAW DOOR - Rubber	1	REPLACED BY CS938-01
16	CS878B	HANDLE STRAW DOOR - Black	1	
17	N21M-06	NUT FLG M6 C8 YZD	20	
18	N21M-08	NUT FLG M8 C8 YZD	20	

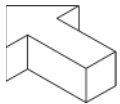
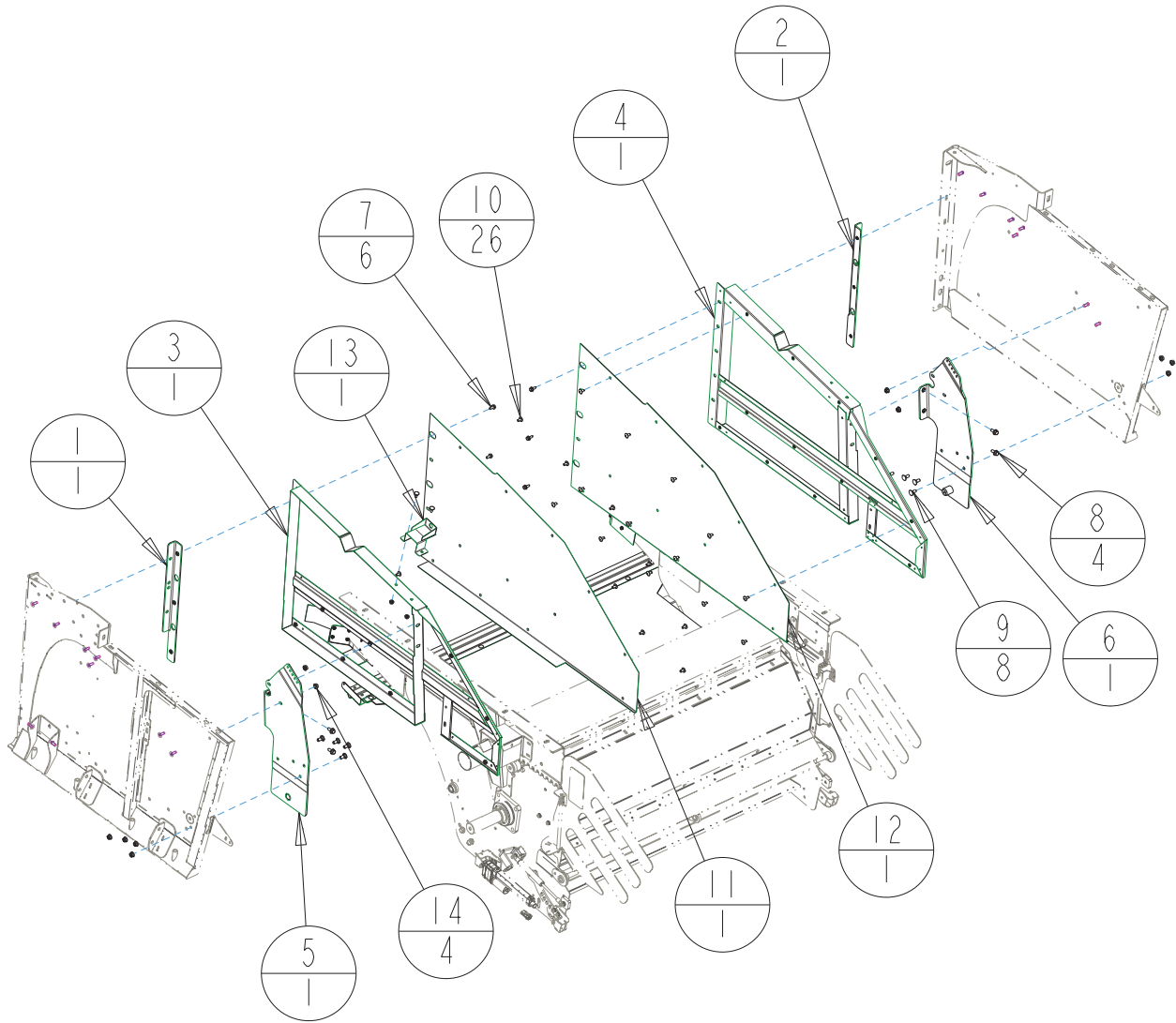
Case 230/240 Series MAV Chopper AFX
Ladder Kit Mounts

Date: 19-May-16

Serial No Range From: 24350

Serial No Range To: 25014

KEY: 



1600136

L Indicate implement serial number with any parts order

Case 230/240 Series MAV Chopper AFX**Ladder Kit Mounts**

19-May-16

ITEM NO.	PART NO.	DESCRIPTION	QTY	NOTE
1	CS811BL	BRACKET FRONT SUBWALL MT LT - Black	1	
2	CS811BR	BRACKET FRONT SUBWALL MT RT - Black	1	
3	CS812BL	FRAME LEFT SIDEWALL - Black	1	
4	CS812BR	FRAME RIGHT SIDEWALL - Black	1	
5	CS822BL	MOUNT LADDER LEFT - Black	1	
6	CS822BR	MOUNT LADDER RIGHT - Black	1	
7	B21M-0820	BOLT FLG M8X20 C8.8 YZD	6	
8	B21M-1025	BOLT FLG M10X25 C8.8 YZD	4	
9	B31M-1025	BOLT RH M10X25 C8.8 YZD SHORT NECK	8	
10	B38M-0816	BOLT RH ALLEN M8x16 C8.8 YZD DIN11252 No Neck	26	
11	CS843BL	PANEL LEFT LADDER WALL COVER - Black	1	
12	CS843BR	PANEL RIGHT LADDER WALL COVER - Black	1	
13	CS851B	BRACKET DOOR PROXIMITY SENSOR - Black	1	
14	N21M-10	NUT FLG M10 C8 YZD	4	

Case 230/240 Series MAV Chopper AFX
Ladder Kit Components

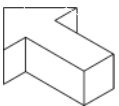
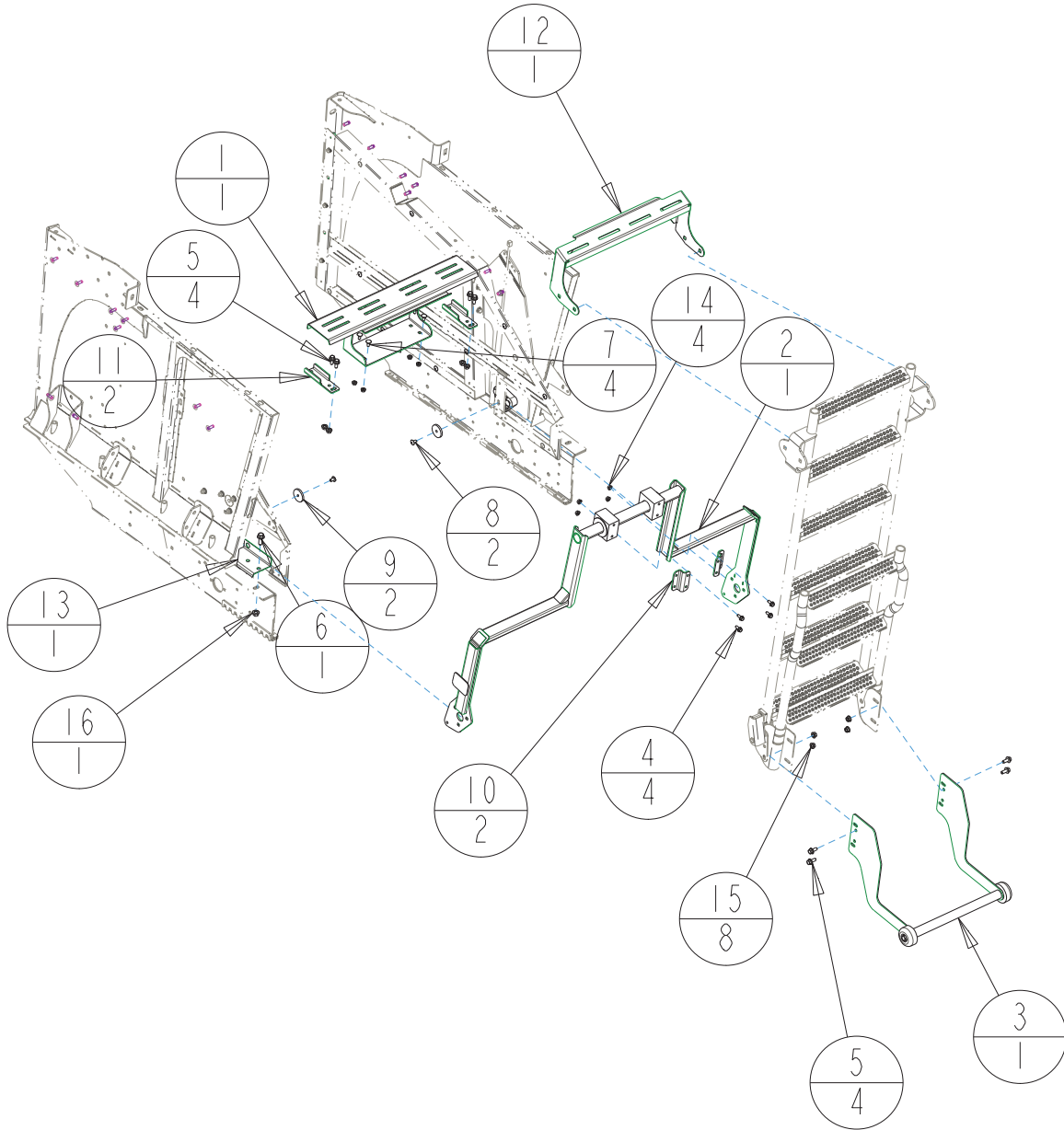
Date: 19-May-16

Serial No Range From: 24350

Serial No Range To: 25014

KEY:

index
qty



1600137

L Indicate implement serial number with any parts order

Case 230/240 Series MAV Chopper AFX
Ladder Kit Components

19-May-16

ITEM NO.	PART NO.	DESCRIPTION	QTY	NOTE
1	CS814B	STEP TOP LADDER - Black	1	
2	CS820B	CASE IH LADDER LEVER - Black	1	
3	CS854BA	HANDLE LADDER AFX ASSY - Black	1	REPLACED WITH CS949B, CS950B, CS951BL AND CS951BR
4	B21M-0820	BOLT FLG M8X20 C8.8 YZD	10	
5	B21M-1025	BOLT FLG M10X25 C8.8 YZD	12	
6	B21M-1235	BOLT FLG M12X35 C8.8 YZD	1	
7	B31M-0820	BOLT RH M8x20 C8.8 YZD ISO8677 Short Neck	6	
8	B38M-0816	BOLT RH ALLEN M8x16 C8.8 YZD DIN11252 No Neck	26	
9	CS812Z	PLATE SPACER LDR PVT - YZD	2	
10	CS819B	SPACER LADDER - Black	2	
11	CS836B	BRACKET LDR RAIL RELOCATE - Black	2	
12	CS842B	BRACKET LADDER STOP - Black	1	
13	CS857B	PLATE LADDER SENSOR MNT - Black	1	
14	N21M-08	NUT FLG M8 C8 YZD	40	
15	N21M-10	NUT FLG M10 C8 YZD	30	
16	N21M-12	NUT FLG M12 C8 YZD	1	

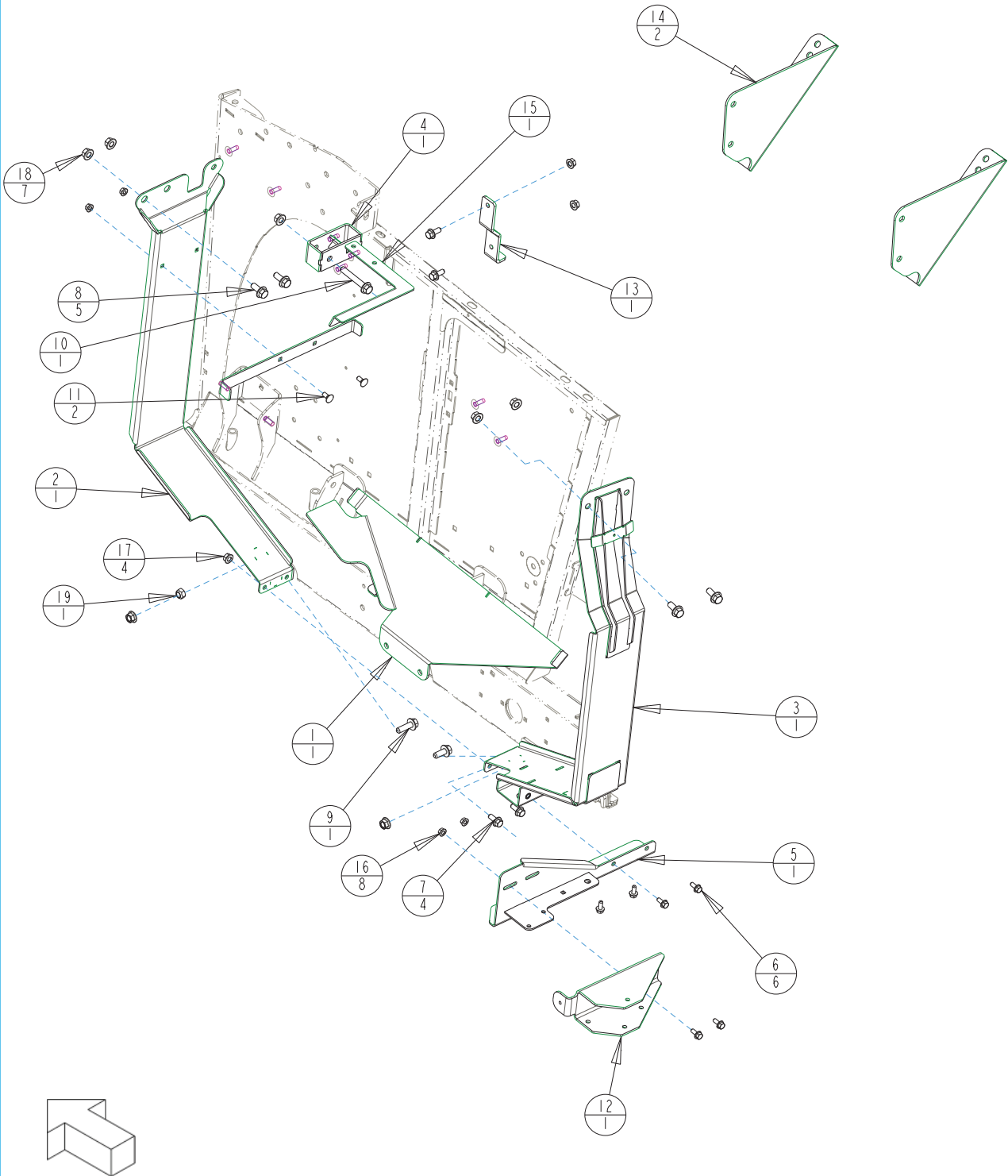
Case 230/240 Series MAV Chopper AFX
Def tank Mounts

Date:20-May-16

Serial No Range From:
24350

Serial No Range To:
25014

KEY: 



1600138

Indicate implement serial number with any parts order _____

Case 230/240 Series MAV Chopper AFX
Def Tank Mounts

19-May-16

ITEM NO.	PART NO.	DESCRIPTION	QTY	NOTE
1	CS826B	BTM DEF MOUNT - BLACK	1	
2	CS827B	HANGER FRONT DEF - BLACK	1	REPLACED WITH CS890B
3	CS829B	BRACKET REAR DEF HANGER - BLACK	1	
4	CS830B	CHANNEL SPACER - BLACK	1	
5	CS831B	ARM PANEL LATCH - BLACK	1	
6	B21M-0820	BOLT FLG M8X20 C8.8 YZD	6	
7	B21M-1025	BOLT FLG M10X25 C8.8 YZD	4	
8	B21M-1230	BOLT FLG M12X30 C8.8 YZD	5	
9	B21M-1240	BOLT FLG M12X40 C8.8 YZD	1	
10	B21M-1280	BOLT FLG M12X80 C8.8 YZD	1	
11	B31M-0820	BOLT RH M8x20 C8.8 YZD ISO8677 SHORT NECK	2	
12	CS786B	BRACKET SHROUD LATCH - BLACK	1	
13	CS835B	BRACKET DEF VENT MT - BLACK	1	
14	CS862B	BRACKET 30S AFX AIR TNK MT - BLACK	2	
15	CS875B	BRACKET DEF FILL GUARD - BLACK	1	
16	N21M-08	NUT FLG M8 C8 YZD	8	
17	N21M-10	NUT FLG M10 C8 YZD	4	
18	N21M-12	NUT FLG M12 C8 YZD	7	
19	N41M-12	NUT LOCK STL M12 C8 YZD	1	

CaseIH 230/240 Series MAV Chopper
Chopper Drive Mount Components

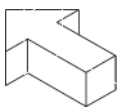
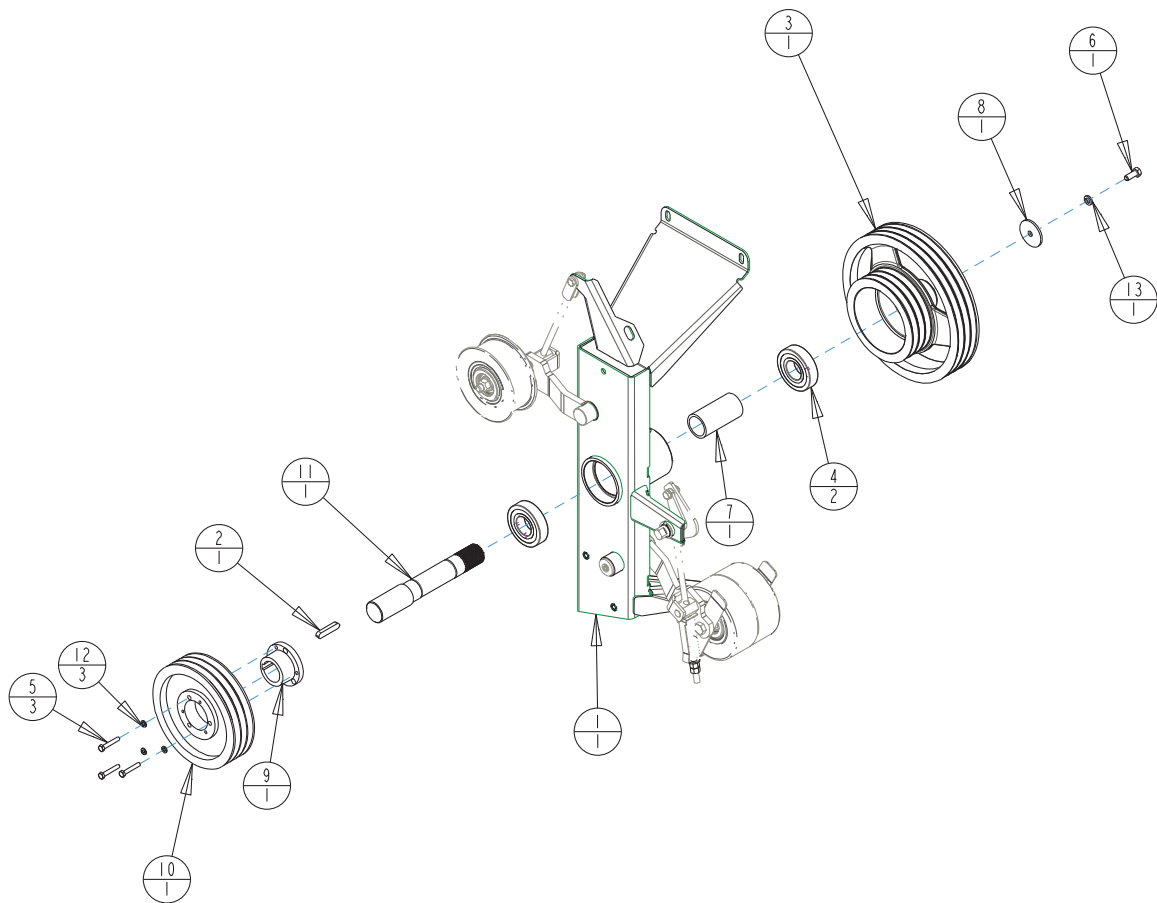
Date:16-Feb-16

Serial No Range From:
JS001

Serial No Range To:
JS070

KEY:

index
qty



Indicate implement serial number with any parts order

1600124C

Case 230/240 Series MAV Chopper
Chopper Drive Components 3B Drive

16-Feb-16

ITEM NO.	PART NO.	DESCRIPTION	QTY	NOTE
1	CS771M	JACKSHAFT MACHINED AFX 3B	1	
2	323624	KEY 14 MM X 9 MM X 63 MM L	1	AVAILABLE FROM CNH PART #323624
3	84188127	PULLEY 3B x 2 DRIVER JACKSHAFT	1	AVAILABLE FROM CNH PART #84188127
4	87624213	BEARING BALL FLAT 45ID 100OD 25W	2	AVAILABLE FROM CNH PART #87624213
5	B11M-0850	BOLT HEX M8X50 C8.8 YZD	3	
6	B11M-1230	BOLT HEX M12X30 C8.8 YZD	1	
7	CS776Z	SLEEVE CASE JSHAFT	1	
8	CS777Z	WASHER .5 X 2.5 X .188TK	1	
9	RP291	BUSHING TAPER SK 50MM ID	1	
10	RP387	SHEAVE 3B 9.4PD SK	1	
11	RP920	SHAFT JACKSHAFT AFX	1	
12	W21M-08	WASHER HELICAL LOCK M8	3	
13	W21M-12	WASHER HELICAL LOCK M12	1	

Case 230/240 Series MAV Chopper
Chopper Upper Arm Pivot Support Components

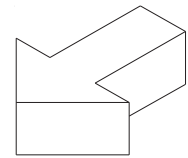
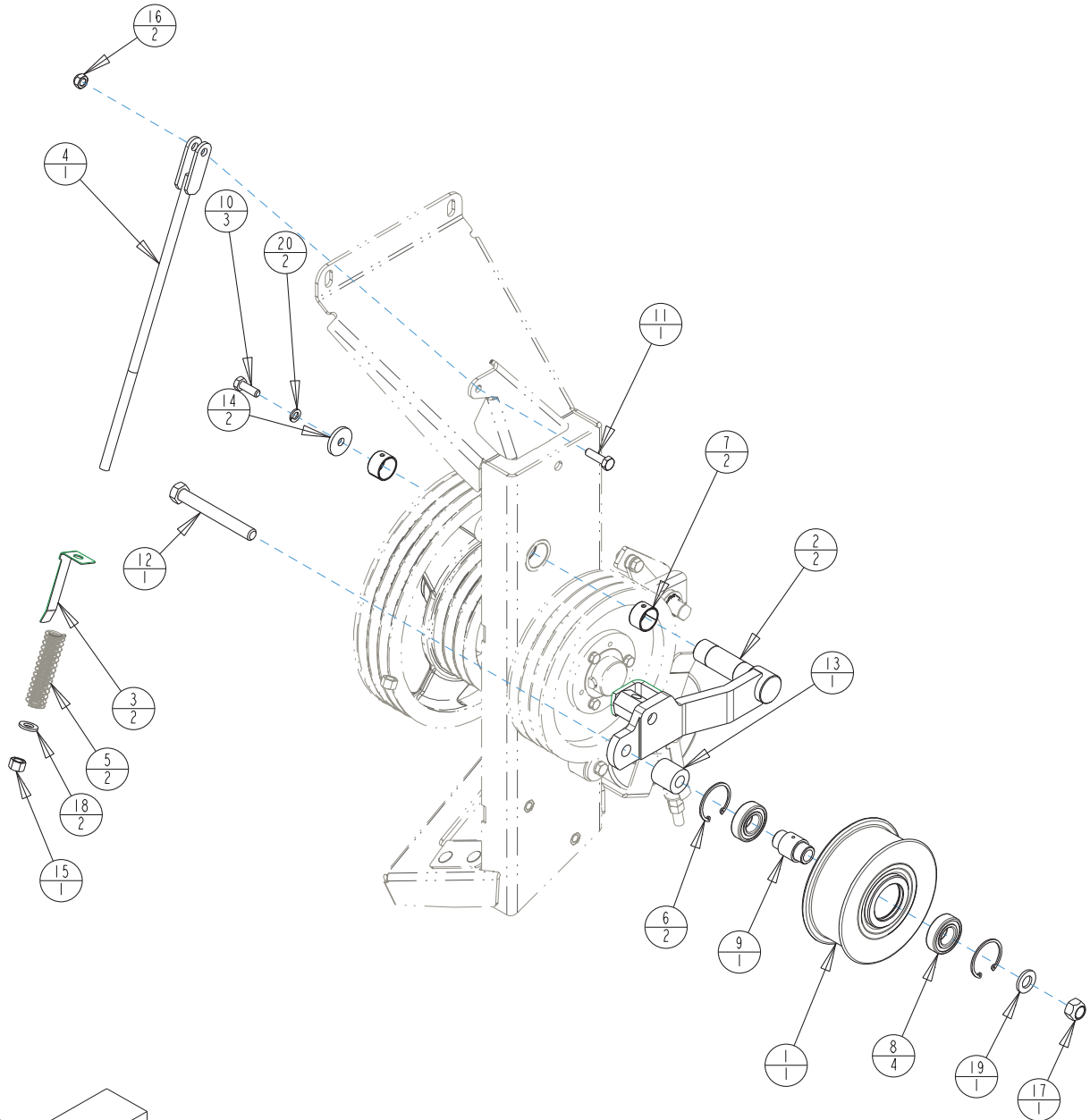
Date: 16-Feb-16

Serial No Range From:
JS001

Serial No Range To:
JS070

KEY:

index
qty



Indicate implement serial number with any parts order _____

1600125C

Case 230/240 Series MAV Chopper
Chopper Upper Arm Pivot Support Components 3B Drive

16-Feb-16

ITEM NO.	PART NO.	DESCRIPTION	QTY	NOTE
1	84072441	IDLER ASSY	1	AVAILABLE FROM CNH PART #84072441
2	84217450	IDLER ASSY - BLACK	2	AVAILABLE FROM CNH PART #84217450
3	84522760	INDICATOR SPRING IDLER - YZD	2	AVAILABLE FROM CNH PART #84522760
4	CS785Z	LINK TENSION 18L	1	
5	337829	SPRING-C 5 WR 26.5 OD 125MML YZD	2	AVAILABLE FROM CNH PART #337829
6	370011	CIRCLIP M52 x 2	2	AVAILABLE FROM CNH PART #370011
7	420434	BUSHING DX 30ID x 20L	4	AVAILABLE FROM CNH PART #420434
8	443898	BEARING IDLER	4	AVAILABLE FROM CNH PART #443898
9	84287963	SPINDLE IDLER	1	AVAILABLE FROM CNH PART #84287963
10	B11M-1030	BOLT HEX M10X30 C8.8 YZD	3	
11	B11M-1035	BOLT HEX M10X35 C8.8 YZD	1	
12	B11M-16130	BOLT HEX M16X130 C8.8 YZD	1	
13	CS778Z	SPACER 0.656 ID X 1.375 OD X 1.375L	1	
14	CS779Z	WASHER .438 X 1.563 X .188TK	2	
15	N11M-12	NUT HEX M12 C8 YZD	4	
16	N41M-10	NUT LOCK STL M10 C8 YZD	2	
17	N41M-16	NUT LOCK STL M16 C8 YZD	1	
18	W11M-12	WASHER FLAT M12X25.4X2.8 YZD	2	
19	W11M-16	WASHER FLAT M16X32X3.5 YZD	1	
20	W21M-10	WASHER HELICAL LOCK M10	2	

Case 230/240 Series MAV Chopper
Chopper Lower Arm Pivot Support Components 3B Drive

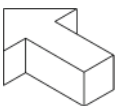
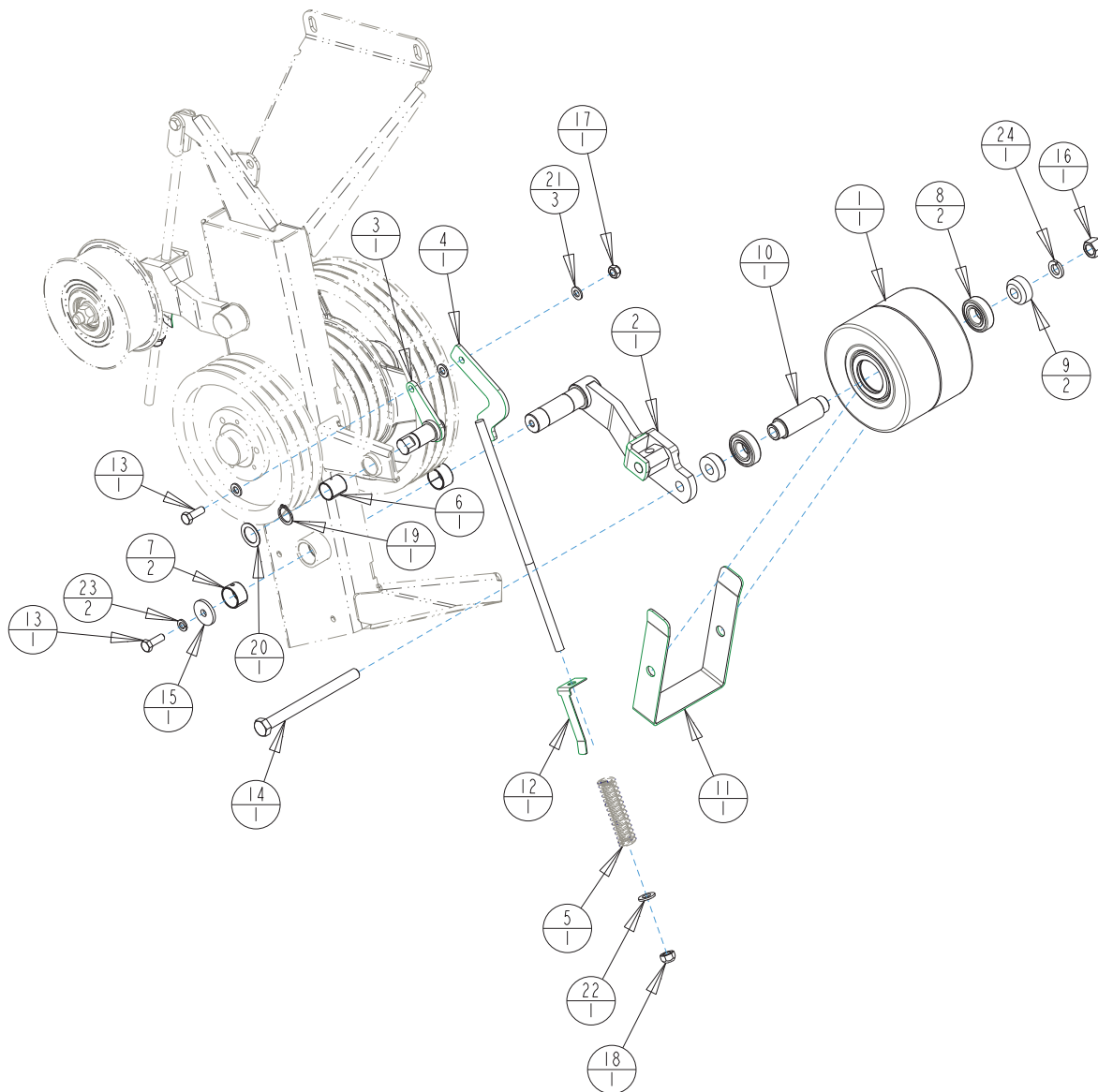
Date:16-Feb-16

Serial No Range From:
JS001

Serial No Range To:
JS070

KEY:

index
qty



1600126C

Indicate implement serial number with any parts order

Case 230/240 Series MAV Chopper
Chopper Lower Arm Pivot Support Components 3B Drive

16-Feb-16

ITEM NO.	PART NO.	DESCRIPTION	QTY	NOTE
1	8421105	IDLER ASSY FLAT	1	AVAILABLE FROM CNH PART #8421105
2	84217450	PIVOT ARM / SUPPORT - Black	1	AVAILABLE FROM CNH PART #84217450
3	84221090	IDLER TENSION PIVOT - YZD	1	AVAILABLE FROM CNH PART #84221090
4	CS781Z	TENSION ROD AFX JACKSHAFT - YZD	1	
5	337829	COMPRESSION SPRING	1	AVAILABLE FROM CNH PART #337829
6	395589	BUSHING DX 25ID x 30L	1	AVAILABLE FROM CNH PART #395589
7	420434	BUSHING DX 30ID x 20L	2	AVAILABLE FROM CNH PART #420434
8	443898	BEARING IDLER	2	AVAILABLE FROM CNH PART #443898
9	84007680	SPACER IDLER	2	AVAILABLE FROM CNH PART #84007680
10	84221086	SLEEVE FLAT IDLER	1	AVAILABLE FROM CNH PART #84221086
11	84230557	GUIDE PLATE IDLER - BLACK	1	AVAILABLE FROM CNH PART #84230557
12	84522760	INDICATOR SPRING IDLER YZD	1	AVAILABLE FROM CNH PART #84522760
13	B11M-1030	BOLT HEX M10 x 30 C8.8 YZD ISO4017	2	
14	B11M-16190	BOLT HEX M16 x 190 C8.8 YZD ISO4014	1	
15	CS779Z	WASHER .438 x 1.563 x .188tk - YZD	1	
16	N11M-16	NUT HEX M16 C8 YZD ISO4032	1	
17	N41M-10	NUT LOCK STL M10 C8 YZD DIN980V	1	
18	N41M-12	NUT LOCK STL M12 C8 YZD DIN980V	1	
19	Q21M-25	RING SNAP EXT M25 YZD	1	
20	RP116	M.B. 1.015 id x 1.5 od .03Tk	1	
21	W11M-10	WASHER FLAT M10 x 20 x 2.3 YZD	3	
22	W11M-12	WASHER FLAT M12 x 24 x 2.5 YZD	1	
23	W21M-10	WASHER HELICAL LOCK M10	2	
24	W21M-16	WASHER HELICAL LOCK M16	1	

Case 230/240 Series MAV Chopper
 Collector AFX Drive Components 3B Drive

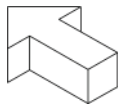
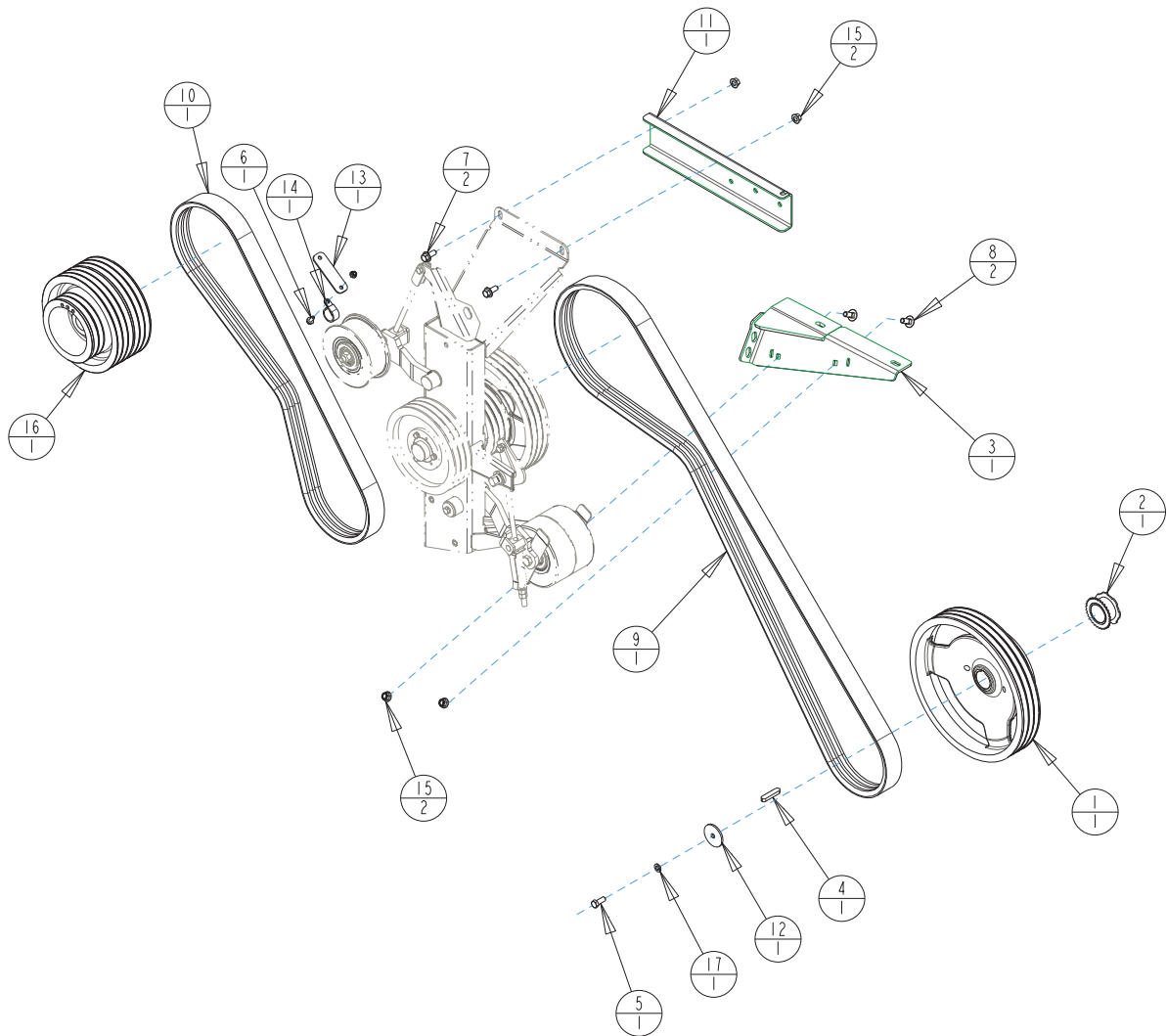
Date:16-Feb-16

Serial No Range From:
 JS001

Serial No Range To:
 JS070

KEY:

index
qty



Indicate implement serial number with any parts order

1600127C

Case 230/240 Series MAV Chopper
AFX Drive Components 3B Drive

16-Feb-16

ITEM NO.	PART NO.	DESCRIPTION	QTY	NOTE
1	84188124	PULLEY 3B x 2 CHOPPER	1	AVAILABLE FROM CNH PART #84188124
2	CS788Z	SPEED SENSOR AFX 7T / 30T - YZD	1	
3	CS796B	GUSSET AFX COMBINE HOOD LT	1	
4	323624	KEY 14 mm X 9 mm X 63 mm L	2	AVAILABLE FROM CNH PART #323624
5	B11M-1230	BOLT HEX M12X30 C8.8 YZD	2	
6	B21M-0820	BOLT FLG M8X20 C8.8 YZD	1	
7	B21M-1230	BOLT FLG M12X30 C8.8 YZD	2	
8	B31M-1230	BOLT RH M12X30 C8.8 YZD ISO8677 Sh	2	
9	BE3B135K	VBELT 3B 135L KEVLAR	1	
10	BE3B88K	VBELT 3B 88L KEVLAR	1	
11	CS772B	GUSSET JACKSHAFT MOUNT - BLACK	1	
12	CS777Z	WASHER .5 x 2.5 x .188tk - YZD	1	
13	CS874B	STRAP AFX SUMP LINE - YZD	1	REPLACED BY CS874Z
14	H99-20	TUBE STRAP 1.25 OD ZN RUBBER	1	
15	N21M-12	NUT FLG M12 C8 YZD	4	
16	RP918	SHEAVE REDEKOP DRIVE	1	
17	W21M-12	WASHER HELICAL LOCK M12	2	

Case 230/240 Series MAV Chopper
AFX Collector Drive Components 3B Drive

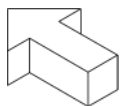
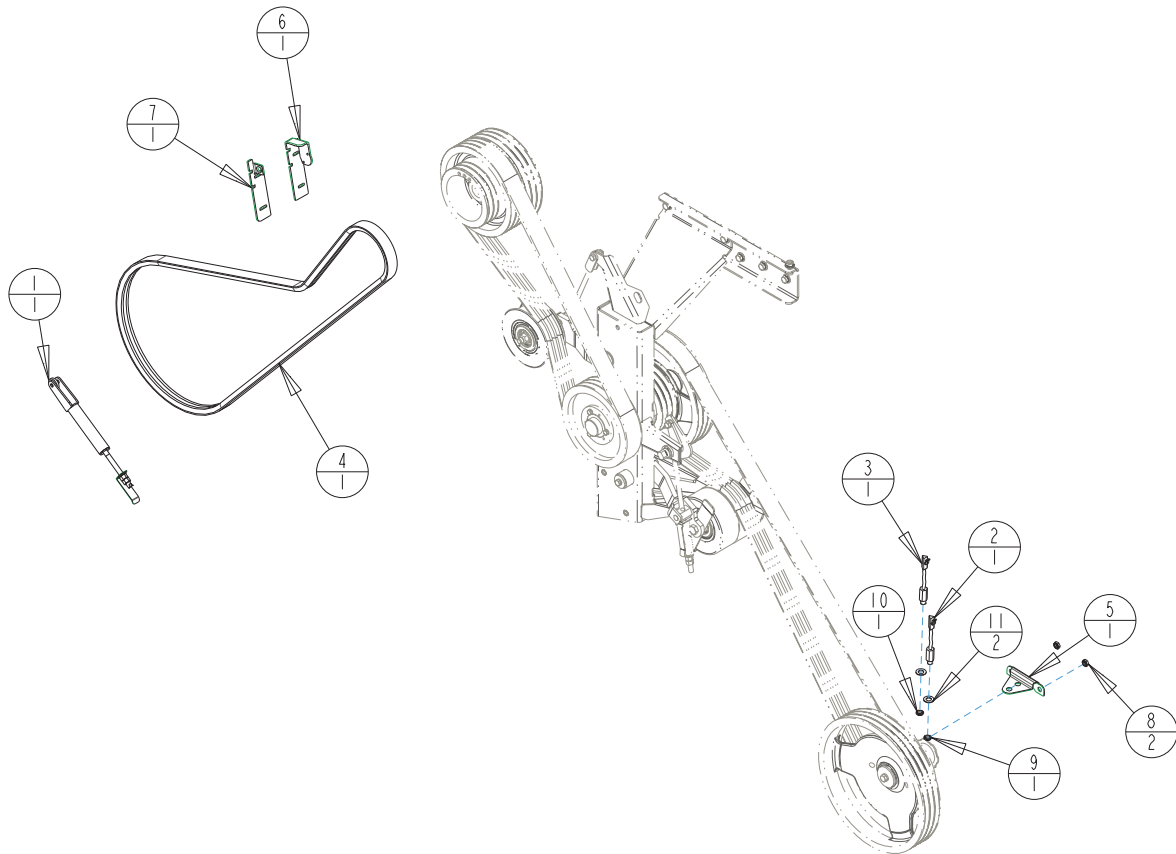
Date:16-Feb-16

Serial No Range From:
JS001

Serial No Range To:
JS070

KEY:

index
qty



1700188C

Indicate implement serial number with any parts order _____

Case 230/240 Series MAV Chopper
AFX Drive Components 3B Drive

16-Feb-16

ITEM NO.	PART NO.	DESCRIPTION	QTY	NOTE
1	CS784BA	SPRING ASSY INTERNAL CHOPPER HS - Black	1	
2	47421734	SENSOR AFX SPREADER SPD 74CC MY13	1	ALSO AVAILABLE CNH PART #47421734
3	87662556	SENSOR AFX CHOPPER SPD 90CC MY14	1	ALSO AVAILABLE CNH PART #87662556
4	BE2B117K	VBELT 2B x 117L	1	
5	CS833Z	MOUNT PLATE AFX SPD SENSOR - YZD	1	
6	CS837Z	BRACKET NOTCHED 240 SERIES KBAR	1	
7	CS838Z	BRACKET NOTCHED 230, 20, 10 SERIES KBAR	1	
8	N31M-12	NUT JAM M12 C8 YZD	2	
9	N38-08	NUT JAM .5-20 UNF GR5 ZN	1	
10	N38-0932	NUT JAM .563-32 UN GR5 ZN	1	
11	W11-09	WASHER FLAT .563 ID ZN	2	

Case 230/240 Series MAV Chopper
AFX Drive Shields

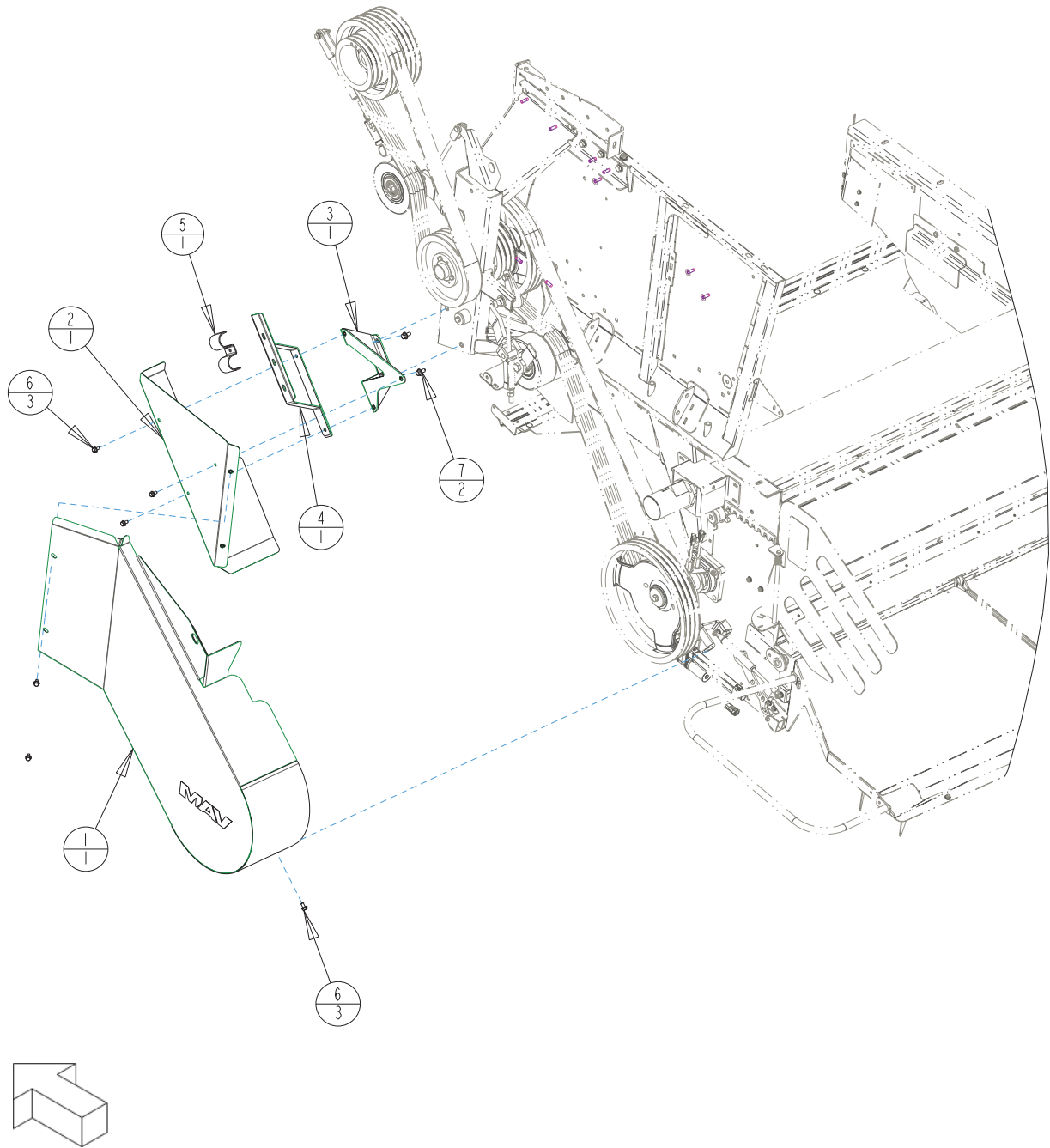
Date:20-May-16

Serial No Range From:
24350

Serial No Range To:
25014

KEY:

index
qty



1600139

Indicate implement serial number with any parts order

Case 230/240 Series MAV Chopper
AFX Drive Shields

19-May-16

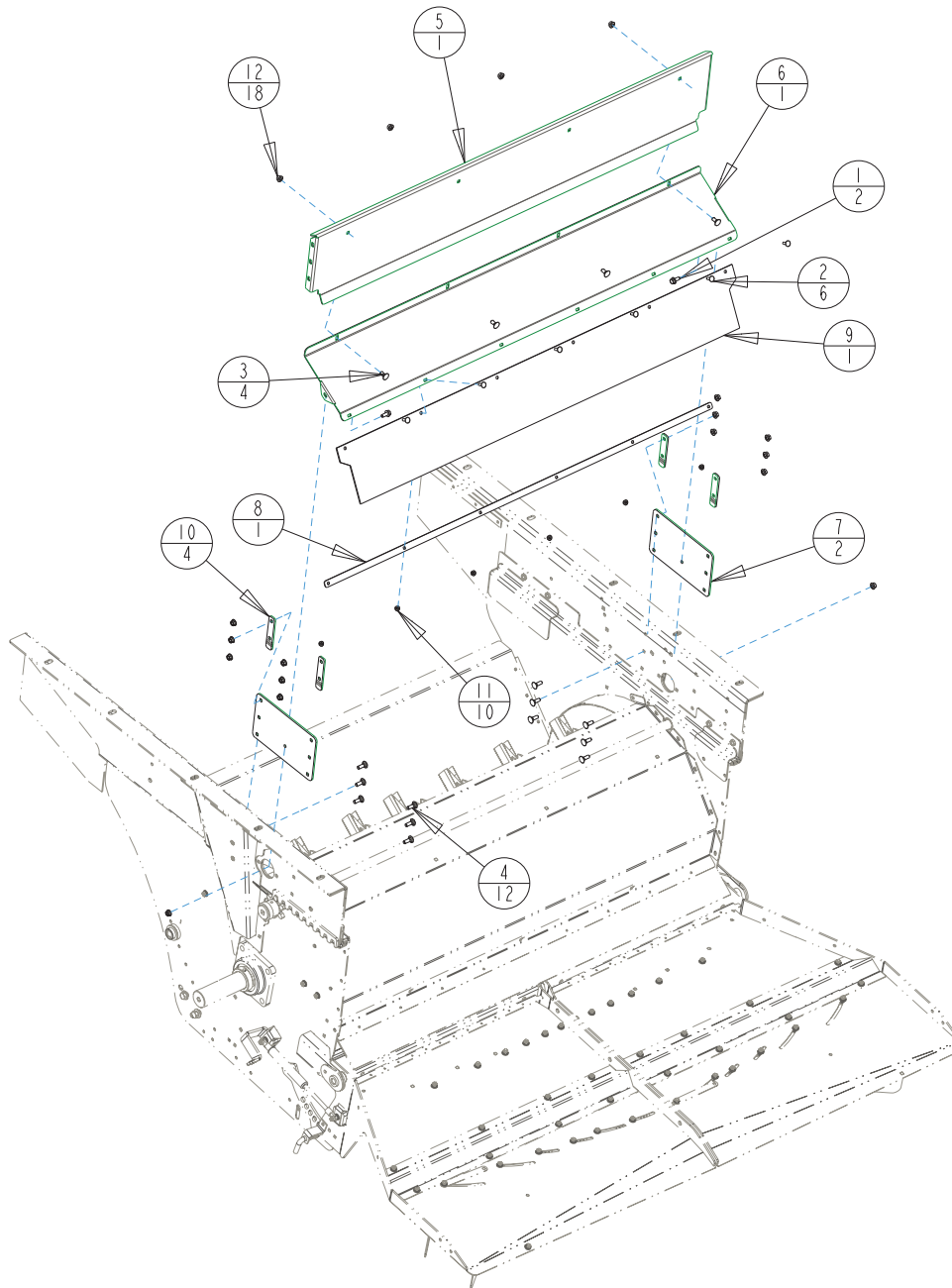
ITEM NO.	PART NO.	DESCRIPTION	QTY	NOTE
1	CS782B	SHIELD CASE AFX	1	
2	CS783B	SHIELD UPPR AFX	1	
3	CS791B	UPPER SHIELD TOP MT	1	
4	CS841B	BRACKET HYD DRV LINES	1	
5	84444101	HOSE CLAMP HYD DRIVE LINES	1	AVAILABLE FROM CNH PART #84444101
6	B21M-0816	BOLT FLG M8X16 C8.8 YZD	6	
7	B21M-1020	BOLT FLG M10X20 C8.8 YZD	2	

Case 230/240 Series MAV Chopper
NA Window Replacement Option

Date:26-May-2016

Serial No Range From:
24350

Serial No Range To:
25014



1600140

Indicate implement serial number with any parts order

CaseIH 230/240 Series MAV Chopper
NA Windrow Replacement Option

26-May-16

TEM NO	PART NO.	DESCRIPTION	QTY	NOTE
1	B21M-0820	BOLT FLG M8X20 C8.8 YZD	2	
2	B31M-0620	BOLT RH M6X20 C8.8 YZD	6	
3	B31M-0820	BOLT RH M8x20 C8.8 YZD ISO8677 SHORT NECK	4	
4	B31M-0825	BOLT RH M8x25 C8.8 YZD ISO8677 SHORT NECK	12	
5	CS631B	WALL CHP REAR 55W - BLACK	1	
6	CS637B	COVER PLATE CHPR HOOD - BLAC	1	
7	CS638B	PANEL SIDE LT AFX - BLACK	2	
8	CS642B	STRAP REAR RUBBER - BLACK	1	
9	CS902-01	BELTING FOR CS637B COVER REAR AFX CHOPPER	1	
10	CS903Z	SUPPORT TUBE DISCHARGE COVER BRACKET - ZDP	4	
11	N21M-06	NUT FLG M6 C8 YZD	5	
12	N21M-08	NUT FLG M8 C8 YZD	18	