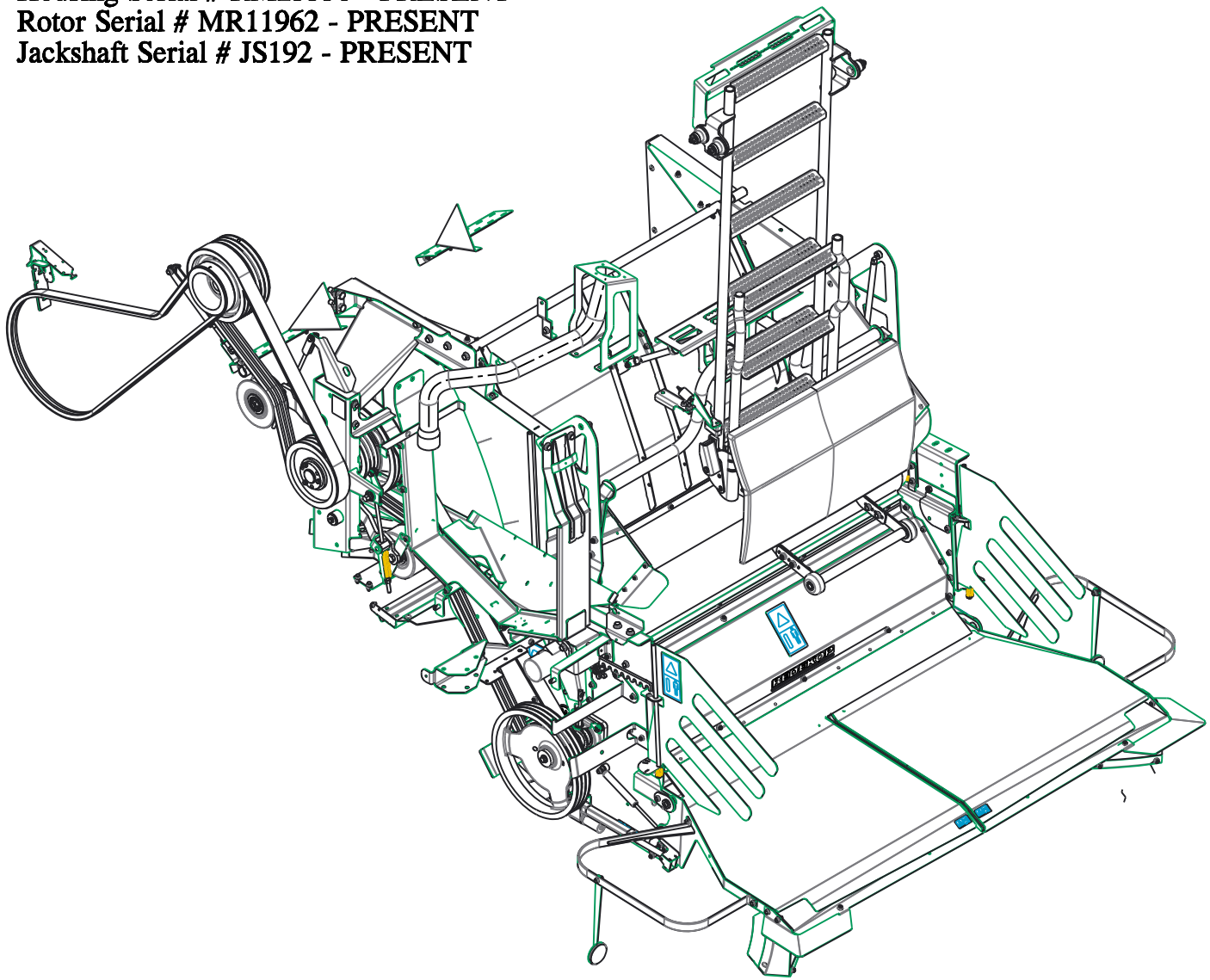


CaseIH 7120-9120, 7230-9230, 7240-9240
MAV - 220-212/211/W
Parts Manual

Housing Serial # RM25330 - PRESENT
Rotor Serial # MR11962 - PRESENT
Jackshaft Serial # JS192 - PRESENT

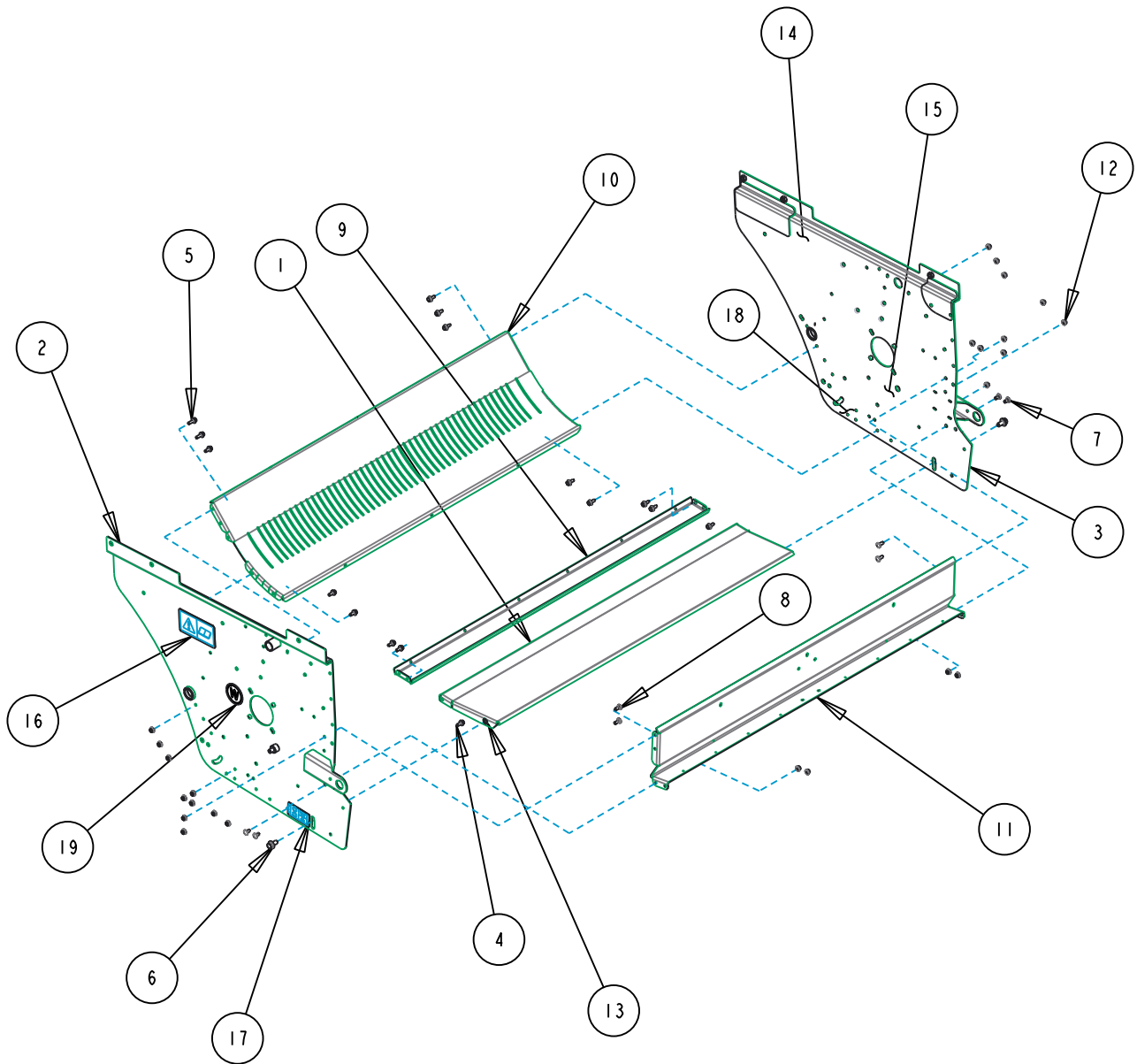


CaseIH 240 Series MAV Chopper
Chopper Base Mounts

Date:07/13/2020

Serial No Range From:
RM25330

Serial No Range To:
PRESENT



CSOI45-03-2

Indicate implement serial number with any parts order _____

CaseIH 240 Series MAV Chopper
Chopper Base Mounts

Date:07/13/2020

Serial No Range From:
RM25330

Serial No Range To:
PRESENT

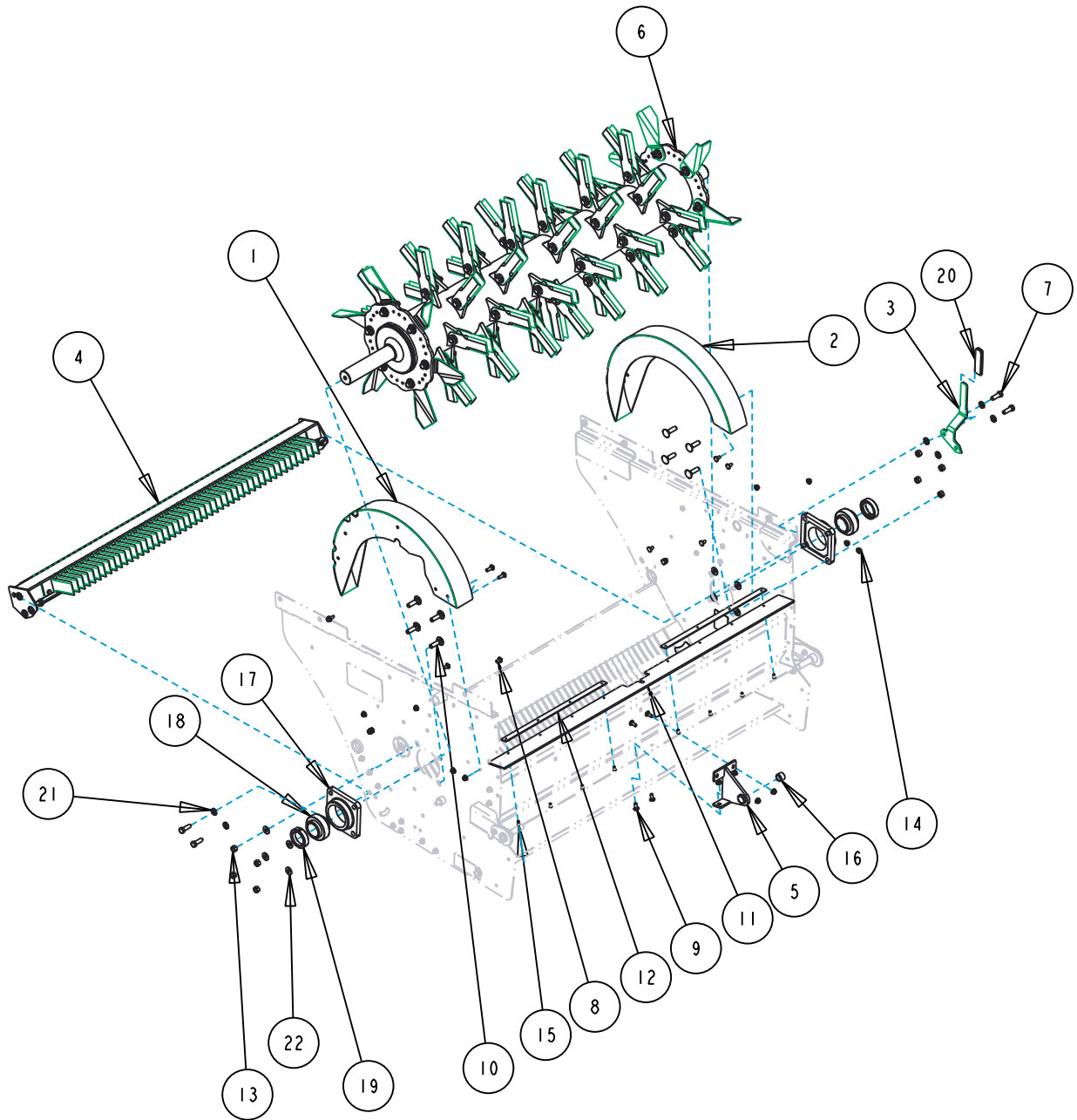
ITEM NO.	PART NO.	DESCRIPTION	QTY	NOTE
1	CG424B	FLOOR EXT 55W	1	
2	CG455B	SIDEWALL LT BASE CHOPPER MY17	1	CG455BA HAS DECALS
3	CG456B	SIDEWALL RT BASE CHOPPER MY17	1	CG456BA HAS DECALS
4	B2IM-0820	BOLT FLG M8X20 C8.8 YZD Iso8102	14	
5	B2IM-0825	BOLT FLG M8X25 C8.8 YZD Iso8102	2	
6	B2IM-1225	BOLT FLG M12X25 C8.8 YZD Iso8102	2	
7	B3IM-0816	BOLT RH M8x16 C8.8 YZD ISO8678 Short Neck	4	
8	B3IM-0820	BOLT RH M8x20 C8.8 YZD ISO8678 Short Neck	4	
9	CG160B	GUARD KNIFE BAR 55L	1	
10	CG422B	FLOOR CHOPPER 55W	1	
11	CG426B	CHOPPER RR PANEL 55L	1	
12	N2IM-08	NUT FLG M8 C8 YZD Iso4161	24	
13	N42M-12	NUT LOCK STL M12 C10 YZD DIN980V	2	
14	RP240	DECAL REDEKOP 1.75H x 11.5L	1	
15	RP246	DECAL MAV SERIAL/PRODUCT NUMBER	1	
16	RP873	DECAL EU SAFETY CHECK SERVICE	1	
17	RP896	DECAL WINDROW FLOOR ADJUST	2	
18	RP942	DECAL EU KNIFE BAR ADJ	1	
19	RP962	WIDE SPREAD DECAL "W"	1	

CaseIH 240 Series MAV Chopper
Chopper Housing Components

Date:07/13/2020

Serial No Range From:
RM25330

Serial No Range To:
PRESENT



CS0145-03-4

Indicate implement serial number with any parts order _____

CaseIH 240 Series MAV Chopper
Chopper Housing Components

Date:07/13/2020

Serial No Range From:
RM25330

Serial No Range To:
PRESENT

ITEM NO.	PART NO.	DESCRIPTION	QTY	NOTE
1	CG223BL	SHROUD FAN LT BCHOP	1	
2	CG223BR	SHROUD FAN RT BCHOP	1	
3	CG247BA	ASSY KBAR HANDLE w/ INDICATOR	1	
4	CG352BA	KNIFE BAR ASSY MAV 55L W/O PADDLES	1	
5	CG428B	BRACKET TBOARD SUPPORT	1	
6	CG751BA	ROTOR MAV FG 55W BR WI.SPR	1	
7	BIIM-1235	BOLT HEX M12X35 C8.8 YZD Iso4014	4	
8	B3IM-0816	BOLT RH M8x16 C8.8 YZD ISO8678 Short Neck	12	
9	B3IM-0820	BOLT RH M8x20 C8.8 YZD ISO8678 Short Neck	8	
10	B36M-1245	BOLT RH M12x45 C8.8 YZD ISO8677 Long Neck	8	
11	CG226-01	BELT TBOARD SEAL 55W	1	
12	CG228B	STRAP BELT SEAL 55W	2	
13	NIIM-12	NUT HEX M12 C8 YZD ISO4032	8	
14	N2IM-08	NUT FLG M8 C8 YZD Iso4161	60	
15	RO3-08	RIVET .188 X .375 SS	8	
16	RP109	BUSHING NYL .76 ID 1.005 OD .75L	1	
17	RP238	BEARING FLANGE 4B F210	2	
18	RP295	BEARING BALL SPH 50mm ID ECL UEL	2	C/W RP296
19	RP296	LOCK COLLAR ECL 50mm ID	2	NSS - ORDER RP295
20	RP309	GRIP .25 X 1 X 4	1	
21	WIIM-12	WASHER FLAT M12 x 23.5 x 2.4 YZD	8	
22	W3IM-12	WASHER SPRING BVL .12 ID 27 OD 1.8 TK	8	
17,18,19	RP295A	BEARING ASSY 50mm ID ECL 4B CAST FLG	2	INCLUDES # 17,18,19

NSS = NOT SERVICED SEPARATLY

CSOI45-03-5

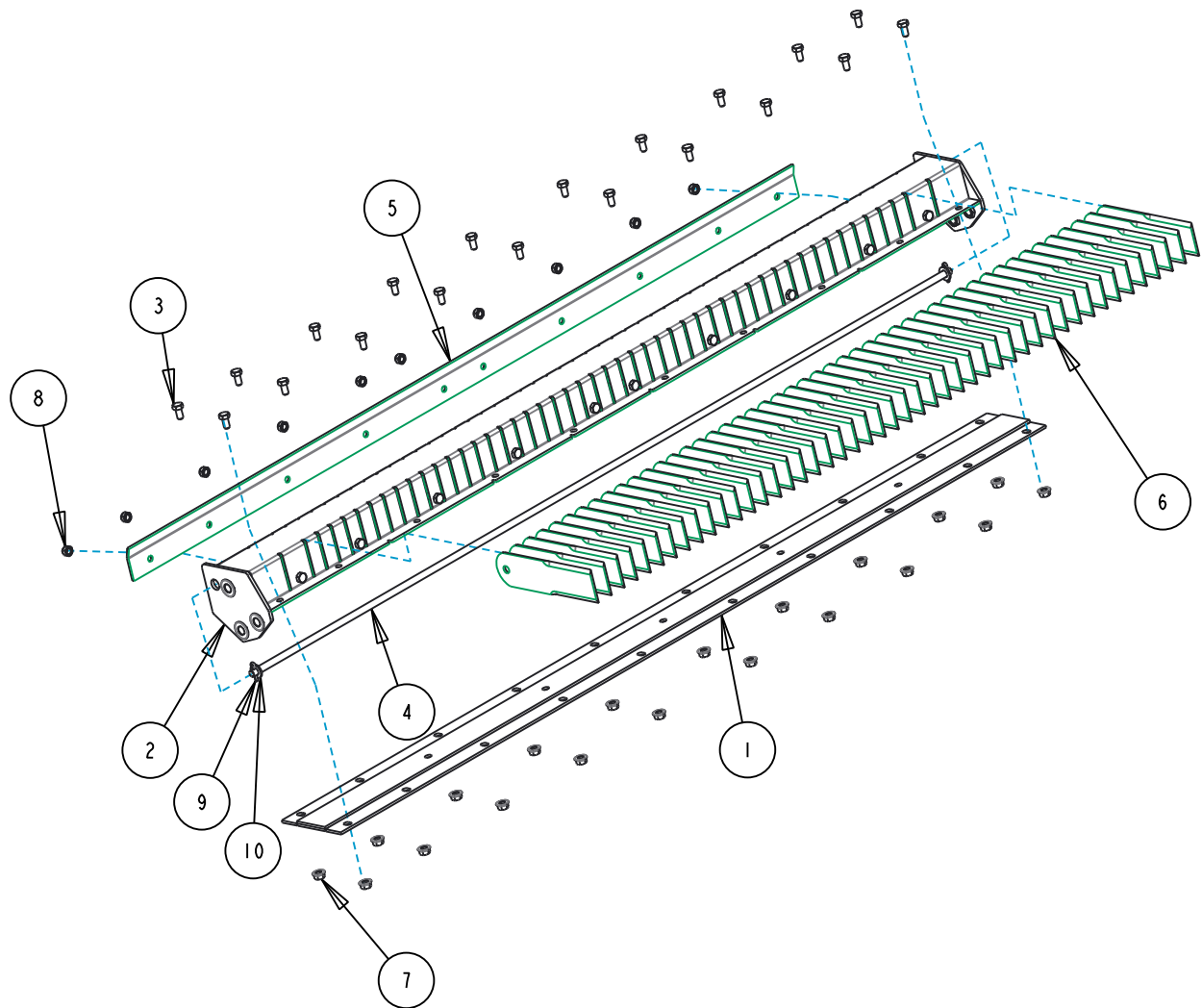
Indicate implement serial number with any parts order _____

CaseIH 240 Series MAV Chopper
Chopper Knife Bar Components

Date:07/13/2020

Serial No Range From:
RM25330

Serial No Range To:
PRESENT



CS0145-03-6

Indicate implement serial number with any parts order _____

CaseIH 240 Series MAV Chopper
Chopper Knife Bar Components

Date:07/13/2020

Serial No Range From:
RM25330

Serial No Range To:
PRESENT

ITEM NO.	PART NO.	DESCRIPTION	QTY	NOTE
1	CGI52B	BACKPLATE KBAR W 55L	1	
2	CG351B	FRAME KNIFE BAR /W 55L	1	
3	BIIM-0816	BOLT HEX M8X16 C8.8 YZD Iso4014	20	
4	CGI53B	ROD KNIFE BAR 55L	1	
5	CGI54B	PLATE PRESS KBAR 55L	1	
6	HA700	BLADE STR KNIFE BAR	47	NSS - ORDER BK700
6	BK700	KIT BLADE KNIFE BAR (10 HA700)	5	
7	N21M-08	NUT FLG M8 C8 YZD Iso4161	20	
8	N42M-08	NUT LOCK STL M8 C10 YZD DIN980V	10	
9	P21M-0322	PIN COTTER M3X22	2	
10	WIIM-10	WASHER FLAT M10 x 20 x 2.3 YZD	2	

NSS = NOT SERVICED SEPARATLY

CS0145-03-7

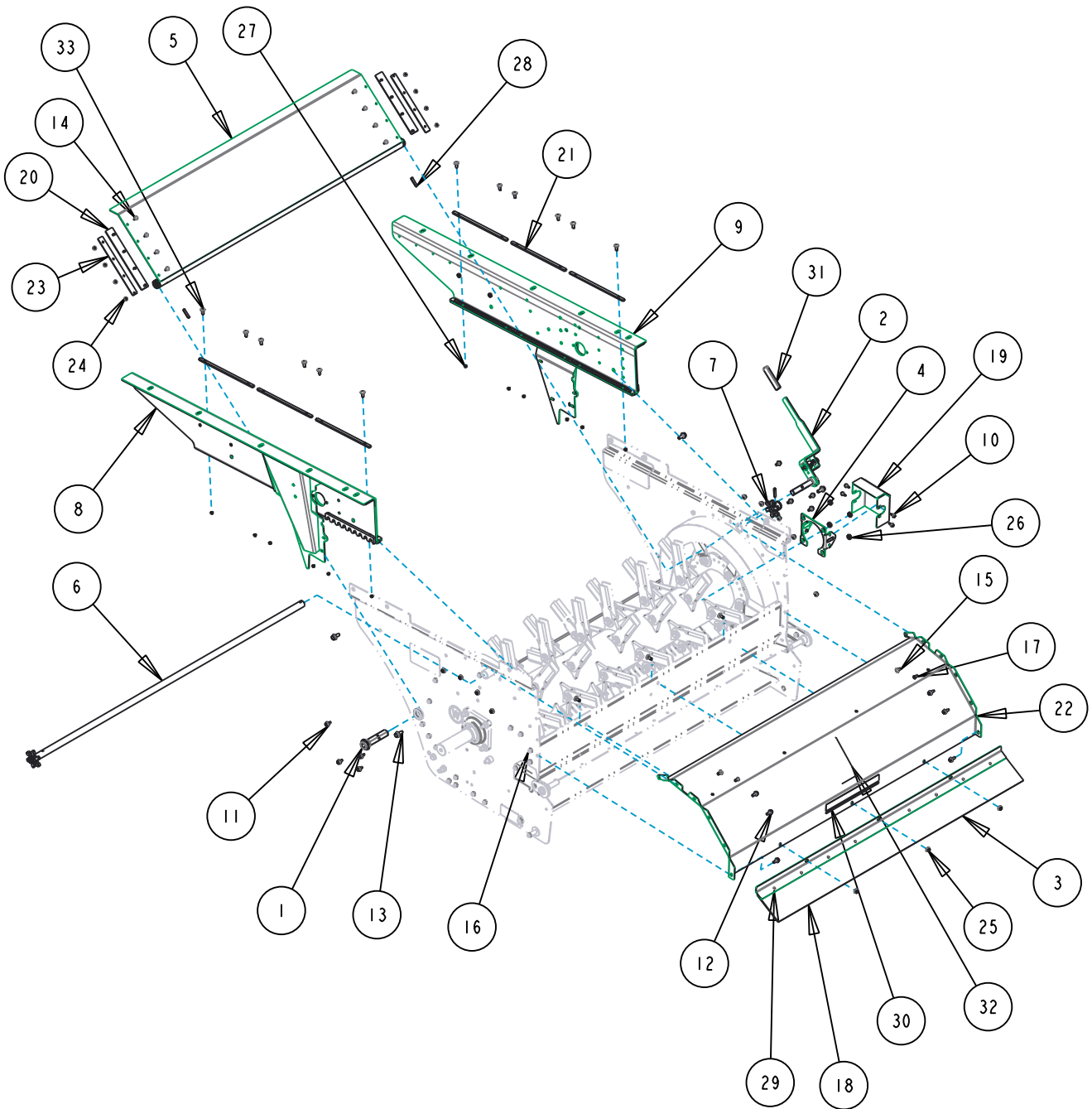
Indicate implement serial number with any parts order _____

CaseIH 240 Series MAV Chopper
Chopper Upper Mounts

Date:07/13/2020

Serial No Range From:
RM25330

Serial No Range To:
PRESENT



CSOI45-03-8

Indicate implement serial number with any parts order _____

CaseIH 240 Series MAV Chopper
Chopper Upper Mounts

Date:07/13/2020

Serial No Range From:
RM25330

Serial No Range To:
PRESENT

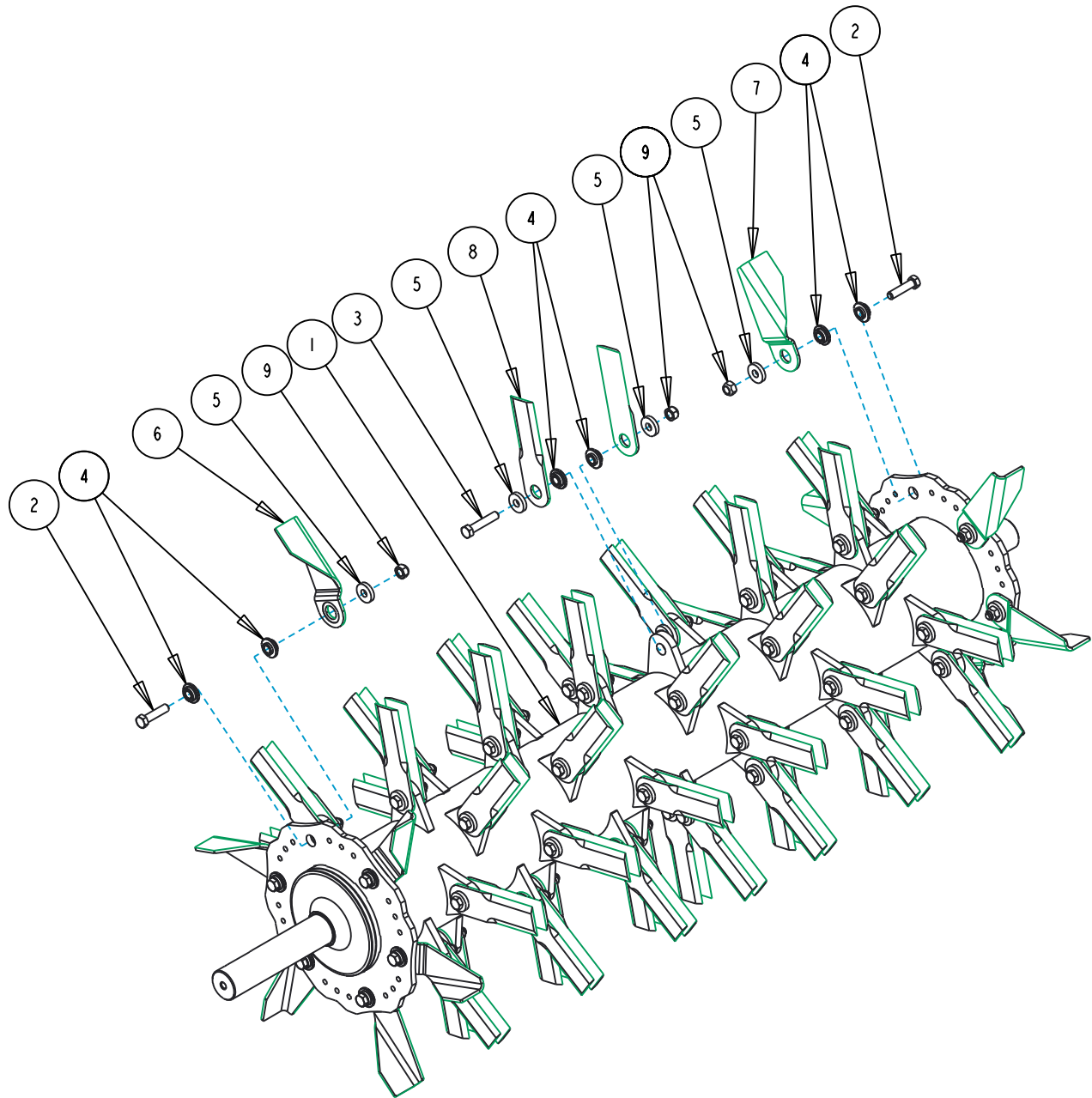
ITEM NO.	PART NO.	DESCRIPTION	QTY	NOTE
1	CG13IZ	PIVOT PIN CHOPPER DOOR	1	
2	CG26IBA	HANDLE ADJ I3 5/8L EU	1	
3	CG463BA	SEAL ASSY TOP TBOARD 55W	1	
4	CH339B	MOUNT BRKT SPD SENSOR	1	
5	CS542B	DOOR CHAFF AFX ABRASION RESITANT	1	
6	CS569B	CHOPPER SLIDE SHAFT	1	
7	CS570B	CHOPPER SLIDE GEAR	1	
8	CS940BL	AFX UPPER GUSSET LT - BLACK	1	
9	CS940BR	AFX UPPER GUSSET RT - BLACK	1	
10	B2IM-0616	BOLT FLG M6X16 C8.8 YZD Iso8102	4	
11	B2IM-0816	BOLT FLG M8X16 C8.8 YZD Iso8102	8	
12	B2IM-0820	BOLT FLG M8X20 C8.8 YZD Iso8102	20	
13	B2IM-1025	BOLT FLG M10X25 C8.8 YZD Iso8102	4	
14	B3IM-0616	BOLT RH M6X16 C8.8 YZD ISO8678 Short Neck	8	
15	B3IM-0816	BOLT RH M8X16 C8.8 YZD ISO8678 Short Neck	14	
16	B3IM-0820	BOLT RH M8X20 C8.8 YZD ISO8678 Short Neck	7	
17	B6IM-0816	BOLT SOCKET CAP M8 X 16 C8.8 YZD	2	
18	CG446-01	BELT TBOARD SEAL 55W	1	
19	CH340B	SHIELD SPEED SENSOR NH	1	
20	CS547-01	BELT DOOR SEAL 5H 19.5L	2	
21	CS557-01	BEARING CHOPPER SLIDE	6	
22	CS564B	HOOD CHOPPER 55W DELUXE	1	CS564BA HAS DECALS
23	CS589B	BACKPLATE CHP DOOR 4H 10.5L	2	
24	N2IM-06	NUT FLG M6 C8 YZD Iso4161	8	
25	N2IM-08	NUT FLG M8 C8 YZD Iso4161	71	
26	N3IM-12	NUT JAM M12 C8 YZD Iso4035	4	
27	N53-08	NUT LOCK NYL #8-32	12	
28	PIIM-0840	PIN ROLL 08 X 40	3	
29	RO3-08	RIVET .188 X .375 SS	8	
30	RP240	DECAL REDEKOP 1.75H x 11.5L	2	
31	RP309	GRIP .25 X 1 X 4	2	
32	RP872	DECAL SAFETY PROJECTILE HAZARD	1	
33	S3IM-0820	SCREW PHILLIPS 8-32 FLAT HEAD	12	

CaseIH 240 Series MAV Chopper
Chopper Rotor Components

Date:07/13/2020

Serial No Range From:
MRI1926

Serial No Range To:
MRI2720



CaseIH 240 Series MAV Chopper
Chopper Rotor Components

Date:07/13/2020

Serial No Range From:
MR11926

Serial No Range To:
MR12720

ITEM NO.	PART NO.	DESCRIPTION	QTY	NOTE
1	CG751BA	ROTOR MAV FG 55W 8R WIDE SPREAD	1	8 ROW ROTOR - WIDE SPREAD
1	CG752BA	ROTOR MAV FG 55W 8R STD SPREAD	1	8 ROW ROTOR - STANDARD SPREAD
1	CG731BA	ROTOR MAV FG 55W 4R WIDE SPREAD	1	4 ROW ROTOR - WIDE SPREAD
1	CG730BA	ROTOR MAV FG 55W 4R STD SPREAD	1	4 ROW ROTOR - STANDARD SPREAD
2	B12M-1250	BOLT HEX M12X50 C10.9 YZD Iso4014	12	
3	B12M-1260	BOLT HEX M12X60 C10.9 YZD Iso4014	48	
4	HA553	BUSHING .885 BD .750 LD .485 ID MAV Std	120	NSS - ORDER KIT BK553
4	BK553	BUSHING KIT - HA553 (20)	7	
5	HA555	WASHER ROTOR .485ID 1.250D	108	NSS - ORDER KIT BK555
5	BK555	WASHER KIT - HA555 (20)	6	
6	HA570L	BLADE FAN 2 INCH LT	6	NSS - ORDER KIT BK570L
6	BK570L	BLADE KIT - HA570L (6-LEFT)	1	LEFT BLADES
6	HA550L	BLADE FAN 1.5 INCH LT	6	NSS - ORDER KIT BK550L
6	BK550L	BLADE KIT - HA550L (6-LEFT)	1	LEFT BLADES
7	HA570R	BLADE FAN 2 INCH RT	6	NSS - ORDER KIT BK570R
7	BK570R	BLADE KIT - HA570R (6-RIGHT)	1	RIGHT BLADES
7	HA550R	BLADE FAN 1.5 INCH RT	6	NSS - ORDER KIT BK550R
7	BK550R	BLADE KIT - HA550R (6-RIGHT)	1	RIGHT BLADES
8	HA650C	BLADE STRAIGHT MAV CARBIDE	96	NSS - ORDER KIT BK650C
8	BK650C	BLADE KIT HA650C (8)	12	
9	N42M-12	NUT LOCK STL M12 C10 YZD DIN980V	60	

NSS = NOT SERVICED SEPARATELY

CSOI45-03-II

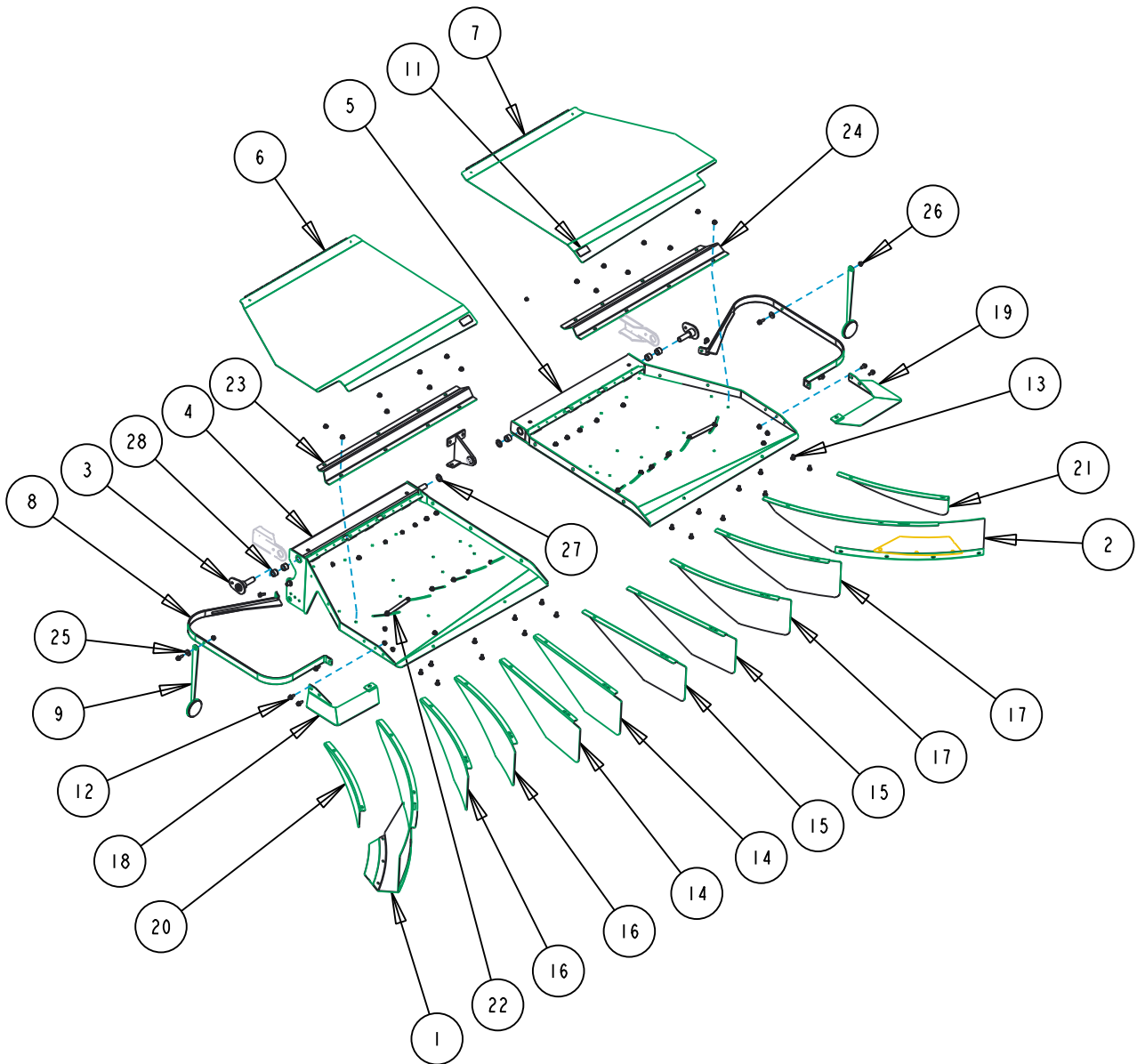
Indicate implement serial number with any parts order _____

CaseIH 240 Series MAV Chopper
Chopper Tailboard Components - Wide Spread

Date:07/13/2020

Serial No Range From:
RM25330

Serial No Range To:
PRESENT



CS0145-03-12

Indicate implement serial number with any parts order _____

CaseIH 240 Series MAV Chopper
Chopper Tailboard Components - Wide Spread

Date:07/13/2020

Serial No Range From:
RM25330

Serial No Range To:
PRESENT

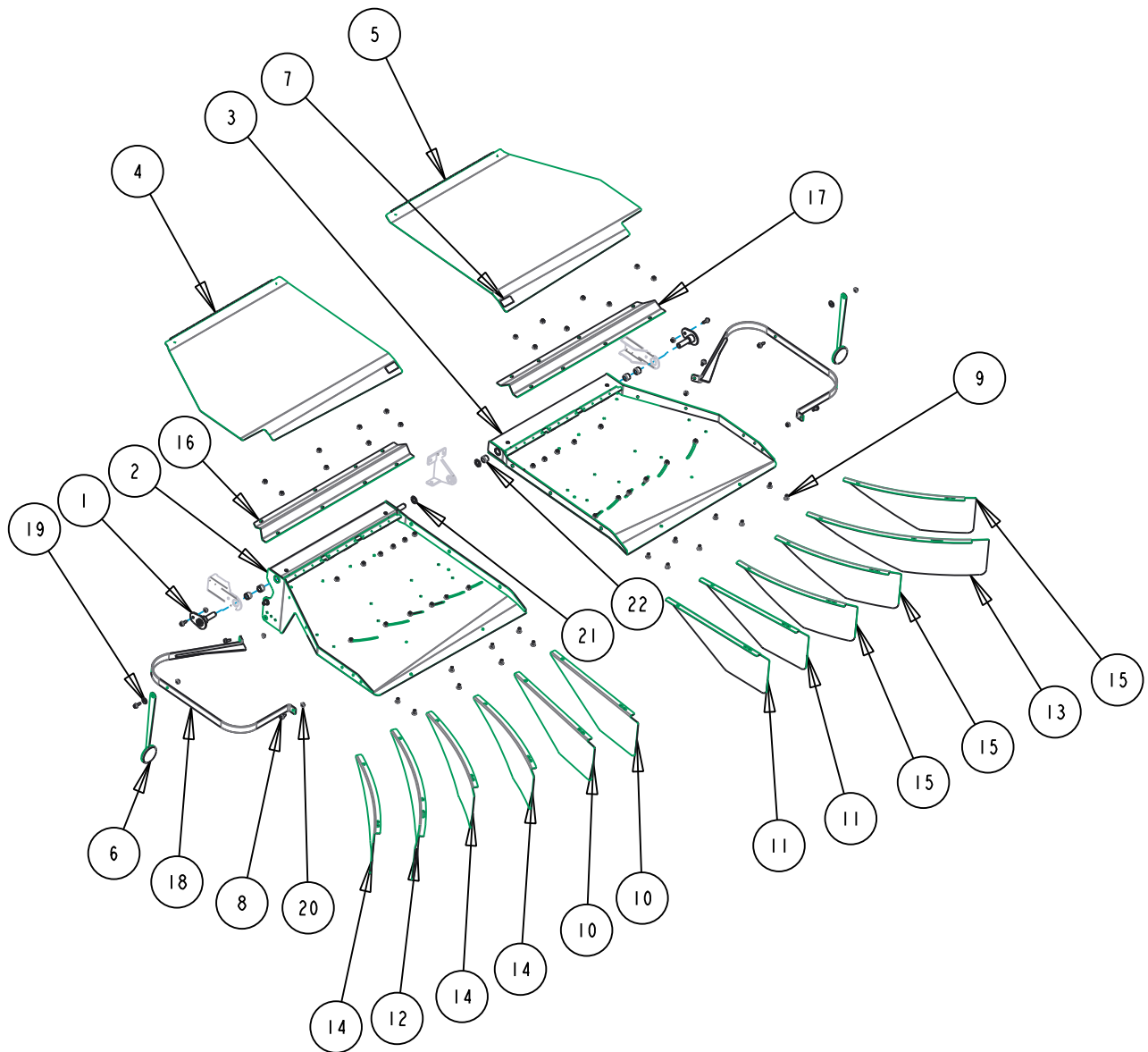
ITEM NO.	PART NO.	DESCRIPTION	QTY	NOTE
1	CG237BAL	FIN 40L LT WIDE SPREAD - ASSY	1	
2	CG237BAR	FIN 40L RT WIDE SPREAD - ASSY	1	
3	CG44IZ	PIN TAILBOARD PVT YZD	2	
4	CG46OBL	TAILBOARD WELDMENT 55W LT MY17	1	
5	CG46OBR	TAILBOARD WELDMENT 55W RT MY17	1	
6	CG462BL	COVER TAILBOARD LT 55W /A MY17	1	CG462BAL HAS DECALS
7	CG462BR	COVER TAILBOARD RT 55W /A MY17	1	CG462BAR HAS DECALS
8	CS17IB	CHOPPER GUARD HOOP	2	
9	CS990BA	REFLECTOR ASSEMBLY	2	
10	RP95IA	SPRING GAS SHOCK ASSY HD 220lb	2	
11	8439435I	DECAL SAFETY PINCH POINT	2	
12	B2IM-0820	BOLT FLG M8X20 C8.8 YZD Iso8102	8	
13	B3IM-0816	BOLT RH M8x16 C8.8 YZD ISO8678 Short Neck	43	
14	CG116BL	FIN STR 22L LT	2	
15	CG116BR	FIN STR 22L RT	2	
16	CG12OBL	FIN CRV LT 22L	2	
17	CG12OBR	FIN CRV RT 22L	2	
18	CG235BL	EXTENSION TAILBOARD LT	1	
19	CG235BR	EXTENSION TAILBOARD RT	1	
20	CG236BL	FIN CRV LT 19L x 4H	1	
21	CG236BR	FIN CRV RT 19L x 4H	1	
22	CG243B	LINK WSPREAD FINS	2	
23	CG357BL	SUPPORT TAILBOARD LT 55W	1	
24	CG357BR	SUPPORT TAILBOARD RT 55W	1	
25	CS99IZ	SPACER REFLECTOR EU	2	
26	N2IM-08	NUT FLG M8 C8 YZD Iso416I	54	
27	RPI08	M.B. .76ID X 1.25OD X .06TK	2	
28	RPI09	BUSHING NYL .76 ID 1.005 OD .75L	6	
29	CG12OK	KIT CONVERT WIDE TO STANDARD SPREAD	1	INCLUDES BLADES AND FINS

CaseIH 240 Series MAV Chopper
Chopper Tailboard Components - Standard Spread

Date:07/13/2020

Serial No Range From:
RM25330

Serial No Range To:
PRESENT



CS0145-03-14

Indicate implement serial number with any parts order _____

CaseIH 240 Series MAV Chopper
Chopper Tailboard Components - Standard Spread

Date:07/13/2020

Serial No Range From:
RM25330

Serial No Range To:
PRESENT

ITEM NO.	PART NO.	DESCRIPTION	QTY	NOTE
1	CG44IZ	PIN TBOARD PVT	2	
2	CG460BAL	TAILBOARD ASSY LT 55W EU MY17	1	
3	CG460BAR	TAILBOARD ASSY RT 55W EU MY17	1	
4	CG462BAL	COVER TBOARD LT 55W /A MY17	1	
5	CG462BAR	COVER TAILBOARD 55 RT w/ DECAL MY17	1	
6	CS990BA	REFLECTOR ASSY	2	
7	8439435I	DECAL SAFETY PINCH POINT	2	
8	B2IM-0820	BOLT FLG M8X20 C8.8 YZD Iso8102	6	
9	B3IM-0816	BOLT RH M8x16 C8.8 YZD ISO8678 Short Neck	40	
10	CG116BL	FIN STR 22L LT	2	
11	CG116BR	FIN STR 22L RT	2	
12	CG119BL	FIN CRV LT 31L	1	
13	CG119BR	FIN CRV RT 31L	1	
14	CG120BL	FIN CRV LT 22L	3	
15	CG120BR	FIN CRV RT 22L	3	
16	CG357BL	SUPPORT TBOARD LT 55W	1	
17	CG357BR	SUPPORT TBOARD RT 55W	1	
18	CS171B	GUARD TAILBOARD	2	
19	CS991Z	SPACER REFLECTOR EU	2	
20	N2IM-08	NUT FLG M8 C8 YZD Iso4161	49	
21	RPI08	M.B. .76ID X 1.25OD X .06TK	2	
22	RPI09	BUSHING NYL .76 ID 1.005 OD .75L	6	
23	810-060	KIT MAV WIDE SPREAD UPGRADE	1	INCLUDES FAN BLADES AND FINS

CS0145-03-15

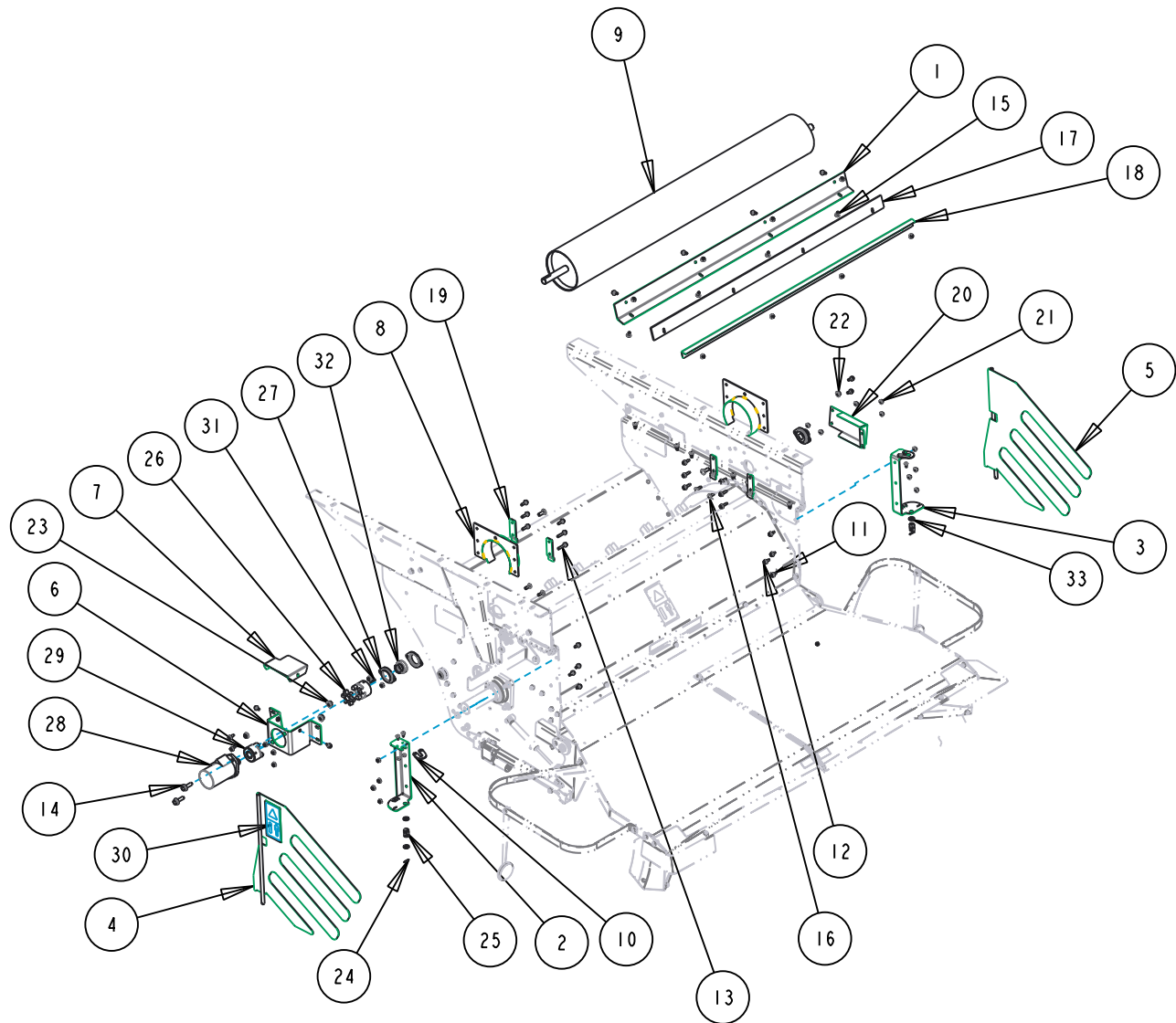
Indicate implement serial number with any parts order _____

CaseIH 240 Series MAV Chopper
Chopper Windrow Components

Date: 07/13/2020

Serial No Range From:
RM25330

Serial No Range To:
PRESENT



CaseIH 240 Series MAV Chopper
Chopper Windrow Components

Date:07/13/2020

Serial No Range From:
RM25330

Serial No Range To:
PRESENT

ITEM NO.	PART NO.	DESCRIPTION	QTY	NOTE
1	CH259BA	MOUNT ROLLER STRIPPER /A 55W - BLACK	1	
2	CSIO65BL	MOUNT, WINDROW RAKE LT - BLACK	1	CSIO65BAL IS RAKE ASSY LT
3	CSIO65BR	MOUNT, WINDROW RAKE RT - BLACK	1	CSIO65BAR IS RAKE ASSY RT
4	CSIO66BL	RAKE, WINDROW LT - BLACK	1	CSIO66BAL HAS DECAL
5	CSIO66BR	RAKE, WINDROW RT - BLACK	1	CSIO66BAR HAS DECAL
6	CS555B	MOUNT W/ROLLER DRV - BLACK	1	
7	CS556B	COVER, HYD MOTOR COUPLER - BLACK	1	
8	CS558B	COVER, ROLLER DISCHARGE TUBE - BLACK	2	
9	CS568B	ROLLER, DISCHARGE AFX	1	
10	CS994Z	LATCH, WINDROW RAKE - YZD	2	
11	B2IM-0816	BOLT FLG M8X16 C8.8 YZD Iso8102	18	
12	B2IM-0820	BOLT FLG M8X20 C8.8 YZD Iso8102	41	
13	B2IM-0840	BOLT FLG M8X40 C8.8 YZD Iso8102	3	
14	B2IM-1240	BOLT FLG M12X40 C8.8 YZD Iso8102	2	
15	B3IM-0816	BOLT RH M8x16 C8.8 YZD ISO8678 Short Neck	74	
16	B3IM-0825	BOLT RH M8x25 C8.8 YZD ISO8678 Short Neck	8	
17	CH260-01	WEAR STRIP 55W	1	
18	CH272B	BRACKET ROLLER WIPER 55W	1	
19	CS559Z	SUPPORT TUBE DISCHARGE COVER BRACKET	4	
20	CS571B	COVER ROLLER BEARING	1	
21	N2IM-08	NUT FLG M8 C8 YZD Iso4161	171	
22	N2IM-10	NUT FLG M10 C8 YZD Iso4161	2	
23	N2IM-12	NUT FLG M12 C8 YZD Iso4161	8	
24	PII-0216	PIN ROLL .125 x 1 YZD	2	
25	RPI10	SPRING-C .093 WR .786 OD 1.25 L	3	
26	RPI25	SPIDER JAW COUPLING L100s	1	
27	RPI77	FLANGE FMD STL 2B 1.0 BRG	4	
28	RPI80	MOTOR HYD EATON H 5.9 2B lin Shaft	1	
29	RPI81	COUPLING 3 JAW L100s 1.00 ID	2	
30	RP872	DECAL SAFETY PROJECTILE HAZARD	3	
31	RP932	KEY SQUARE .25 x .25 x 1.1 L	1	
32	RP178-01	BEARING BALL SPH 1.00 ID ECL AEL	2	
33	WIIM-12	WASHER FLAT M12 x 23.5 x 2.4 YZD	14	

CS0145-03-17

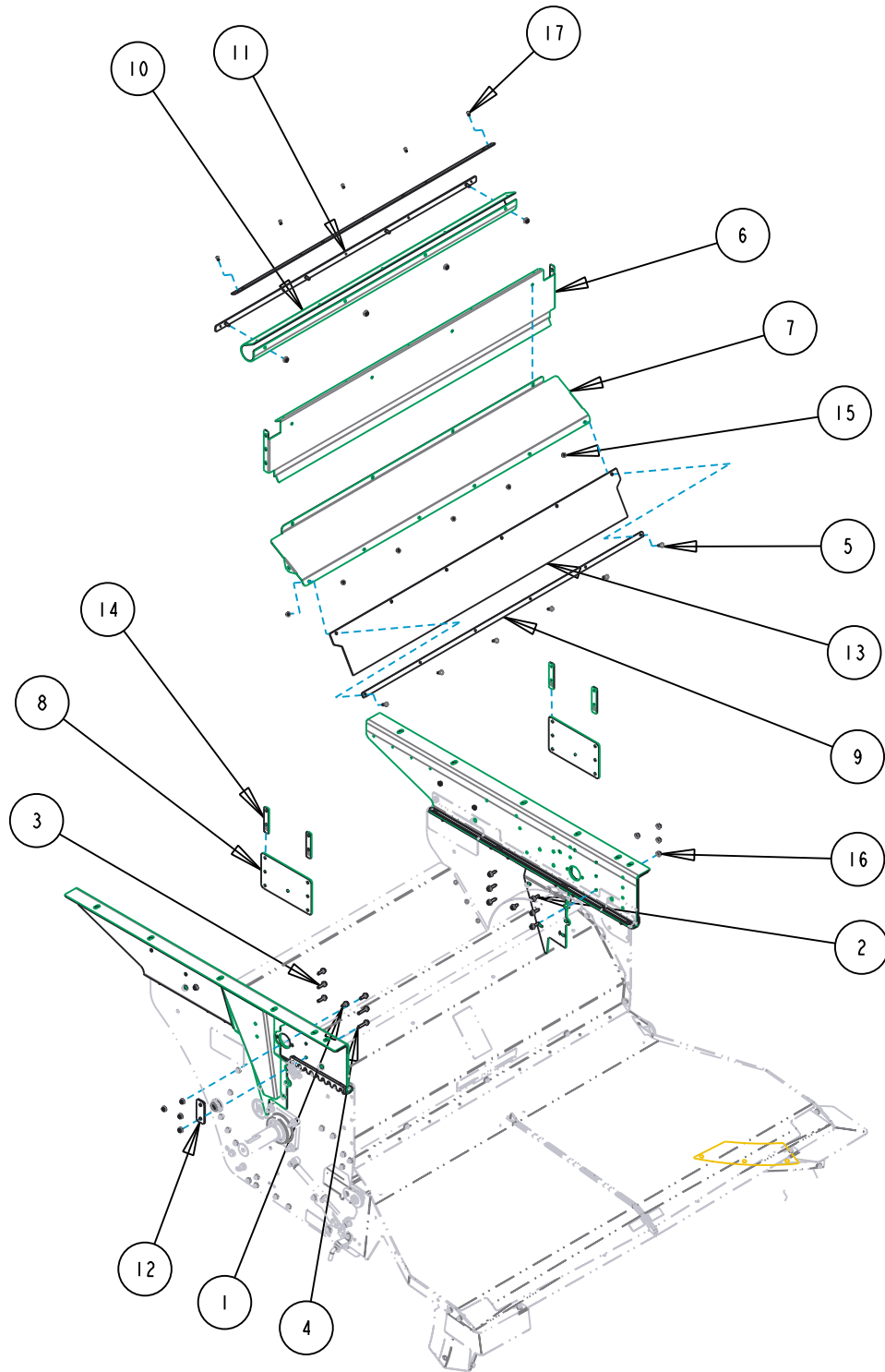
Indicate implement serial number with any parts order _____

CASEIH 240 Series MAV Chopper
Chopper Non Windrow Components

Date:07/13/2020

Serial No Range From:
RM25330

Serial No Range To:
PRESENT



CSO145-03-18

Indicate implement serial number with any parts order _____

CASEIH 240 Series MAV Chopper
Chopper Non Windrow Components

Date:07/13/2020

Serial No Range From:
RM25330

Serial No Range To:
PRESENT

ITEM NO.	PART NO.	DESCRIPTION	QTY	NOTE
1	B2IM-0820	BOLT FLG M8X20 C8.8 YZD Iso8102	26	
2	B2IM-0825	BOLT FLG M8X25 C8.8 YZD Iso8102	8	
3	B2IM-0830	BOLT FLG M8X30 C8.8 YZD Iso8102	6	
4	B2IM-0840	BOLT FLG M8X40 C8.8 YZD Iso8102	2	
5	B3IM-0620	BOLT RH M6X20 C8.8 YZD ISO8678 Short Neck	6	
6	CS631B	WALL CHP REAR 55W	1	
7	CS637B	COVER PLATE CHPR HOOD	1	
8	CS638B	PANEL SIDE LT AFX	2	
9	CS642B	STRAP REAR RUBBER	1	
10	CS665-01	BELT DOOR SEAL AFX	1	
11	CS668B	STRAP BELT SEAL CHOPPER WALL	2	
12	CS704Z	AFX SHIELD MOUNT SPACER	1	
13	CS902-01	BELTING COVER REAR AFX	1	
14	CS903Z	SUPPORT TUBE DISCHARGE COVER BRACKET	4	
15	N2IM-06	NUT FLG M6 C8 YZD Iso4161	14	
16	N2IM-08	NUT FLG M8 C8 YZD Iso4161	152	
17	RO3-08	RIVET .188 X .375 SS	21	

CS0145-03-19

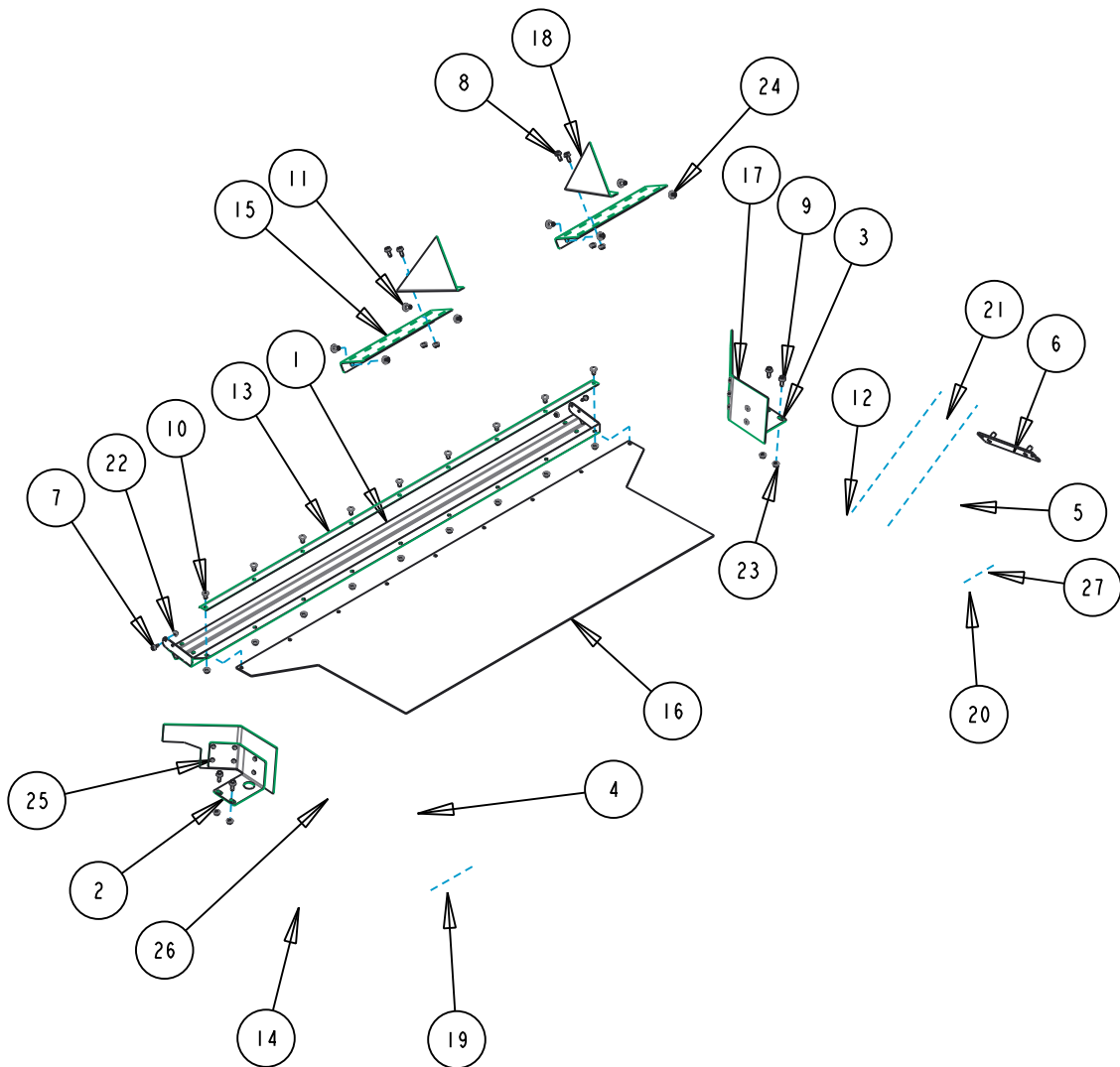
Indicate implement serial number with any parts order _____

CaseIH 240 Series MAV Chopper
Chopper Internal Deflectors

Date:07/13/2020

Serial No Range From:
RM25330

Serial No Range To:
PRESENT



Indicate implement serial number with any parts order _____

CaseIH 240 Series MAV Chopper
Chopper Internal Deflectors

Date:07/13/2020

Serial No Range From:
RM25330

Serial No Range To:
PRESENT

ITEM NO.	PART NO.	DESCRIPTION	QTY	NOTE
1	CS484B	SIEVE EXT AFX 230/240	1	
2	CS599BAL	DEFLECTOR AFX CHAFF LT	1	
3	CS599BAR	DEFLECTOR AFX CHAFF RT	1	
4	CS957BL	VENT AFX LT	1	
5	CS957BR	VENT AFX RT	1	
6	CS966B	SHIM PLATE RT VENT	1	FIELD OR DEALER INSTALL
7	B2IM-0616	BOLT FLG M6X16 C8.8 YZD Iso8102	2	
8	B2IM-0820	BOLT FLG M8X20 C8.8 YZD Iso8102	4	
9	B2IM-0825	BOLT FLG M8X25 C8.8 YZD Iso8102	12	
10	B3IM-0816	BOLT RH M8x16 C8.8 YZD ISO8678 Short Neck	8	
11	B3IM-1020	BOLT RH M10X20 C8.8 YZD ISO8678 Short Neck	4	
12	B3IM-1230	BOLT RH M12X30 C8.8 YZD ISO8678 Short Neck	2	
13	CH514B	STRAP, WIDE SIEVE EXT 64.75 L	1	
14	CS1007B	BRACKET VENT	2	
15	CS170B	INTERNAL BAFFLE AFX 230/240S	2	
16	CS600-01	BELT AFX 30/40S WIDE SIEVE EXT	1	
17	CS604-01	BELT SIEVE DEFLECT	2	
18	CS921B	FIN STR 13L	2	
19	CS958-01L	BELT AFX VENT LT	1	
20	CS958-01R	BELT AFX VENT RT	1	
21	CS959Z	SPACER AFX VENT RT	1	
22	N2IM-06	NUT FLG M6 C8 YZD Iso4161	2	
23	N2IM-08	NUT FLG M8 C8 YZD Iso4161	21	
24	N2IM-10	NUT FLG M10 C8 YZD Iso4161	4	
25	RO3-08H	RIVET .188 X .375 ST LARGE FLANGE	12	
26	RP993	DECAL SAFETY RUN ON - 100x50	2	
27	W12M-08	WASHER FLAT M8 x 25.4 x 2.3 YZD	2	

CS0145-03-21

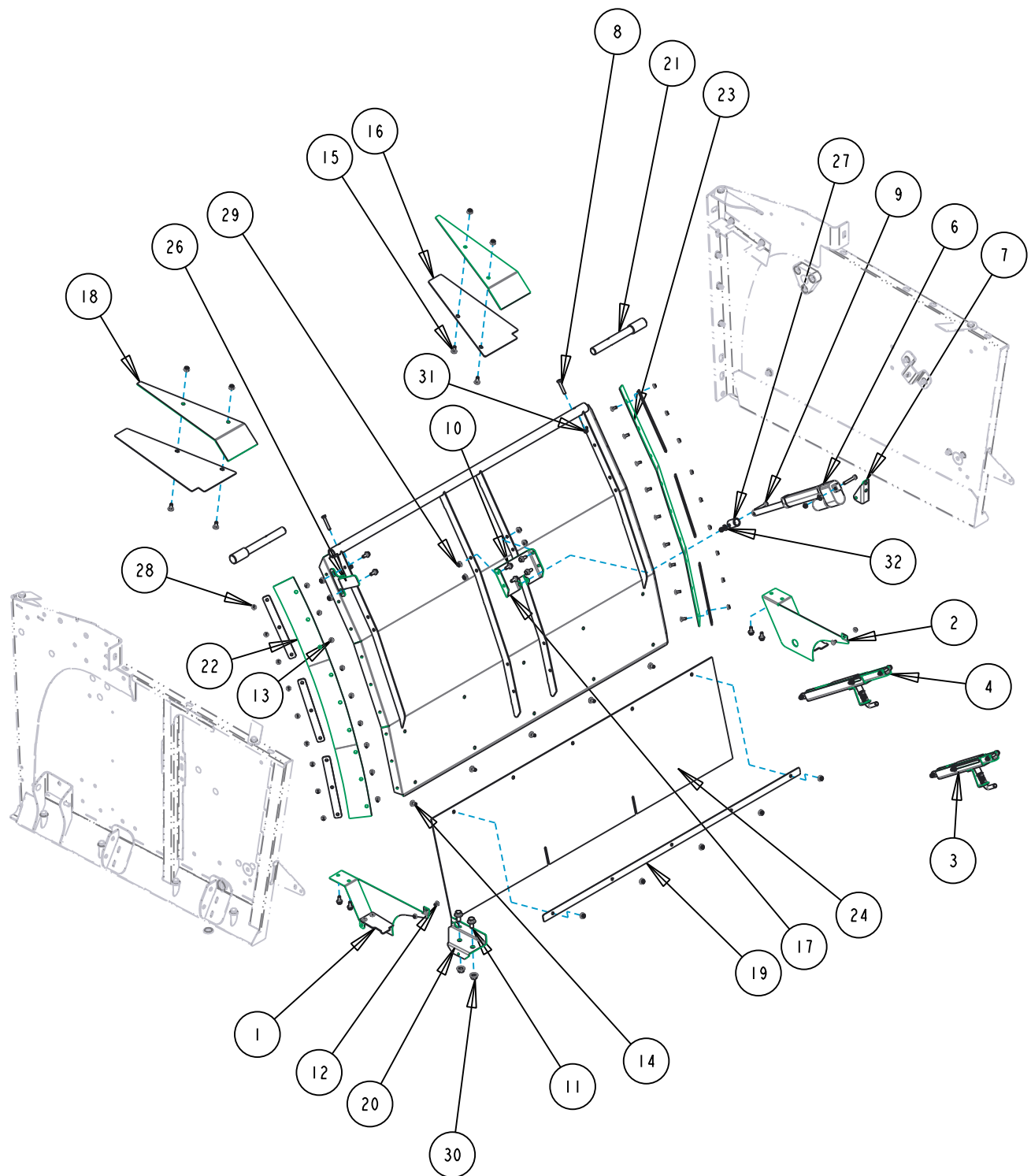
Indicate implement serial number with any parts order _____

CaseIH 240 Series MAV Chopper
Chopper Straw Door Components

Date:07/13/2020

Serial No Range From:
RM25330

Serial No Range To:
PRESENT



CSOI45-03-22

Indicate implement serial number with any parts order _____

CaseIH 240 Series MAV Chopper
Chopper Straw Door Components

Date:07/13/2020

Serial No Range From:
RM25330

Serial No Range To:
PRESENT

ITEM NO.	PART NO.	DESCRIPTION	QTY	NOTE
1	CS1054BAL	DEFLECTOR CHAFF LT	1	WINDROW
2	CS1054BAR	DEFLECTOR CHAFF RT	1	WINDROW
3	CS861BA	LINKAGE AFX STRAW DOOR	1	
4	CS910BA	LINKAGE AFX 30S AU 2015	1	
5	CS936B	DOOR ASSY AFX STRAW	1	
6	RP940	ACTUATOR 12V 312+174mm W/ POT	1	
7	84127250	PIVOT MOUNT STRAW DOOR ACTUATOR	1	
8	BIIM-0845	BOLT HEX M8X45 C8.8 YZD Iso4014	2	
9	BIIM-0850	BOLT HEX M8X50 C8.8 YZD Iso4014	2	
10	B2IM-0820	BOLT FLG M8X20 C8.8 YZD Iso8102	10	
11	B2IM-1225	BOLT FLG M12X25 C8.8 YZD Iso8102	2	
12	B3IM-0612	BOLT RH M6X12 C8.8 YZD ISO8678 Short Neck	2	
13	B3IM-0616	BOLT RH M6X16 C8.8 YZD ISO8678 Short Neck	18	
14	B3IM-0816	BOLT RH M8x16 C8.8 YZD ISO8678 Short Neck	5	
15	B3IM-0820	BOLT RH M8x20 C8.8 YZD ISO8678 Short Neck	4	
16	CS468B	FILLER PLATE COMBINE ROOF	2	
17	CS603B	BRACKET STR DOOR ACTR	1	
18	CS669-01	SEAL ROOF AFX	1	
19	CS844B	STRAP AFX STRAW DOOR BTM BELT	1	
20	CS857B	PLATE LADDER SENSOR MNT	1	
21	CS937Z	PIN AFX STRAW DOOR PVT	2	
22	CS938-OIL	BELT AFX DOOR SEAL	1	
23	CS938-OIR	BELT AFX DOOR SEAL	1	
24	CS939-01	BELTING AFX STRAW DOOR	1	
25	CS942B	STRAP AFX STRAW DOOR BTM	6	
26	CS943B	TARGET STRAW DOOR PROXIMITY	1	
27	CS960B	STOP DOOR ACTUATOR	1	
28	N2IM-06	NUT FLG M6 C8 YZD Iso4161	20	
29	N2IM-08	NUT FLG M8 C8 YZD Iso4161	15	
30	N2IM-12	NUT FLG M12 C8 YZD Iso4161	2	
31	N42M-08	NUT LOCK STL M8 C10 YZD DIN980V	10	
32	WIIM-08	WASHER FLAT M8 x 18.8 x 2.3 YZD	4	
1	CS946BL	DEFLECTOR CHAFF LT	1	NON-WINDROW
2	CS946BR	DEFLECTOR CHAFF RT	1	NON-WINDROW

NSS = NOT SERVICED SEPARATELY

CSOI45-03-23

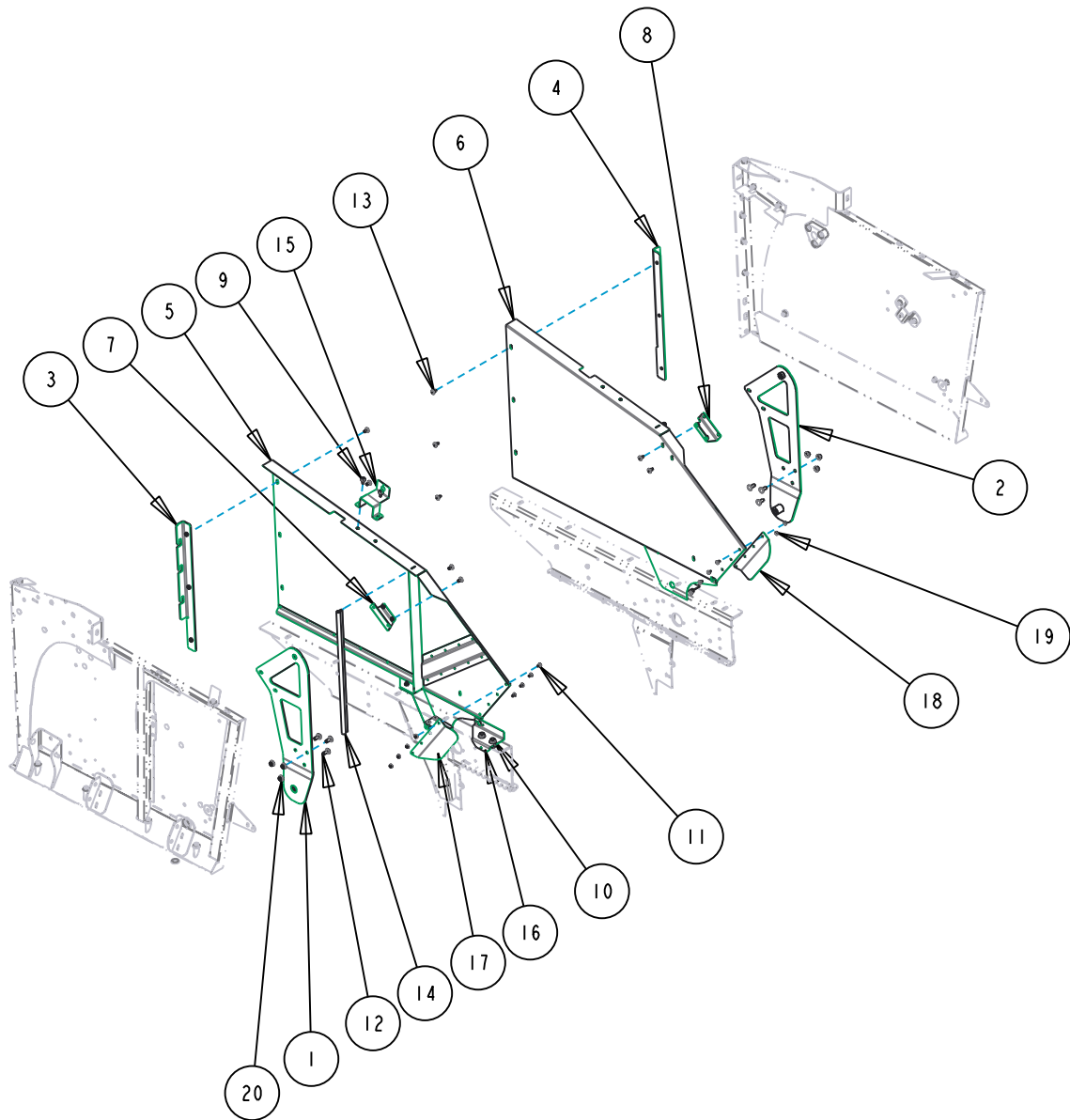
Indicate implement serial number with any parts order _____

CaseIH 240 Series MAV Chopper
Chopper Ladder Mount Components

Date:07/13/2020

Serial No Range From:
RM25330

Serial No Range To:
PRESENT



CSOI45-03-24

Indicate implement serial number with any parts order _____

CaseIH 240 Series MAV Chopper
Chopper Ladder Mount Components

Date:07/13/2020

Serial No Range From:
RM25330

Serial No Range To:
PRESENT

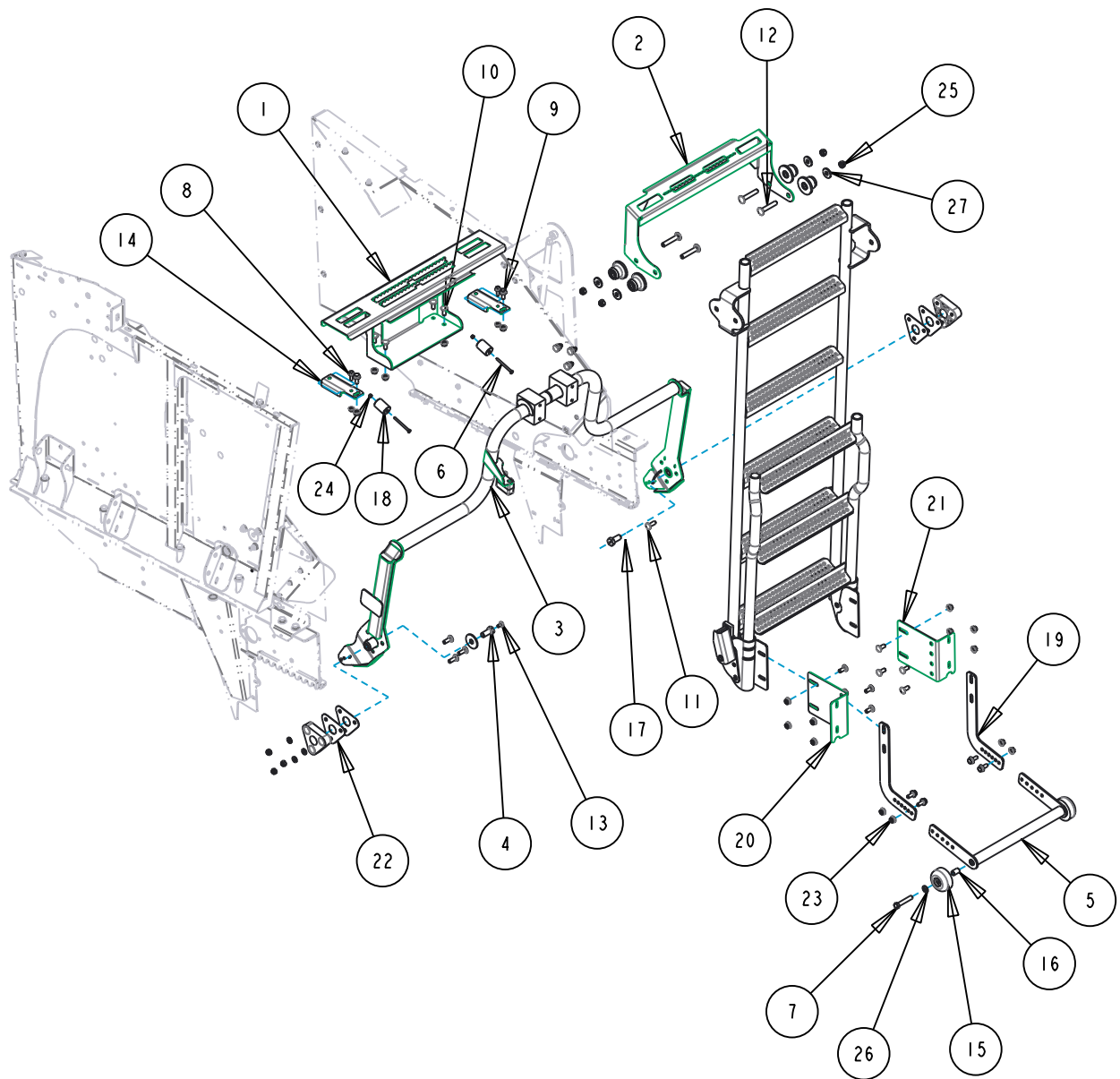
ITEM NO.	PART NO.	DESCRIPTION	QTY	NOTE
1	CS1008BL	MOUNT LDR LT	1	
2	CS1008BR	BRKT LDR LK PVT	1	
3	CS811BL	BRACKET FRONT SUBWALL MT LT	1	
4	CS811BR	BRKT LT FRT MT	1	
5	CS933BL	SKIN AFX LADDER LT	1	
6	CS933BR	SKIN AFX LADDER RT	1	
7	CS944BL	BRACKET TOP SKIN MT LT	1	
8	CS944BR	BRACKET TOP SKIN MT RT	1	
9	B21M-0820	BOLT FLG M8X20 C8.8 YZD Iso8102	6	
10	B21M-1225	BOLT FLG M12X25 C8.8 YZD Iso8102	2	
11	B31M-0612	BOLT RH M6X12 C8.8 YZD ISO8678 Short Neck	8	
12	B31M-1025	BOLT RH M10X25 C8.8 YZD ISO8678 Short Neck	6	
13	B38M-0816	BOLT RH ALLEN M8x16 C8.8 YZD DIN11252 No Neck	10	
14	CS1059-01	SEAL, BULB AFX LADDER SKIN	2	
15	CS851B	BRACKET DOOR PROX SNSR	1	
16	CS857B	PLATE LADDER SENSOR MNT	1	
17	CS947BL	DEFLECTOR STRAW AFX LT	1	
18	CS947BR	DEFLECTOR STRAW AFX RT	1	
19	N21M-06	NUT FLG M6 C8 YZD Iso4161	8	
20	N21M-10	NUT FLG M10 C8 YZD Iso4161	6	

CaseIH 240 Series MAV Chopper
Chopper Ladder Kit Components

Date:07/13/2020

Serial No Range From:
RM25330

Serial No Range To:
PRESENT



CS0145-03-26

Indicate implement serial number with any parts order _____

CaseIH 240 Series MAV Chopper
Chopper Ladder Kit Components

Date:07/13/2020

Serial No Range From:
RM25330

Serial No Range To:
PRESENT

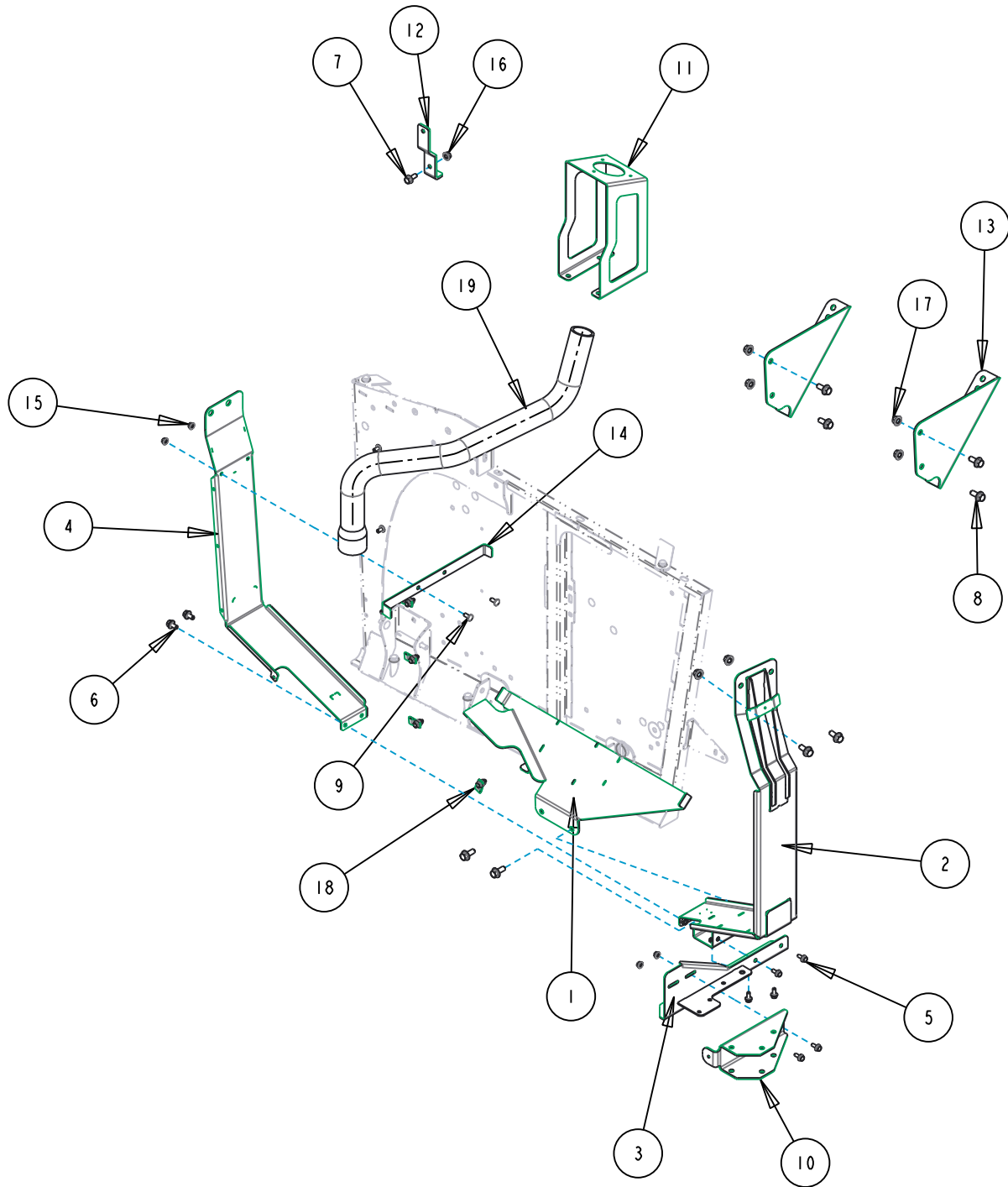
ITEM NO.	PART NO.	DESCRIPTION	QTY	NOTE
1	CS1026B	STEP, TOP LADDER AFX - BLACK	1	
2	CS1028B	BRACKET, LDR STEP EXT - BLACK	1	
3	CS927B	LINK PARALELL LDR AFX	1	
4	CS934Z	BOLT LADDER FRAME	2	
5	CS950B	ASSY AFX LADDER HANDLE	1	
6	B11M-0670	BOLT HEX M6X70 C8.8 YZD Iso4014	2	
7	B12M-1265	BOLT HEX M12X65 C10.9 YZD Iso4014	2	
8	B21M-0825	BOLT FLG M8X25 C8.8 YZD Iso8102	2	
9	B21M-1025	BOLT FLG M10X25 C8.8 YZD Iso8102	6	
10	B31M-1025	BOLT RH M10X25 C8.8 YZD ISO8678 Short Neck	18	
11	B31M-1030	BOLT RH M10X30 C8.8 YZD ISO8678 Short Neck	6	
12	B31M-1270	BOLT RH M12X70 C8.8 YZD ISO8678 Short Neck	4	
13	B38M-0816	BOLT RH ALLEN M8x16 C8.8 YZD DIN11252 No Neck	2	
14	CS836B	BRACKET LDR RAIL RELOCATE	2	
15	CS855-01	ROLLER RUBBER LADDER	2	
16	CS856Z	SPACER ROLLER	2	
17	CS935Z	PLATE SPACER LDR PVT	2	
18	CS948Z	SPACER LADDER BUMPER	2	
19	CS949B	PLATE LDR HANDLE ADJ	2	
20	CS951BL	BRACKET LDR HANDLE MT LT	1	
21	CS951BR	BRACKET LDR HANDLE MT LT	1	
22	CS976-01	LADDER SHIM PLATE	4	
23	N21M-10	NUT FLG M10 C8 YZD Iso4161	24	
24	N42M-06	NUT LOCK STL M6 C10 YZD DIN980V	2	
25	N42M-12	NUT LOCK STL M12 C10 YZD DIN980V	6	
26	W11M-12	WASHER FLAT M12 x 25.4 x 2.8 YZD	2	
27	W12M-12	WASHER FLAT M12 x 34 x 3.5 YZD	4	
	CS965BA	SHOCK COMPRESSOR TOOL	1	FOR REMOVAL AND INSTALLATION

CaseIH 240 series MAV Chopper
Chopper DEF Tank Components

Date:07/13/2020

Serial No Range From:
RM25330

Serial No Range To:
PRESENT



Indicate implement serial number with any parts order _____

CaseIH 240 Series MAV Chopper
Chopper DEF Tank Components

Date:07/13/2020

Serial No Range From:
RM25330

Serial No Range To:
PRESENT

ITEM NO.	PART NO.	DESCRIPTION	QTY	NOTE
1	CS826B	BTM DEF MOUNT	1	
2	CS829B	Bracket Rear Def Hanger	1	
3	CS831B	ARM PANEL LATCH	1	
4	CS890B	HANGER BRKT FRT DEF	1	
5	B21M-0820	BOLT FLG M8X20 C8.8 YZD Iso8102	10	
6	B21M-1020	BOLT FLG M10X20 C8.8 YZD Iso8102	2	
7	B21M-1025	BOLT FLG M10X25 C8.8 YZD Iso8102	1	
8	B21M-1230	BOLT FLG M12X30 C8.8 YZD Iso8102	10	
9	B31M-0820	BOLT RH M8x20 C8.8 YZD ISO8678 Short Neck	2	
10	CS786B	BRACKET SHROUD LATCH	1	
11	CS805B	BRACKET DEF FILL TUBE MAV	1	
12	CS835B	BRACKET DEF VENT MT	1	
13	CS862B	BRACKET 3OS AFX AIR TNK MT	2	
14	CS891B	BRKT TOP DEF GUIDE	1	
15	N21M-08	NUT FLG M8 C8 YZD Iso4161	8	
16	N21M-10	NUT FLG M10 C8 YZD Iso4161	1	
17	N21M-12	NUT FLG M12 C8 YZD Iso4161	10	
18	RP220	P-CLIP 2W .375 .75H INSULATED	4	
19	RP936	HOSE FORMED DEF FILL LINE	1	
	RP925	HARNESS ELECTRIC 3W X 7FT AMP -240S	1	DEF HARNESS EXT. FIELD INSTALL

CSOI45-03

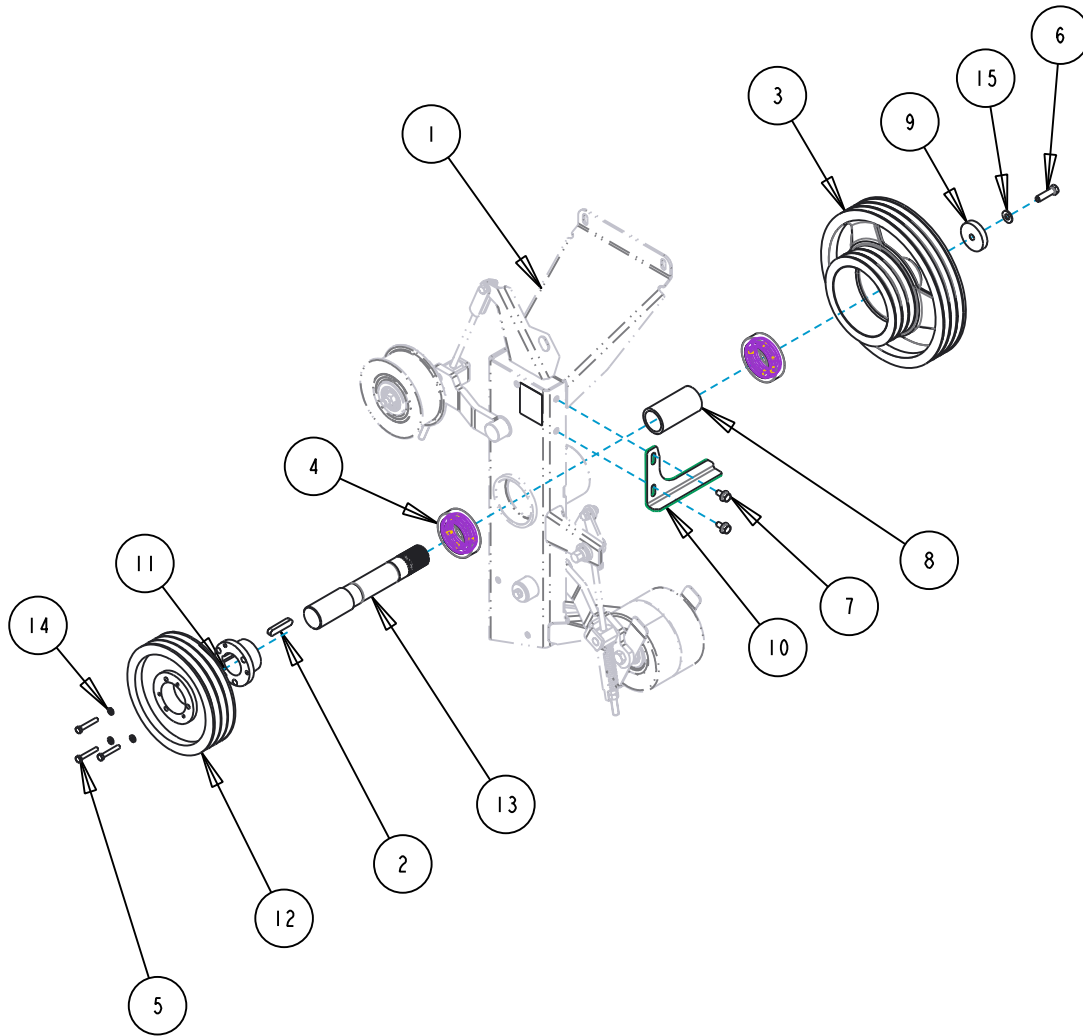
Indicate implement serial number with any parts order _____

CaseIH 240 Series MAV Chopper
Chopper Drive Mount Components

Date: 07/13/2020

Serial No Range From:
JS192

Serial No Range To:
JS277



CaseIH 240 Series MAV Chopper
Chopper Drive Mount Components

Date:07/13/2020

Serial No Range From:
JSI92

Serial No Range To:
JS277

ITEM NO.	PART NO.	DESCRIPTION	QTY	NOTE
1	CS771BA	Jackshaft Assy AFX 3B MY17	1	
2	323624	KEY OVAL 14mm x 9mm x 63mm L Class 5 Plain 1		
3	84188127	PULLEY 3B x 2 DRIVER JACKSHAFT	1	
4	87624213	BEARING BALL FLAT 45ID 100OD 25W	2	
5	BIIM-0850	BOLT HEX M8X50 C8.8 YZD Iso4014	3	
6	BIIM-1245	BOLT HEX M12X45 C8.8 YZD Iso4014	1	
7	B2IM-1020	BOLT FLG M10X20 C8.8 YZD Iso8102	2	
8	CS776-01	SLEEVE CASE JSHAFT	1	
9	CS777Z	WASHER .5 ID 2.5 OD .5 TK	1	
10	CS799B	Bracket Belt Guide	1	
11	RP291	BUSHING TAPER SK 50mm ID	1	
12	RP387	SHEAVE 3B 9.4PD SK	1	
13	RP920	SHAFT JACKSHAFT AFX	1	
14	W2IM-08	WASHER HELICAL LOCK M8	3	
15	W3IM-12	WASHER SPRING BVL .12 ID 27 OD 1.8 TK	1	

NSS = NOT SERVICED SEPARATLY

CS0145-03-31

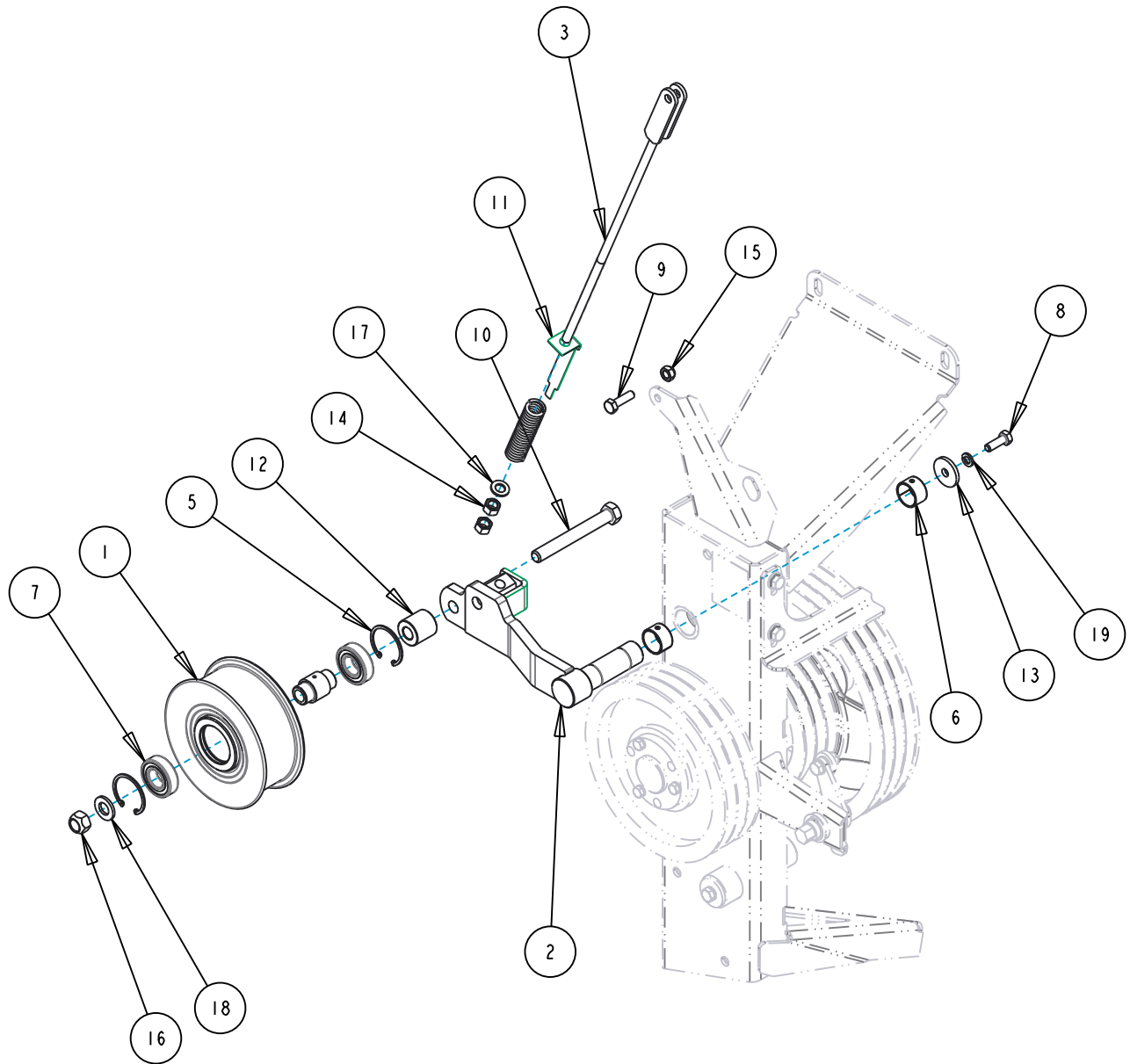
Indicate implement serial number with any parts order _____

CaseIH 240 Series MAV Chopper
Chopper Upper Arm Pivot Support Components

Date:07/13/2020

Serial No Range From:
JSI92

Serial No Range To:
JS277



CSOI45-03-32

Indicate implement serial number with any parts order _____

CaseIH 240 Series MAV Chopper
Chopper Upper Arm Pivot Support Components

Date:07/13/2020

Serial No Range From:
JSI92

Serial No Range To:
JS277

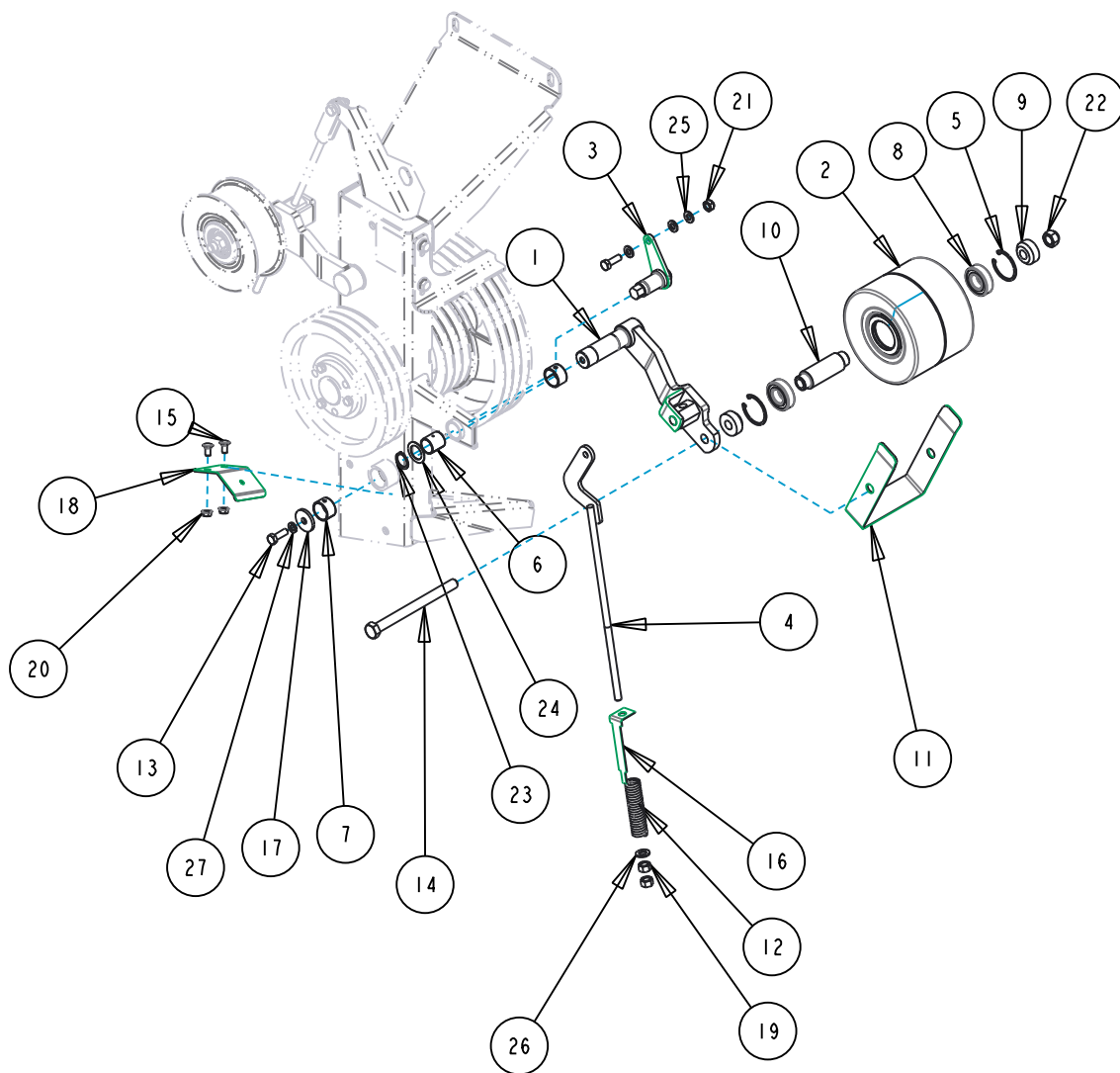
ITEM NO.	PART NO.	DESCRIPTION	QTY	NOTE
1	8407244I	IDLER ASSEMBLY	1	
2	84217450	Idler Assy Weld - Black	2	
3	CS1005Z	LINK TENSION I9L ROLLED THREAD	1	
4	CS784A	SPRING ASSY INTERNAL CHOPPER HS	1	
5	370011	CIRCLIP M52 x 2	2	
6	420434	BUSHING DX 30ID x 20L	4	
7	443898	BEARING, BALL FLAT 25ID	2	
8	BIIM-1030	BOLT HEX M10X30 C8.8 YZD Iso4014	3	
9	BIIM-1035	BOLT HEX M10X35 C8.8 YZD Iso4014	1	
10	BIIM-16130	BOLT HEX M16X130 C8.8 YZD Iso4014	1	
11	CS1004-01	INDICATOR SPRING AFX UPPER IDLER - YZD	1	
12	CS778Z	SPACER 0.656 ID X 1.375 OD X 1.375L	1	
13	CS779Z	WASHER .438 X 1.563 X .188TK	2	
14	NIIM-12	NUT HEX M12 C8 YZD ISO4032	2	
15	N42M-10	NUT LOCK STL M10 C10 YZD DIN980V	2	
16	N42M-16	NUT LOCK STL M16 C10 YZD DIN980V	1	
17	WIIM-12	WASHER FLAT M12 x 23.5 x 2.4 YZD	1	
18	WIIM-16	WASHER FLAT M16 x 32 x 3.5 YZD	1	
19	W2IM-10	WASHER HELICAL LOCK M10	2	

CaseIH 240 Series MAV Chopper
Chopper Lower Arm Pivot Support Components

Date:07/13/2020

Serial No Range From:
JS192

Serial No Range To:
JS277



CaseIH 240 Series MAV Chopper
Chopper Lower Arm Pivot Support Components

Date:07/13/2020

Serial No Range From:
JSI92

Serial No Range To:
JS277

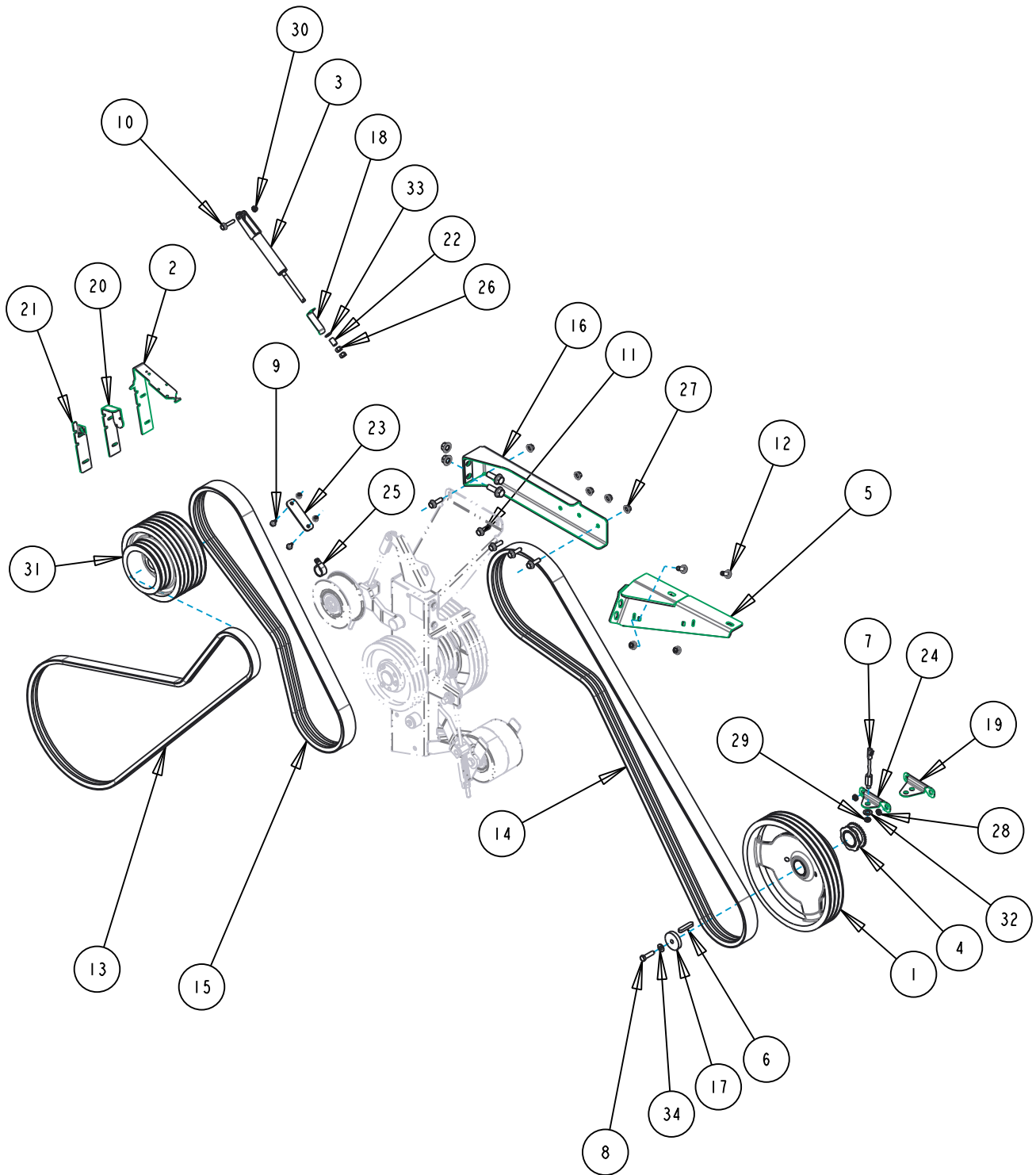
ITEM NO.	PART NO.	DESCRIPTION	QTY	NOTE
1	84217450	Idler Assy Weld - Black	2	
2	84221105	IDLER FLAT 5.35 W x 6.85 OD PAINTED	1	
3	CS1029Z	IDLER TENSION PIVOT WELD - BLACK	1	
4	CS981Z	TENSION ROD, AFX JACKSHAFT	1	
5	370011	CIRCLIP M52 x 2	4	
6	395589	BUSHING DX 25ID x 30L	1	
7	420434	BUSHING DX 30ID x 20L	4	
8	443898	BEARING, BALL FLAT 25ID	4	
9	84007680	SPACER IDLER - YZD	2	
10	84221086	SLEEVE FLAT IDER - PLAIN	1	
11	84230557	GUIDE PLATE IDLER	1	
12	84449503	SPRING-C 4.5 WR 25.75 OD 170L ZN	2	
13	BIIM-1030	BOLT HEX M10X30 C8.8 YZD Iso4014	3	
14	BIIM-16190	BOLT HEX M16X190 C8.8 YZD Iso4014	1	
15	B3IM-0816	BOLT RH M8x16 C8.8 YZD ISO8678 Short Neck	2	
16	CS1004-01	INDICATOR SPRING AFX UPPER IDLER - YZD	2	
17	CS779Z	WASHER .438 X 1.563 X .188TK	2	
18	CS824-01	BRACKET, HYD HOSE MOUNT	1	
19	NIIM-12	NUT HEX M12 C8 YZD ISO4032	4	
20	N2IM-08	NUT FLG M8 C8 YZD Iso4161	2	
21	N42M-10	NUT LOCK STL M10 C10 YZD DIN980V	2	
22	N42M-16	NUT LOCK STL M16 C10 YZD DIN980V	2	
23	Q2IM-25	RING SNAP EXT M25 YZD	1	
24	RPI16	M.B. 1.013 ID X 1.5 OD .045TK	1	
25	WIIM-10	WASHER FLAT M10 x 20 x 2.3 YZD	3	
26	WIIM-12	WASHER FLAT M12 x 23.5 x 2.4 YZD	2	
27	W2IM-10	WASHER HELICAL LOCK M10	2	

CaseIH 240 Series MAV Chopper Chopper Drive Components

Date: 07/13/2020

Serial No Range From:
JS192

Serial No Range To:
JS277



Indicate implement serial number with any parts order _____

CaseIH 240 Series MAV Chopper
Chopper Drive Components

Date:07/13/2020

Serial No Range From:
JSI92

Serial No Range To:
JS277

ITEM NO.	PART NO.	DESCRIPTION	QTY	NOTE
1	84188124	PULLEY 3B x 2 CHOPPER - BLACK	1	
2	CS1064Z	INTERNAL KNIFE LOCK-OUT - YZD	1	
3	CS784A	SPRING ASSY INTERNAL CHOPPER HS	1	
4	CS788Z	SPEED SENSOR AFX 7T / 30T	1	
5	CS796Z	GUSSET AFX COMBINE HOOD LT	1	
6	323624	KEY OVAL 14mm x 9mm x 63mm L Class 5 Plain 2		
7	47421734	SENSOR AFX SPREADER SPD 74cc MY13	1	AVAILABLE FROM CNH
8	B11M-1245	BOLT HEX M12X45 C8.8 YZD Iso4014	2	
9	B21M-0820	BOLT FLG M8X20 C8.8 YZD Iso8102	2	
10	B21M-1045	BOLT FLG M10X45 C8.8 YZD Iso8102	1	
11	B21M-1240	BOLT FLG M12X40 C8.8 YZD Iso8102	5	
12	B31M-1230	BOLT RH M12X30 C8.8 YZD ISO8678 Short Neck	2	
13	BE2B117K	VBELT 2B 117L KEVLAR	1	
14	BE3B135K	VBELT 3B 135L KEVLAR	1	
15	BE3B88K	VBELT 3B 88L KEVLAR	1	
16	CS772B	PLATE UPR JS MOUNT AFX 230/240s	1	
17	CS777Z	WASHER .5 ID 2.5 OD .5 TK	2	
18	CS797Z	INDICATOR INTERNAL CHOPPER HS SPRING 80MM 1		
19	CS833Z	MOUNT PLATE AFX SPD SENSOR DOUBLE	1	FIELD INSTALL SENSOR MOUNT
20	CS837Z	BRACKET NOTCHED 240 SERIES KBAR ADJ 25%	1	
21	CS838Z	BRACKET NOTCHED 230, 20, 10 SERIES KBAR ADJ 25%		
22	CS856Z	SPACER ROLLER	1	
23	CS874Z	Strap AFX sump line	1	
24	CS893Z	MOUNT PLATE AFX SPD SENSOR SINGLE	1	
25	H99-20	TUBE STRAP 1.25 OD ZN RUBBER	1	
26	N11M-12	NUT HEX M12 C8 YZD ISO4032	6	
27	N21M-12	NUT FLG M12 C8 YZD Iso4161	7	
28	N31M-12	NUT JAM M12 C8 YZD Iso4035	2	
29	N38-08	NUT JAM .5-20 UNF GR5 ZN	1	
30	N42M-10	NUT LOCK STL M10 C10 YZD DIN980V	3	
31	RP918	SHEAVE PTO REDEKOP 3B DRIVE	1	
32	W11-09	WASHER FLAT .563 ID ZN	1	
33	W11M-12	WASHER FLAT M12 x 23.5 x 2.4 YZD	3	
34	W31M-12	WASHER SPRING BVL .12 ID 27 OD 1.8 TK	2	
	RP956	KIT LASER ALIGNMENT TOOL	1	

CSOI45-03-37

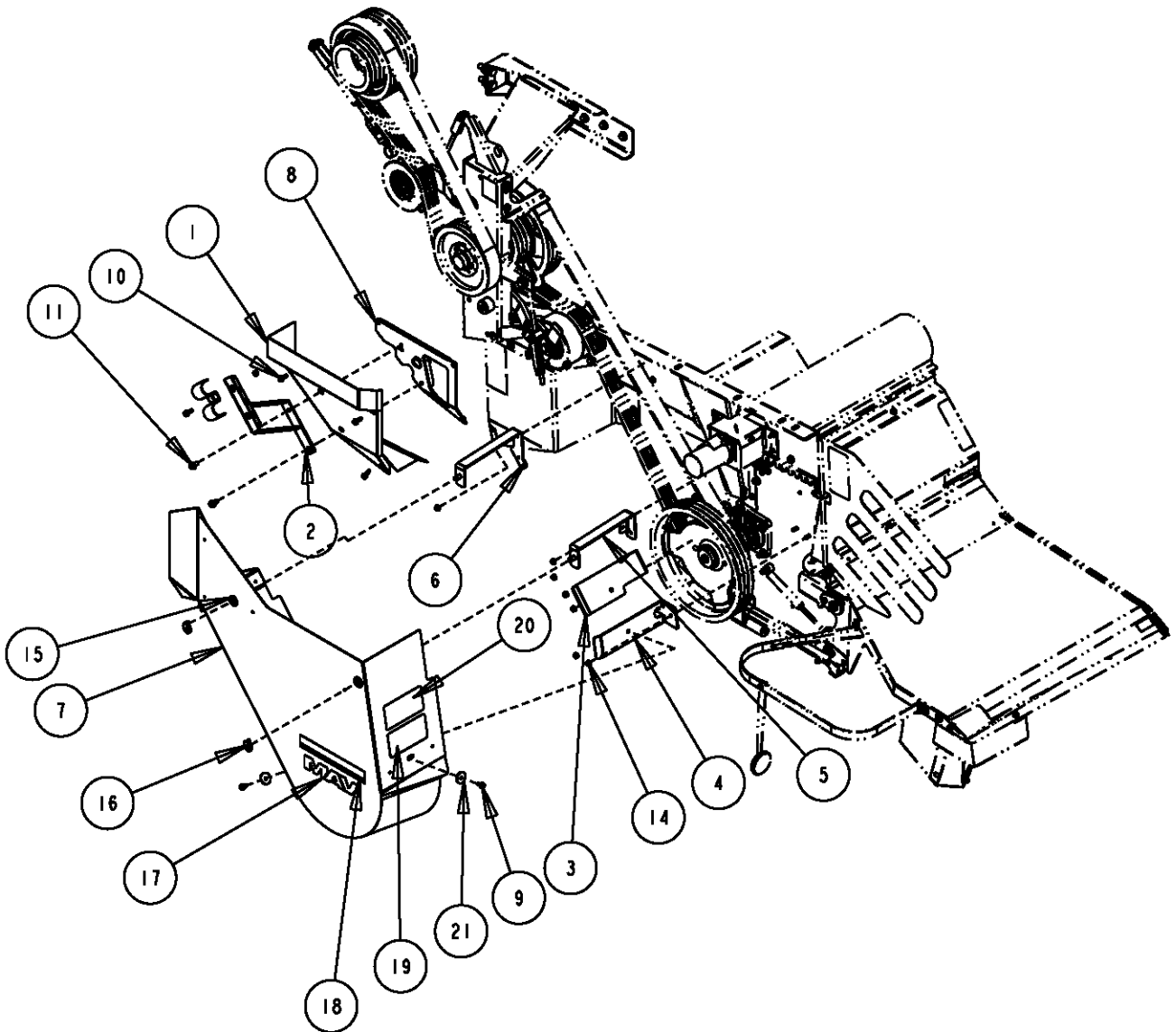
Indicate implement serial number with any parts order _____

CaseIH 240 Series MAV Chopper
Chopper Drive Shield Components

Date: 01/16/2019

Serial No Range From:
RM25330

Serial No Range To:
RM25760



CSO145-03-38

Indicate implement serial number with any parts order

CaseIH 240 Series MAV Chopper
Chopper Drive Shield Components

Date:01/16/2019

Serial No Range From:
RM25330

Serial No Range To:
RM25760

ITEM NO.	PART NO.	DESCRIPTION	QTY	NOTE
1	CS924B	DRV SHIELD UPPER AFX 230/240	1	
2	CS925B	BRACKET HYD DRV LINES AFX	1	
3	CS929B	AFX 240S MY17 SHIELD BRACKET	1	
4	CS930B	AFX 240S MY17 SHIELD BRACKET	1	
5	CS931B	AFX 240S MY17 SHIELD BRACKET	1	
6	CS932B	AFX 240S MY17 SHIELD BRACKET	1	
7	CS979BA	LWR DRIVE SHEILD ASSY AFX 230/240 MY18.5	1	
8	CS983B	MOUNT UPPER DRV SHIELD AFX MY18.5	1	
9	B21M-0820	BOLT FLG MBX20 C8.8 YZD Iso8102	44	
10	B21M-0825	BOLT FLG MBX25 C8.8 YZD Iso8102	18	
11	B21M-1020	BOLT FLG M10X20 C8.8 YZD Iso8102	4	
12	N21M-08	NUT FLG M8 C8 YZD Iso4161	185	
13	RP126	GROMMET .75ID 1.063H .188TK	2	
14	RP128	PIN LYNCH .25 x 1.5L w/CHAIN	2	
15	RP175	DECAL MAV 2H x 10L	1	
16	RP240	DECAL REDEKOP 1.75H x 11.5L	3	
17	RP874	DECAL SAFETY BELT KEEP HANDS OUT	1	
18	RP876	DECAL SAFETY HYDRAULIC HAZARD	1	
19	W41M-08	WASHER FLAT M8 x 38 x 2.5 YZD	4	

CS0145-03-39

Indicate implement serial number with any parts order

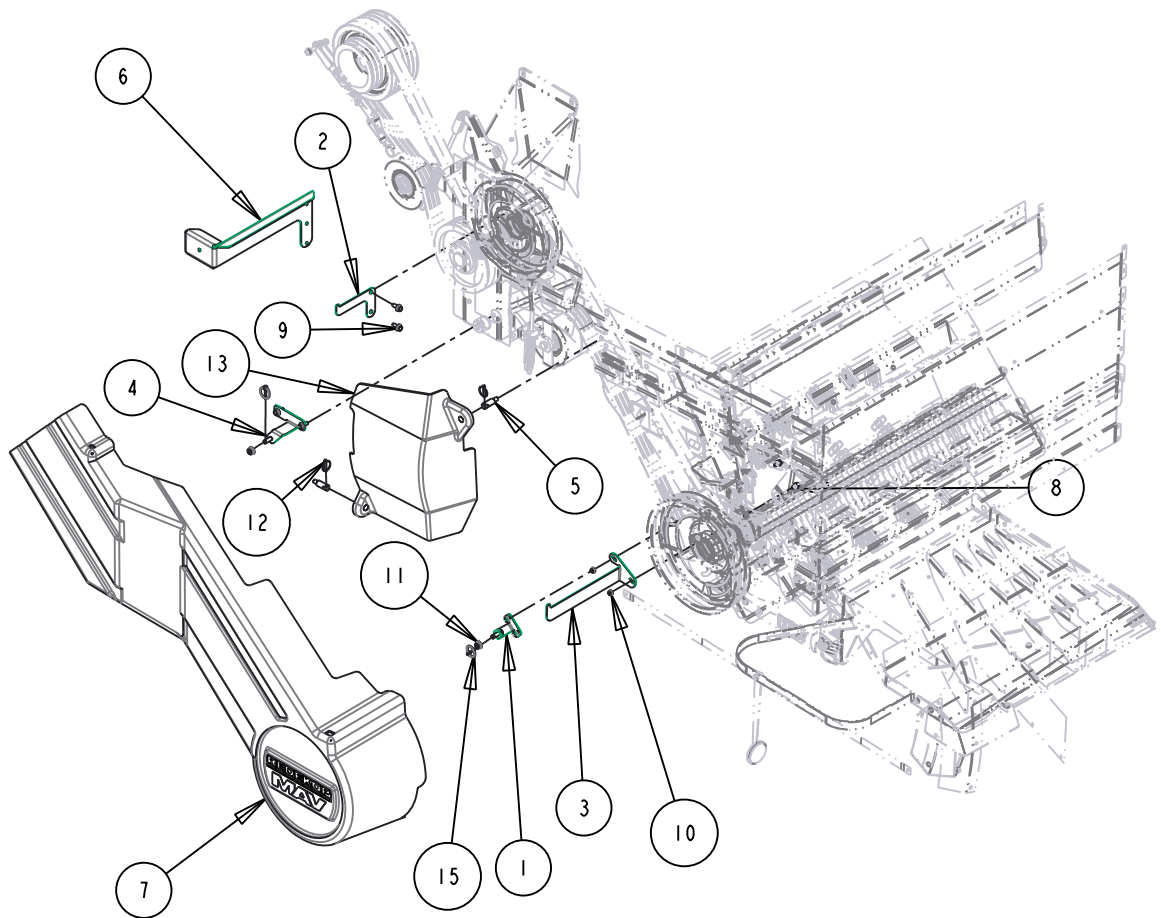
CASE IH 240 Series MAV Chopper
Chopper Drive Shield Components

Page:38-3

Serial No Range From:
25761

Serial No Range To:
PRESENT

Date:07/15/2020



CASE IH 240 Series MAV Chopper
Chopper Drive Shield Components

Page:38-4

Serial No Range From:

Serial No Range To:

Date:07/15/2020

25761

PRESENT

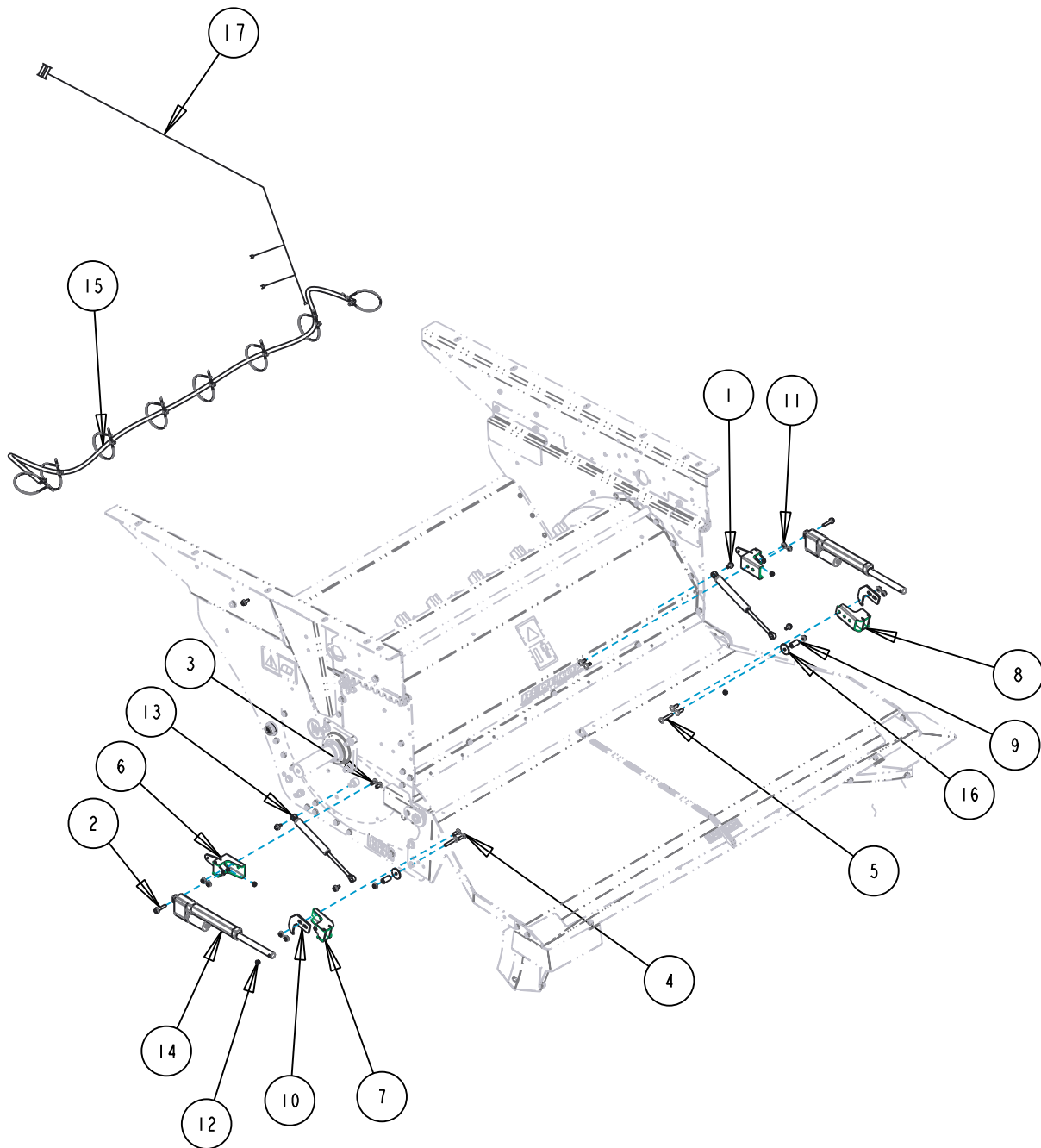
ITEM NO.	PART NO.	DESCRIPTION	QTY	NOTE
1	CSIO17B	BRACKET SHIELD LATCH BTM REAR	1	
2	CSIO23B	HANGER TOP FRT SHIELD	1	
3	CSIO24B	HANGER SHIELD LATCH TOP FRT	1	
4	CSIO25B	BRACKET BTM FRT SHIELD MT	1	
5	CSIO35Z	PIN VENT COMBINE MT AFX	4	
6	CSIO46B	BRACKET HOSE SUPPORT	1	
7	RP997A	CASE AFX BTM SHIELD	1	
8	B2IM-0820	BOLT FLG M8X20 C8.8 YZD Iso8102	10	
9	B2IM-1025	BOLT FLG M10X25 C8.8 YZD Iso8102	4	
10	N2IM-08	NUT FLG M8 C8 YZD Iso4161	14	
11	N2IM-12	NUT FLG M12 C8 YZD Iso4161	2	
12	RPI28	PIN LYNCH .25 x 1.5L w/LANYARD ZN	4	
13	RP998	VENT AFX LEFT	1	
14	RPI001	VENT AFX RIGHT	1	
15	RPI105	PIN, LYNCH 3/16"x1.25"	2	

CaseIH 240 Series MAV Chopper
Chopper Actuated Tailboard Components

Date: 07/13/2020

Serial No Range From:
RM25330

Serial No Range To:
PRESENT



CS0145-03-40

Indicate implement serial number with any parts order _____

Case IH 240 Series MAV Chopper
Chopper Actuated Tailboard Components

Date: 07/13/2020

Serial No Range From:
RM25330

Serial No Range To:
PRESENT

ITEM NO.	PART NO.	DESCRIPTION	QTY	NOTE
1	B2IM-0816	BOLT FLG M8X16 C8.8 YZD Iso8102	12	
2	B2IM-0840	BOLT FLG M8X40 C8.8 YZD Iso8102	2	
3	B3IM-0820	BOLT RH M8x20 C8.8 YZD ISO8678 Short Neck	15	
4	B3IM-0825	BOLT RH M8x25 C8.8 YZD ISO8678 Short Neck	4	
5	B3IM-0850	BOLT RH M8x50 C8.8 YZD ISO8678 Short Neck	2	
6	CS701-01	ACTUATOR MOUNT CHOPPER	2	
7	CS705-OIL	ACTUATOR MOUNT TAILBOARD OFFSET LEFT	1	
8	CS705-OIR	ACTUATOR MOUNT TAILBOARD OFFSET RIGHT	1	
9	CS972-01	TUBE SPACER	2	
10	CS973-01	HOOK TAILBOARD STOP	2	
11	N2IM-08	NUT FLG M8 C8 YZD Iso4161	136	
12	N42M-08	NUT LOCK STL M8 C10 YZD DIN980V	14	
13	RP951	GAS SHOCK END E96 12.1mm DIA 16mm L	4	
14	RP940	ACTUATOR 12V 3/2+174MM W/ POT	2	
15	RP977	HARNESS ELECTRIC 5W X 49 IN.	1	ACTUATOR TO ACTUATOR HARNESS
16	W4IM-08	WASHER FLAT M8 x 38 x 2.5 YZD	2	
17	47590048	HARNESS ELECTRIC SPREADER ADJUST	1	CASE IH PART ACTUATOR HARNESS

CS0145-03-41

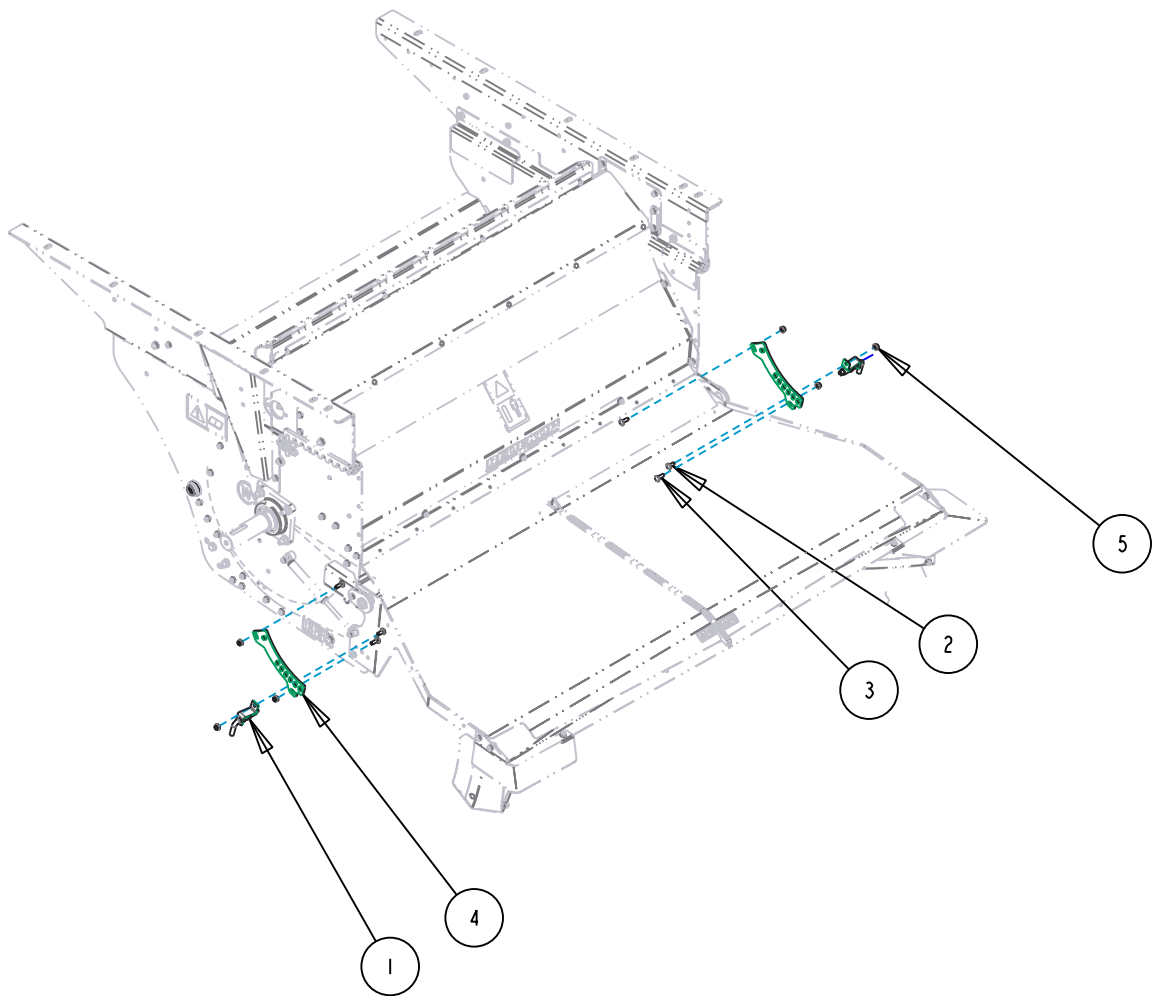
Indicate implement serial number with any parts order _____

CaseIH 240 Series MAV Chopper
Chopper Manual Tailboard Components

Date:07/13/2020

Serial No Range From:
RM25330

Serial No Range To:
PRESENT



CS0145-03-42

Indicate implement serial number with any parts order _____

CaseIH 240 Series MAV Chopper
 Chopper Manual Tailboard Components

Date:07/13/2020

Serial No Range From:
 RM25330

Serial No Range To:
 PRESENT

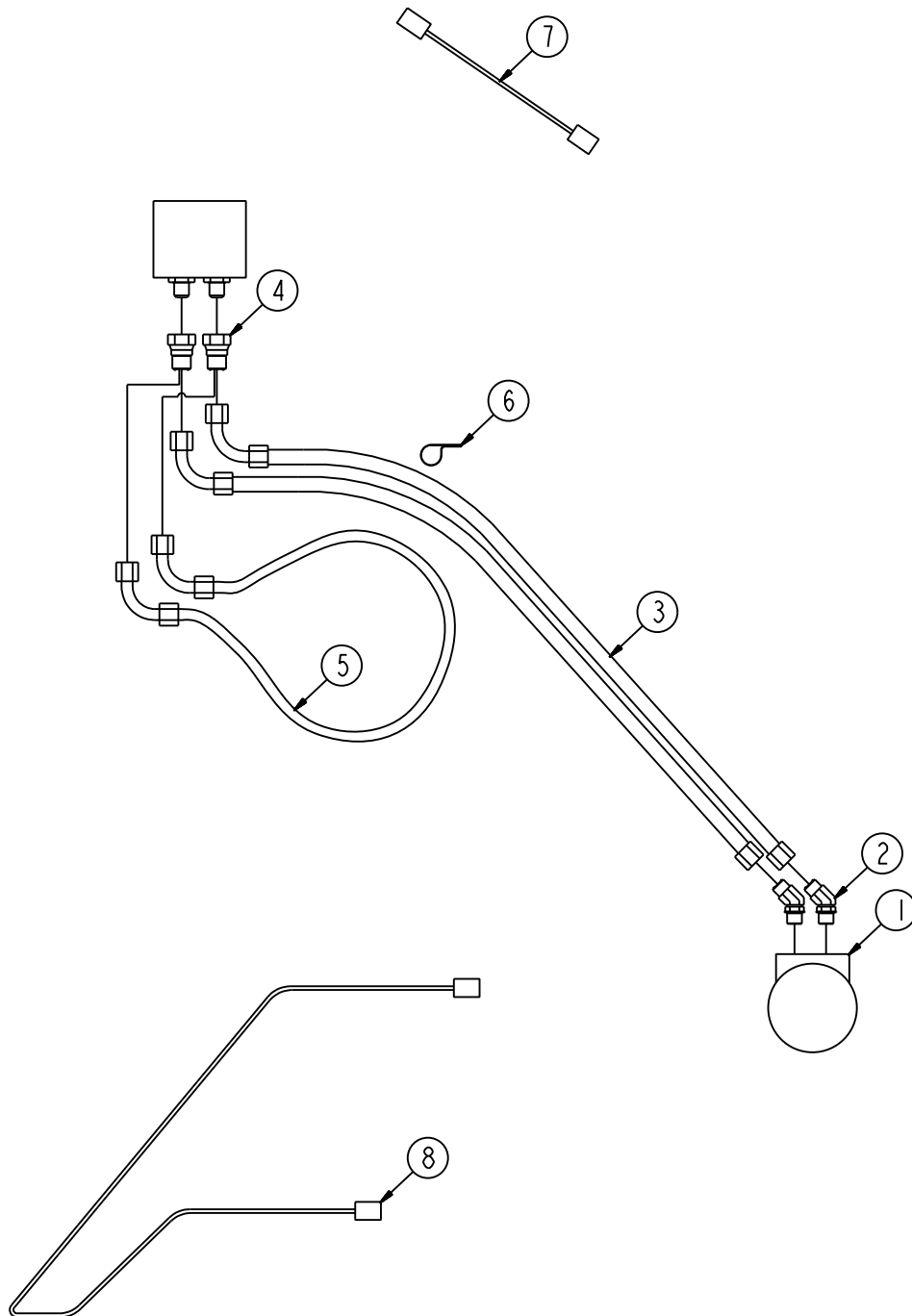
ITEM NO.	PART NO.	DESCRIPTION	QTY	NOTE
1	CG112BA	LATCH TBOARD ADJ	2	
2	B31M-0820	BOLT RH M8x20 C8.8 YZD ISO8678 Short Neck	2	
3	B31M-0825	BOLT RH M8x25 C8.8 YZD ISO8678 Short Neck	4	
4	CG314B	LUG TBOARD ADJ 6 HOLE	2	
5	N21M-08	NUT FLG M8 C8 YZD Iso4161	6	
6	CG314K	KIT CONVERSION MECH TAILBOARD ADJUSTMENT 1		

CaseIH 240 Series MAV Chopper
Chopper Hydraulics and Harness Components

Date:07/13/2020

Serial No Range From:
RM25330

Serial No Range To:
PRESENT



CaseIH 240 Series MAV Chopper
Chopper Hydraulics and Harness Components

Date:07/13/2020

Serial No Range From:
RM25330

Serial No Range To:
PRESENT

ITEM NO.	PART NO.	DESCRIPTION	QTY	NOTE
1	RP180	MOTOR HYDRAULIC EATON H5.9 2B 1.00" SHAFT 1		WINDROW HYDRAULIC MOTOR
2	H30-1010MF	FITTING HYDRAULIC 45DEG 10 MORG -10 MORFS 2		
3	HH115	HOSE HYDRAULIC .625 X 61L 100R2SN. 10	2	WINDROW ROLLER HYDRAULIC HOSE
4	H28-1012FF	FITTING HYDRAULIC STR 10 MORFS X 12 FORFS 2		
5	HH110	HOSE HYDRAULIC 0.75 X 26L 100R2SN	1	NON WINDROW HYDRAULIC HOSE
6	H99-18	TUBE STRAP 1.125 OD ZN RUBBER	5	
7	RP953	HARNESS ELECTRIC 2W X 32L DEUTSCH CON	1	STRAW DOOR HARNESS EXTENSION
8	RP892	HARNESS ELECTRIC 5W X 5FT METRIPACK AFX	1	ACTUATOR TO ACTUATOR HARNESS

CSOI45-03-45

Indicate implement serial number with any parts order _____