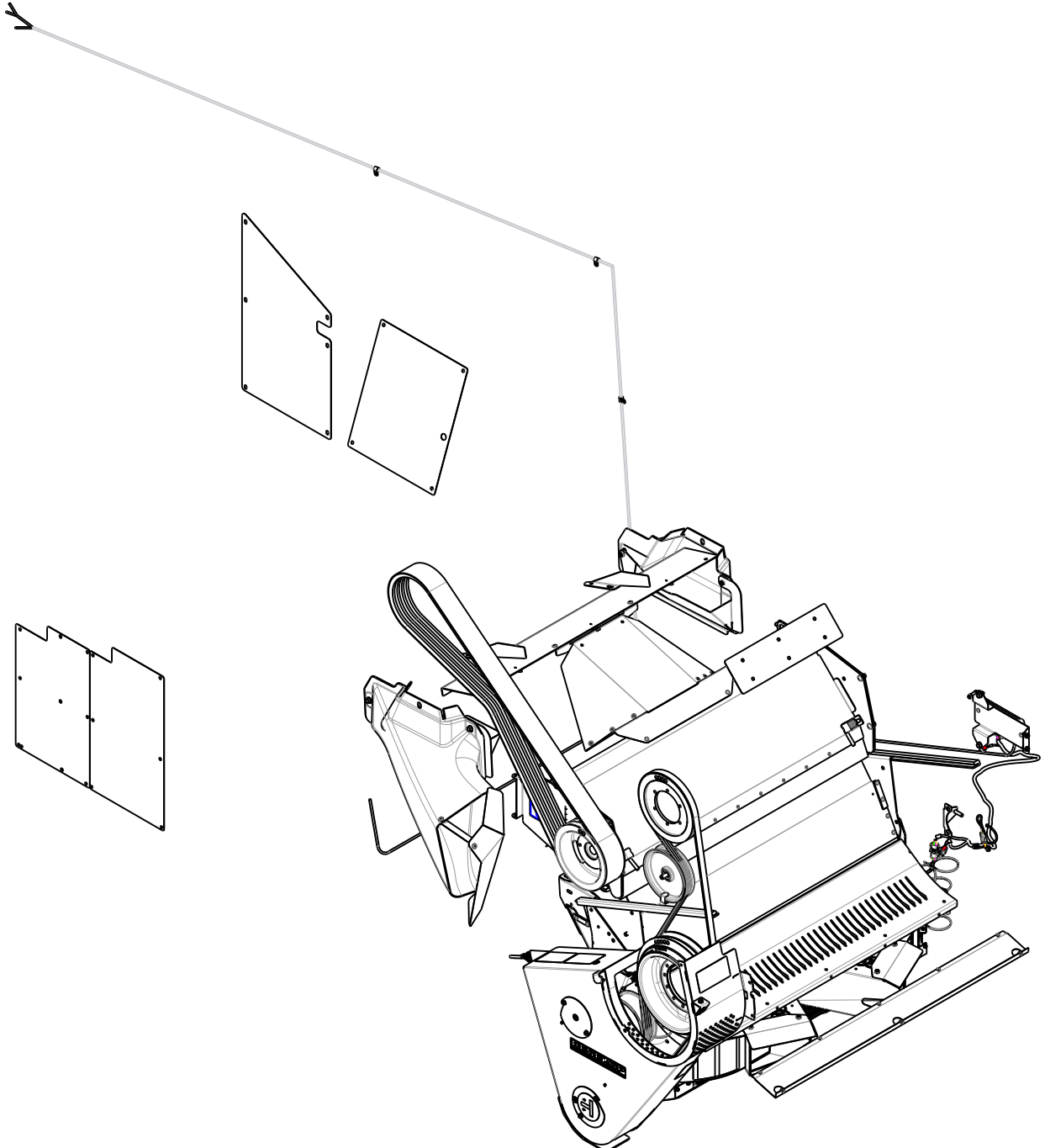


Seed Control Unit
for JD S-Series Combine
Parts Manual
SN#SCDA0300 to Present



Seed Control Unit for John Deere S-Series Combine

Page: I-1

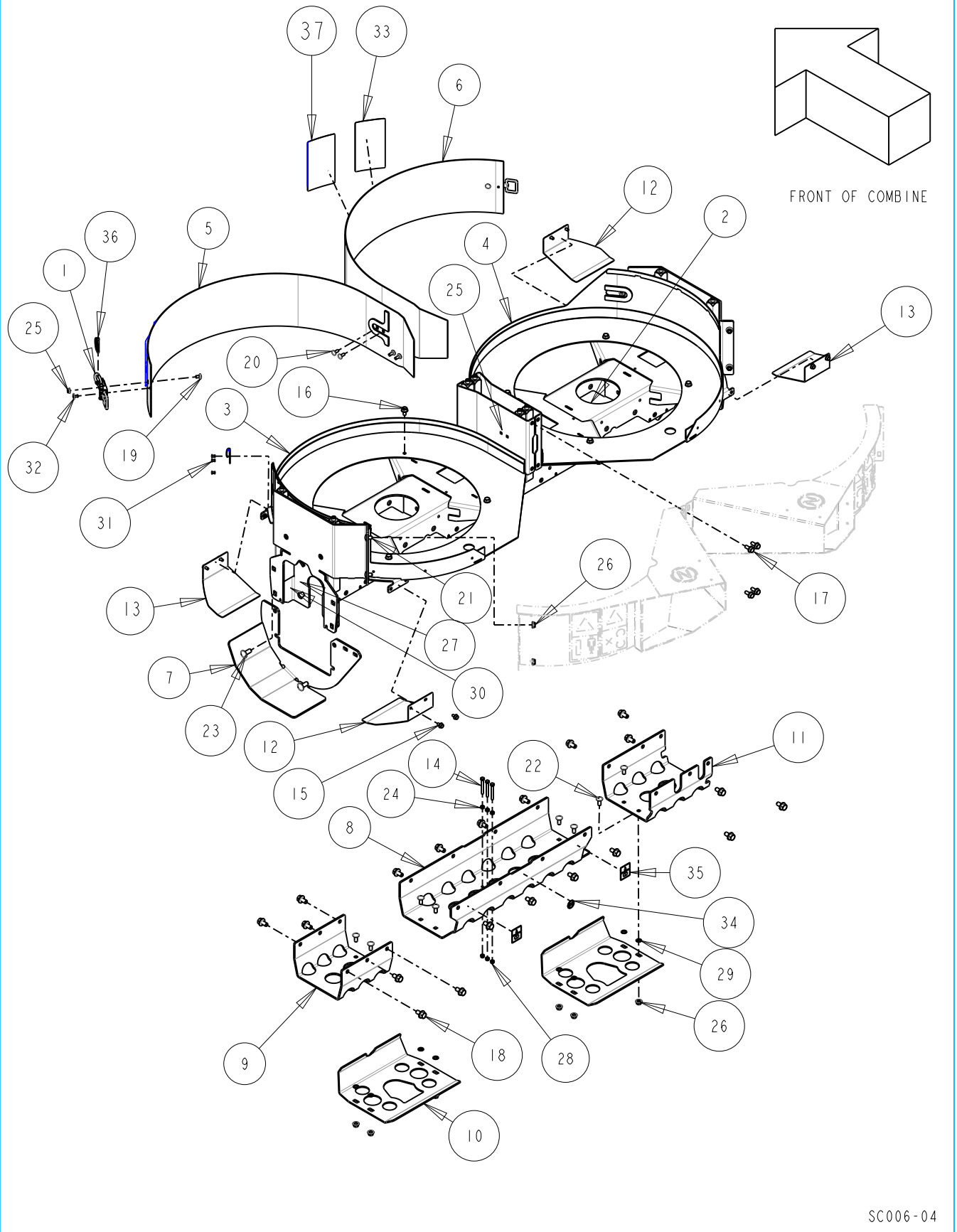
Date: 21JULY2021

Serial No Range From:

SCDAO300

Serial No Range To:

PRESENT



Indicate implement serial number with any parts order _____

Seed Control Unit for John Deere S-Series Combine

Page:1-2

Serial No Range From:

Serial No Range To:

Date:21JULY2021

SCDA0300

PRESENT

ITEM NO.	PART NO.	DESCRIPTION	QTY	NOTE
1	RPI073	LATCH, ADJUSTABLE	2	INCLUDES LATCH CATCH
2	SCI75G	BEAM, 175W SCU - GREEN	1	
3	SCI78GL	HOUSING BTM LT SC - GREEN	1	
4	SCI78GR	HOUSING BTM RT SC - GREEN	1	
5	SCI79GAL	COVER, MILL INSP W/ DECAL LT - GREEN	1	
6	SCI79GAR	COVER, MILL INSP W/ DECAL RT - GREEN	1	
7	SCI92G	GUARD, SCU FR DRIVE - GREEN	1	
8	SC357GA	COVER, TUBE BTM MID W/ DECALS - GREEN	1	
9	SC358G	COVER, TUBE BTM DRIVE - GREEN	1	
10	SC366G	SCU GBX SKID PLATE - GREEN	2	
11	SC403G	TUBE BTM COVER PUMP END - GREEN	1	
12	SC483GL	GUARD NARROW SCU HARNESS LT - GREEN	2	
13	SC483GR	GUARD NARROW SCU HARNESS RT - GREEN	2	
14	B1IM-0650	BOLT HEX M6X50 C8.8 YZD Iso4014	3	SHEAR BOLT SPARE
15	B2IM-0612	BOLT FLG M6X12 C8.8 YZD Iso8102	8	
16	B2IM-0816	BOLT FLG M8X16 C8.8 YZD Iso8102	8	
17	B2IM-0820	BOLT FLG M8X20 C8.8 YZD Iso8102	4	
18	B2IM-1020	BOLT FLG M10X20 C8.8 YZD Iso8102	20	
19	B3IM-0612	BOLT RH M6X12 C8.8 YZD ISO8678 Short Neck	2	
20	B3IM-0616	BOLT RH M6X16 C8.8 YZD ISO8678 Short Neck	4	
21	B3IM-0816	BOLT RH M8x16 C8.8 YZD ISO8678 Short Neck	4	
22	B3IM-0820	BOLT RH M8x20 C8.8 YZD ISO8678 Short Neck	8	
23	B3IM-1025	BOLT RH M10X25 C8.8 YZD ISO8678 Short Neck	2	
24	N1IM-06	NUT HEX M6 C8 YZD ISO4032	3	
25	N2IM-06	NUT FLG M6 C8 YZD Iso4161	6	
26	N2IM-08	NUT FLG M8 C8 YZD Iso4161	12	
27	N2IM-10	NUT FLG M10 C8 YZD Iso4161	2	
28	N4IM-06	NUT LOCK STL M6 C8 YZD DIN980V	3	
29	N63M-08	NUT PUSH M8 YZD	8	
30	N63M-10	NUT PUSH M10 BLACK PH	2	
31	RO3-07A	RIVET ALUM 0.188 x .25L	6	
32	RO3-08H	RIVET INCH GENERIC	2	
33	RPI086	DECAL SAFETY KICKBACK HAZARD	1	
34	RPI092	DECAL GREASE 50 HR	1	
35	RPI093	DECAL OIL SPEC CHECK MANUAL	2	
36	RPI094	PIN LYNCH M6 x 45L w/LANYARD ZN	2	
37	RPI089	DECAL EU SAFETY HAND INJURY/KEEP OUT	2	

SC006-04

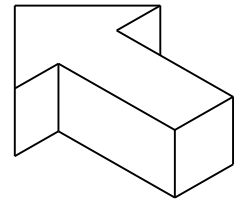
Indicate implement serial number with any parts order _____

Seed Control Unit for John Deere S-Series Combine

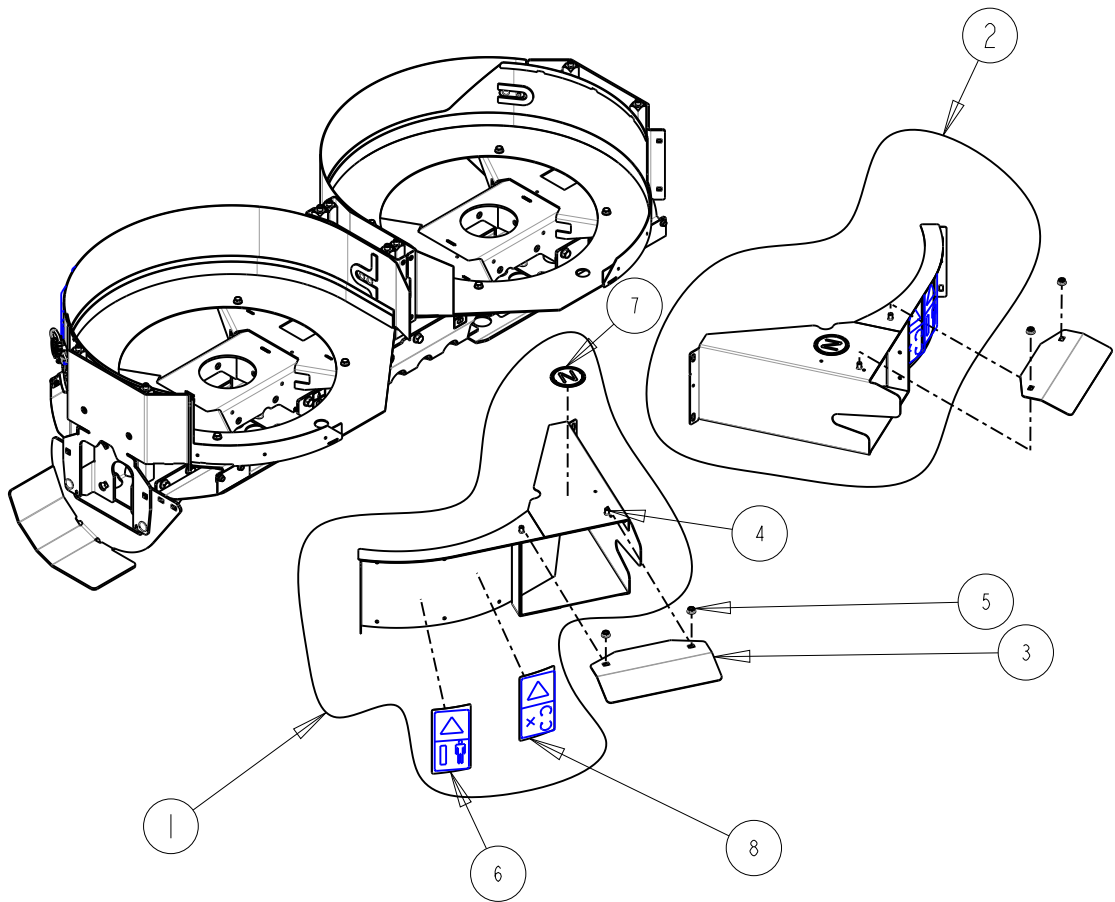
Page:2-1
Date: 21JULY2021

Serial No Range From:
SCDAO300

Serial No Range To:
PRESENT



FRONT OF COMBINE



POWER CAST AND ADVANCE POWER CAST TAILBOARD OUTLETS

SC006-04

Seed Control Unit for John Deere S-Series Combine

Page:2-2

Serial No Range From:

Serial No Range To:

Date:21JULY2021

SCDAO300

PRESENT

ITEM NO.	PART NO.	DESCRIPTION	QTY	NOTE
1	SC182GAL	OUTLET, ASSY SCU PC W/ DECALS LT - GREEN 1		
2	SC182GAR	OUTLET, ASSY SCU PC W/ DECALS RT - GREEN 1		
3	SC328G	DEFLECTOR, 20 DEG SCU PC OUTLET - GREEN	2	
4	B31M-0816	BOLT RH M8x16 C8.8 YZD ISO8678 Short Neck	4	
5	N21M-08	NUT FLG M8 C8 YZD Iso4161	4	
6	RP872	DECAL SAFETY PROJECTILE HAZARD	2	
7	RP963	DECAL "N"	2	
8	RPI089	DECAL SAFETY HAND CUT HAZARD	2	

SC006-04

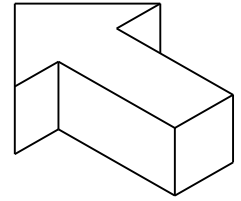
L Indicate implement serial number with any parts order _____

Seed Control Unit for John Deere S-Series Combine

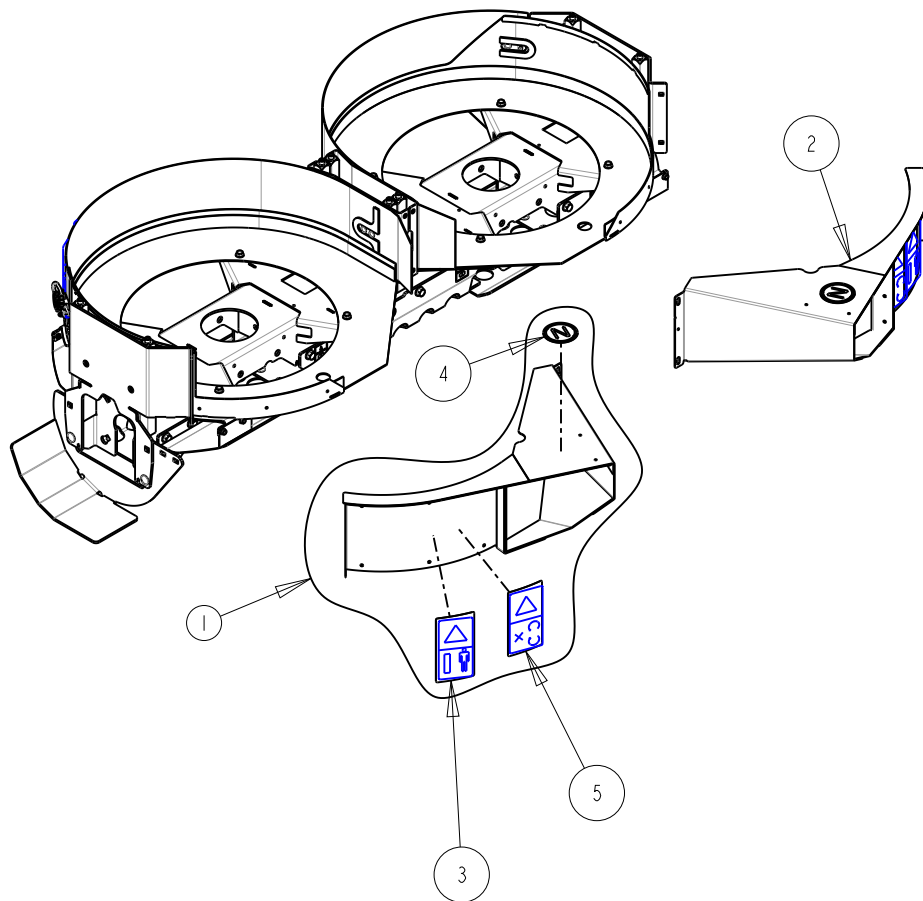
Page:2-3
Date: 21JULY2021

Serial No Range From:
SCDAO300

Serial No Range To:
PRESENT



FRONT OF COMBINE



VANE TAILBOARD OUTLETS

SC006-04

Seed Control Unit for John Deere S-Series Combine

Page:2-4

Serial No Range From:

Serial No Range To:

Date:21JULY2021

SCDA0300

PRESENT

ITEM NO.	PART NO.	DESCRIPTION	QTY	NOTE
1	SC180GAL	OUTLET LT SCU w/ DECALS - GREEN	1	
2	SC180GAR	OUTLET RT SCU w/ DECALS - GREEN	1	
3	RP872	DECAL SAFETY PROJECTILE HAZARD	1	
4	RP963	DECAL "N"	1	
5	RPI089	DECAL SAFETY HAND CUT HAZARD	1	

SC006-04

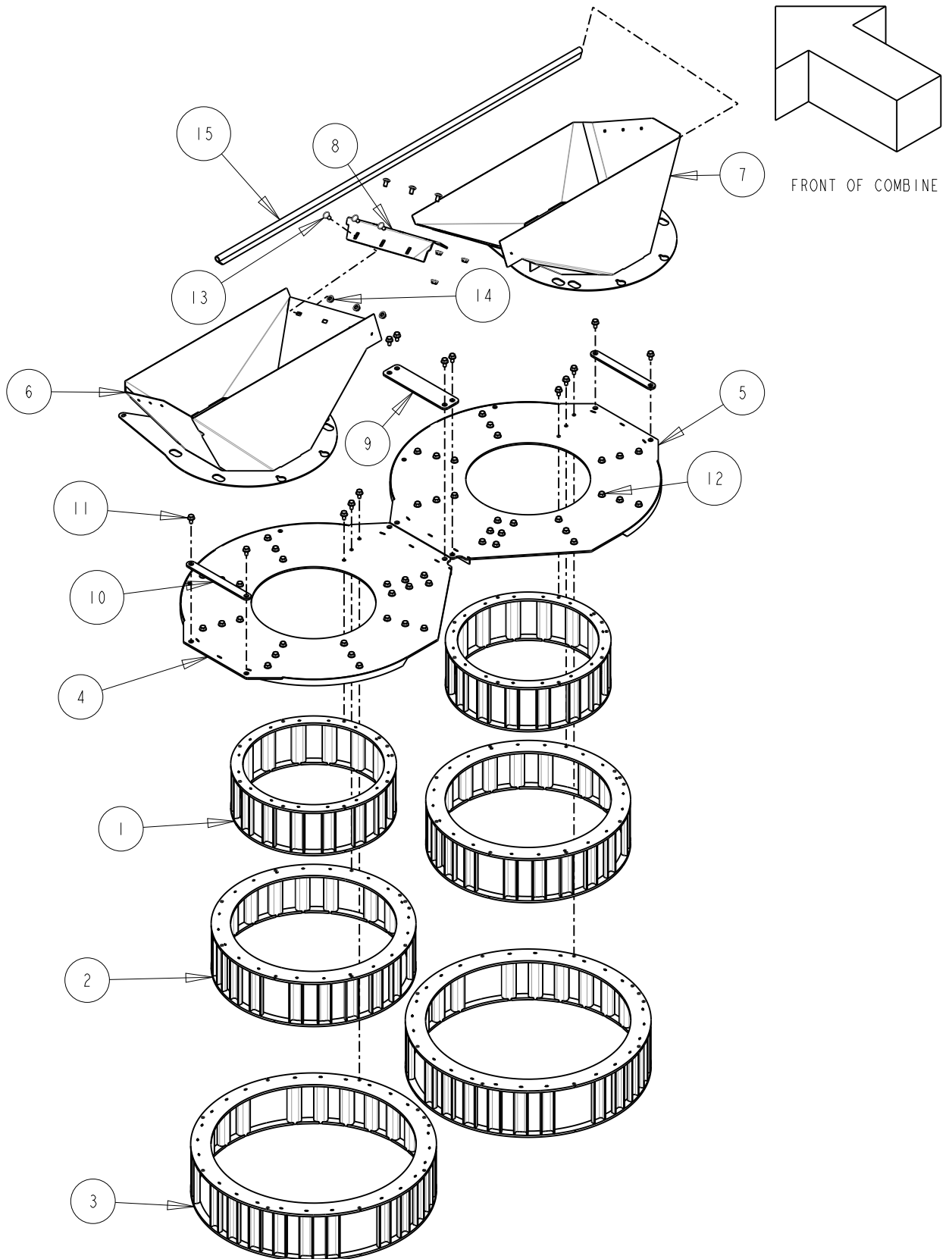
L Indicate implement serial number with any parts order _____

Seed Control Unit for John Deere S-Series Combine

Page:3-1
Date:17FEB2023

Serial No Range From:
SCDA0300

Serial No Range To:
PRESENT



SC006-04

Indicate implement serial number with any parts order _____

Seed Control Unit for John Deere S-Series Combine

Page:3-2
Date:17FEB2023

Serial No Range From:
SCDA0300

Serial No Range To:
PRESENT

ITEM NO.	PART NO.	DESCRIPTION	QTY	NOTE
1	SCI3IH	STATOR RING INNER	2	
2	SCI32H	STATOR RING MIDDLE	2	
3	SCI33H	STATOR RING OUTER	2	
4	SCI77GL	STATOR TOP LT - GREEN	1	
5	SCI77GR	STATOR TOP RT - GREEN	1	
6	SCI83GL	CHAFF INLET LT - GREEN	1	
7	SCI83GR	CHAFF INLET RT - GREEN	1	
8	SCI84G	NOSE CHAFF CHUTE - GREEN	1	
9	SC215G	PLATE HOUSING LINK - GREEN	1	
10	SC260G	LINK SCU POST - GREEN	2	
11	B2IM-0816	BOLT FLG M8X16 C8.8 YZD Iso8102	58	
12	B2IM-0820	BOLT FLG M8X20 C8.8 YZD Iso8102	4	
13	B3IM-0816	BOLT RH M8x16 C8.8 YZD ISO8678 Short Neck	6	
14	N2IM-08	NUT FLG M8 C8 YZD Iso4161	6	
15	SC420-01	BULB SEAL	1	
	SCI33K	KIT, GAPPED STATOR RINGS	2	INCLUDES SCI3IH, SCI32H, SCI33H

SC006-04

L Indicate implement serial number with any parts order _____

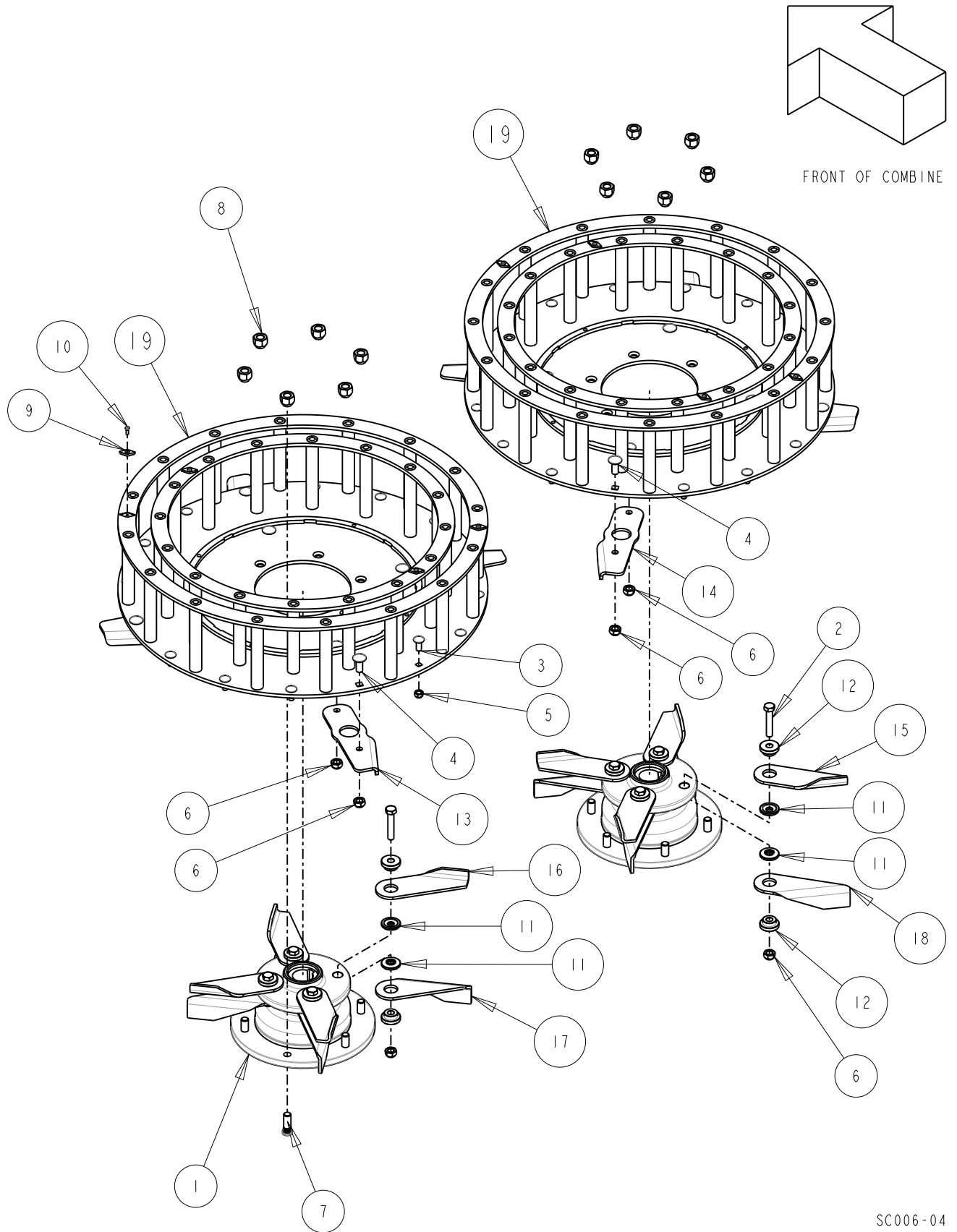
Seed Control Unit for John Deere S-Series Combine

Page:4-1

Date: 21JULY2021

Serial No Range From:
SCDAO300

Serial No Range To:
PRESENT



Indicate implement serial number with any parts order _____

Seed Control Unit for John Deere S-Series Combine

Page:4-2
Date:14DEC2022

Serial No Range From:
SCDA0300

Serial No Range To:
PRESENT

ITEM NO.	PART NO.	DESCRIPTION	QTY	NOTE
1	RPIO49A	HUB ASSY SCU ROTOR	2	INCLUDES RP987
2	B12M-1055	BOLT HEX MIOX55 C10.9 YZD Iso4014	8	
3	B31M-0820	BOLT RH M8x20 C8.8 YZD ISO8678 Short Neck	24	
4	B31M-1025	BOLT RH MIOX25 C8.8 YZD ISO8678 Short Neck	16	
5	N42M-08	NUT LOCK STL M8 C10 YZD DIN980V	24	
6	N42M-10	NUT LOCK STL M10 C10 YZD DIN980V	24	
7	RP987	BOLT STUD M12-1.5 35L C10.9 ZN	12	
8	RPIO12	NUT WHEEL M12-1.5 C10 ZN	12	
9	RPIO17	SCRAPER SC ROTOR TOP	8	NSS - RPIO17K
10	RPIO28	SCREW TAPER HEAD TORX M4x14 BLK	8	NSS - RPIO17K
11	SCI63-01	BUSHING BLADE SCU INNER	16	NSS - SCI74K
12	SCI65H	BUSHING BLADE SCU OUTER /H	16	NSS - SCI74K
13	SC204LC	BLADE SC DISC BTM LT /C	4	NSS - SC253CK
14	SC204RC	BLADE SCU RT ROTOR BTM /C	4	NSS - SC253CK
15	SC252LC	BLADE FAN LT SCU /C 0.78w	4	NSS - SC253CK
16	SC252RC	BLADE FAN RT SCU /C 0.78w	4	NSS - SC253CK
17	SC253LC	BLADE FAN LT SCU /C 1.5w	4	NSS - SC253CK
18	SC253RC	BLADE FAN RT SCU /C 1.5w	4	NSS - SC253CK
19	SCI30A	ROTOR SCU /SERVICE 16/16	2	INCLUDES ITEM NO.: 3,5,9,10
	SCI74K	KIT, BUSHING BLADE SCU (32)	1	INCLUDES ITEM NO.: 6,11,12
	SC253CK	KIT, BLADE FAN SCU (12L/12R)	1	INCLUDES ITEM NO.: 2,4,6,13,14,15,16,17,18
	RPIO17K	KIT, SCRAPER SCU ROTOR (8)	1	INCLUDES ITEM NO.: 9,10
	RPIO28K	KIT, SCREW TAPER HEAD TORX M4x14L (16)		INCLUDES 16PCS RPIO28

NSS = NOT SERVICED SEPARATELY

SC006-04

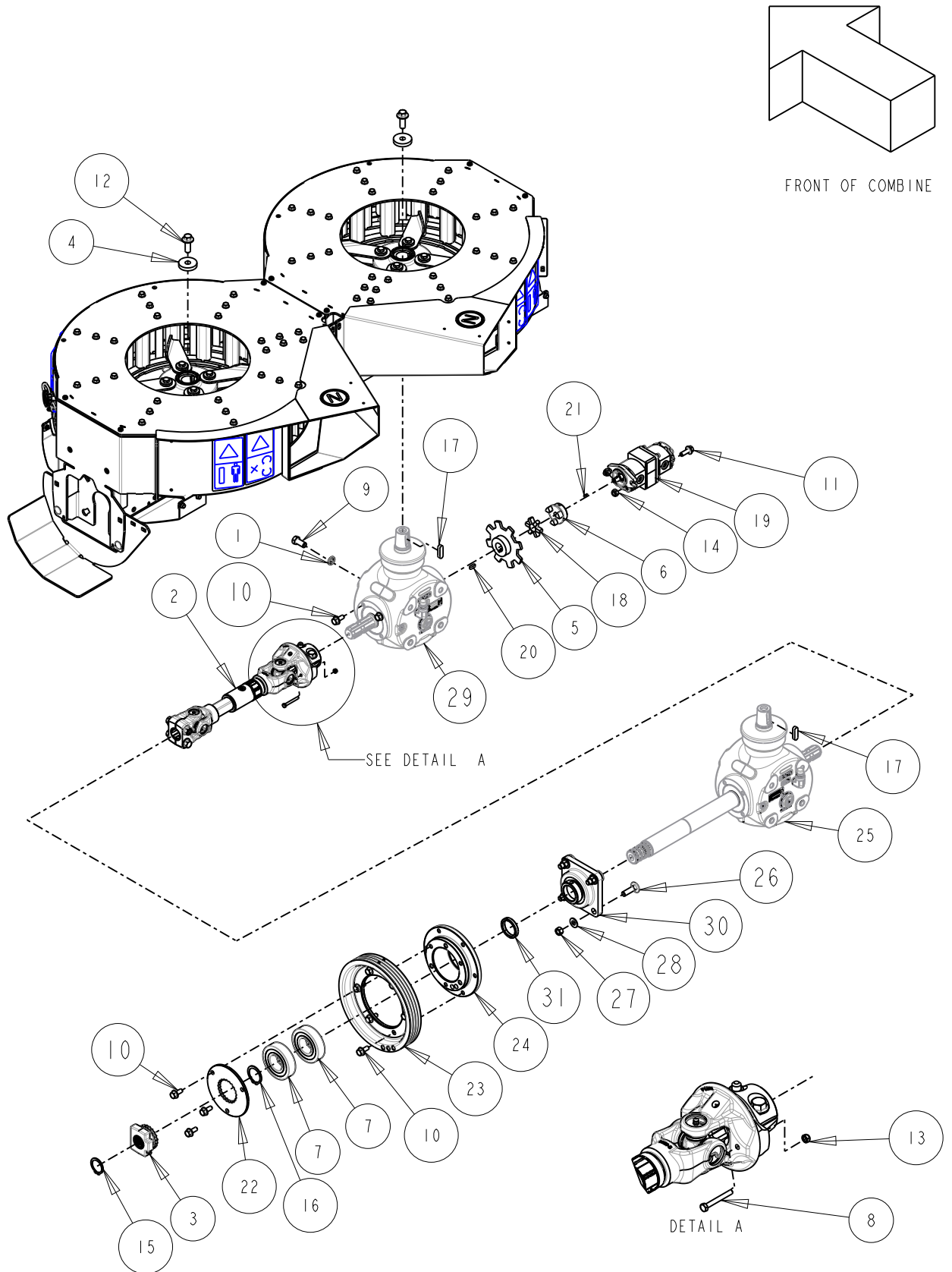
Indicate implement serial number with any parts order _____

Seed Control Unit for John Deere S-Series Combine

Page:5-1
Date: 21JULY2021

Serial No Range From:
SCDA0300

Serial No Range To:
SCDA0308



SC006-04

Indicate implement serial number with any parts order _____

Seed Control Unit for John Deere S-Series Combine

Page:5-2
Date:21JULY2021Serial No Range From:
SCDA0300Serial No Range To:
SCDA0308

ITEM NO.	PART NO.	DESCRIPTION	QTY	NOTE
1	RPI041	WASHER, WEDGE LOCK, M14, PAIR	8	
2	RPI193	DRIVELINE ASSY 1.375-6 SPLINE w/ SHEARBOLT	1	
3	RPI162A	COUPLER DRIVE ASSY 24T/ 21T EXT	1	
4	SCI13Z	WASHER ROTOR SCU	2	
5	SCI53Z	PICKUP, SPEED SENSOR 8 LUG YZD	1	
6	SC226Z	COUPLING 3 JAW	1	
7	87624213	BEARING, 45mm ID	2	
8	BIIM-0650	BOLT HEX M6X50 C8.8 YZD Iso4014	1	
9	BI2M-1430	BOLT HEX M14X30 C10.9 YZD Iso4014	8	
10	B21M-1025	BOLT FLG M10X25 C8.8 YZD Iso8102	17	
11	B21M-1030	BOLT FLG M10X30 C8.8 YZD Iso8102	2	
12	B21M-1440	BOLT FLG M14X40 C8.8 YZD Iso8102	2	
13	N41M-06	NUT LOCK STL M6 C8 YZD DIN980V	1	
14	N42M-10	NUT LOCK STL M10 C10 YZD DIN980V	2	
15	Q23M-40	SNAP RING, EXT M40 YZD	1	
16	Q23M-45	SNAP RING, EXT M45 YZD	1	
17	RPI007	KEY, OVAL 12mm x 8mm x 40mm L Steel Oiled	2	
18	RPI051	COUPLING, SPIDER JAW	1	
19	RPI072	PUMP, HYD, CCW	1	
20	RPI079	KEY, OVAL 0.25in x 0.25in x 0.75in L Steel Oiled	1	
21	RPI082	KEY, OVAL 0.125in x 0.125in x 0.5in L Steel Oiled	1	
22	RPI117	COUPLING SHEAVE 21T	1	
23	RPI159	SHEAVE RING SCU 4M 10.83 OD	1	
24	RPI160	HUB 4PVM SCU DRIVEN OFFSET	1	
25	RPI143G	GEARBOX 1:1.35 CW 6 Spline, Tapered, Long Shaft, GREEN	1	
26	B36M-1245	BOLT RH M12x45 C8.8 YZD Long Neck	4	S/S - BIIM-1850 (USED FOR RPI222A)
27	NIIM-12	NUT HEX M12 C8 YZD	4	S/S - N41M-18 (USED FOR RPI222A)
28	W31M-12	WASHER, BELLEVILLE	4	(NOT USED FOR RPI222A)
29	RPI112G	GEARBOX 1:1.35 CCW 6 SPLINE TAPERED - GREEN	1	
30	RP938A	BEARING ASSY 45MM	1	S/S - RPI222A
31	SC485Z	SPACER, 46ID 7L YZD	1	(NOT USED FOR RPI222A)
	RPI074	GEAR OIL, 75W90 EXTREME PRESSURE SYNTHETIC GL5		

S/S = SUPERSEDED BY

SC006-04

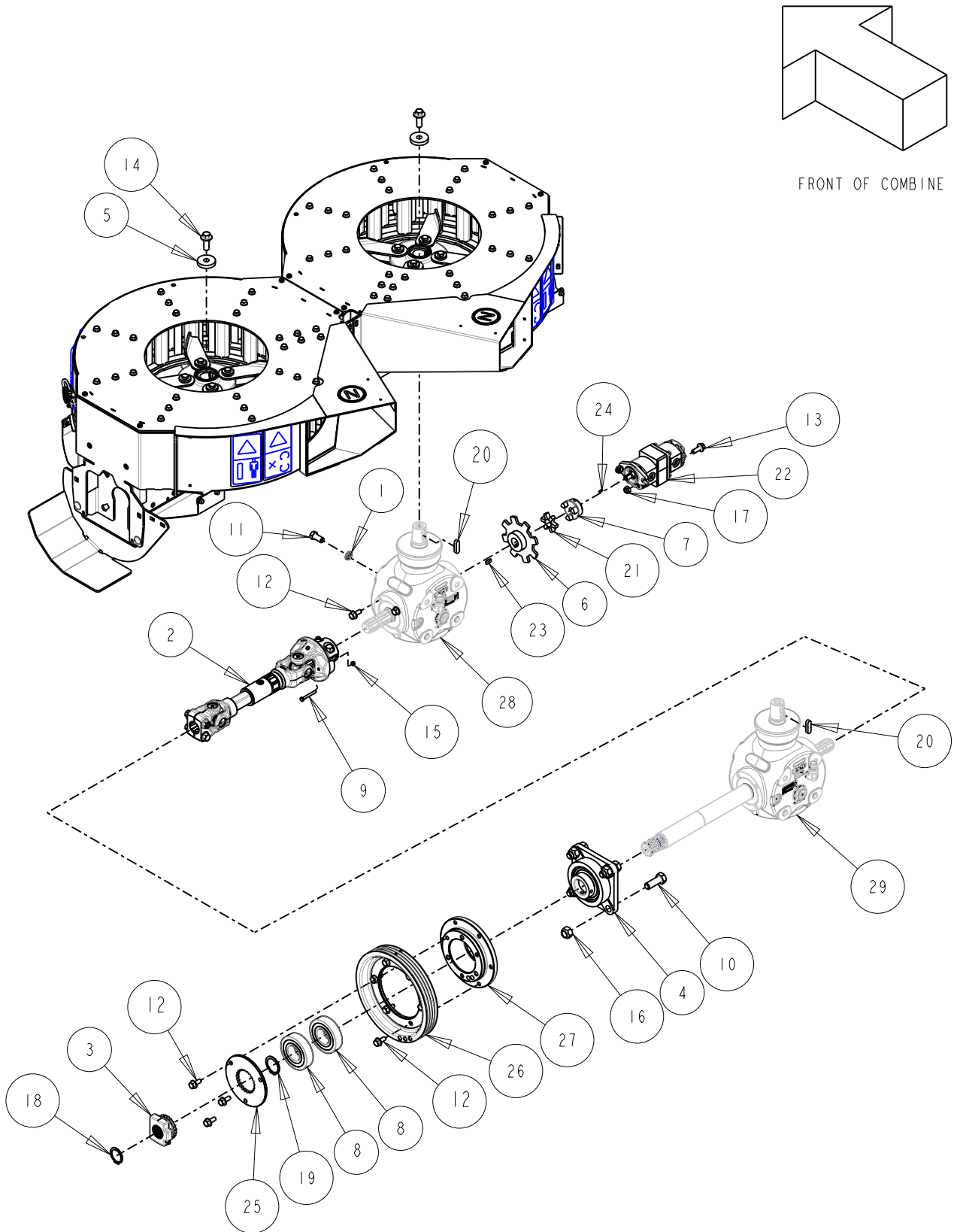
Indicate implement serial number with any parts order _____

Seed Control Unit for John Deere S-Series Combine

Page:5-3
Date:17FEB2023

Serial No Range From:
SCDA0309

Serial No Range To:
SCDA0599



SC006-04

Indicate implement serial number with any parts order _____

Seed Control Unit for John Deere S-Series Combine

Page:5-4
Date:17FEB2023Serial No Range From:
SCDA0309Serial No Range To:
SCDA0599

ITEM NO.	PART NO.	DESCRIPTION	QTY	NOTE
1	RPI041	WASHER WEDGE LOCK M14 PAIR	8	
2	RPI193	DRIVELINE ASSY 1.375-6 SPLINE w/ SHEARBOLT	1	
3	RPI162A	COUPLER DRIVE ASSY 24T/ 21T EXT	1	
4	RPI222A	BEARING ASSY 45mm HD ECL4B CAST FLG	1	
5	SCI13Z	WASHER ROTOR SCU	2	
6	SCI53Z	PICKUP, SPEED SENSOR 8 LUG YZD	1	
7	SC226Z	COUPLING 3 JAW	1	
8	87624213	BEARING, 45mm ID	2	
9	BIIM-0650	BOLT HEX M6X50 C8.8 YZD Iso4014	1	
10	BIIM-1850	BOLT HEX M18X50 C8.8 YZD Iso4014	4	
11	BI2M-1430	BOLT HEX M14x30 C10.9 YZD Iso4014	8	
12	B2IM-1025	BOLT FLG M10X25 C8.8 YZD Iso8102	17	
13	B2IM-1030	BOLT FLG M10X30 C8.8 YZD Iso8102	2	
14	B2IM-1440	BOLT FLG M14X40 C8.8 YZD Iso8102	2	
15	N4IM-06	NUT LOCK STL M6 C8 YZD DIN980V	1	
16	N4IM-18	NUT LOCK STL M18 C10 YZD DIN980V	4	
17	N42M-10	NUT LOCK STL M10 C10 YZD DIN980V	2	
18	Q23M-40	SNAP RING, EXT M40 YZD	1	
19	Q23M-45	SNAP RING, EXT M45 YZD	1	
20	RPI007	KEY, OVAL 12mm x 8mm x 40mm L Steel Oiled	2	
21	RPI051	COUPLING, SPIDER JAW	1	
22	RPI072	PUMP, HYD, CCW	1	
23	RPI079	KEY, OVAL 0.25in x 0.25in x 0.75in L Steel Oiled	1	
24	RPI082	KEY, OVAL 0.125in x 0.125in x 0.5in L Steel Oiled	1	
25	RPI117	COUPLING SHEAVE 21T	1	
26	RPI159	SHEAVE RING SCU 4M 10.83 OD	1	
27	RPI160	HUB 4PVM SCU DRIVEN OFFSET	1	
28	RPI112G	GEARBOX 1:1.35 CCW 6 SPLINE, TAPERED PUMP, BP - GREEN	1	
29	RPI143G	GEARBOX 1:1.35 CW 6 Spline, Tapered, Long Shaft, GREEN	1	
	RPI074	GEAR OIL, 75W90 EXTREME PRESSURE SYNTHETIC GL5		
	RPI22A_ZERK	OEM ZERK STRAIGHT RPI22A FLANGE BEARING	1	S/S RPI446

S/S = SUPERSEDED BY

SC006-04

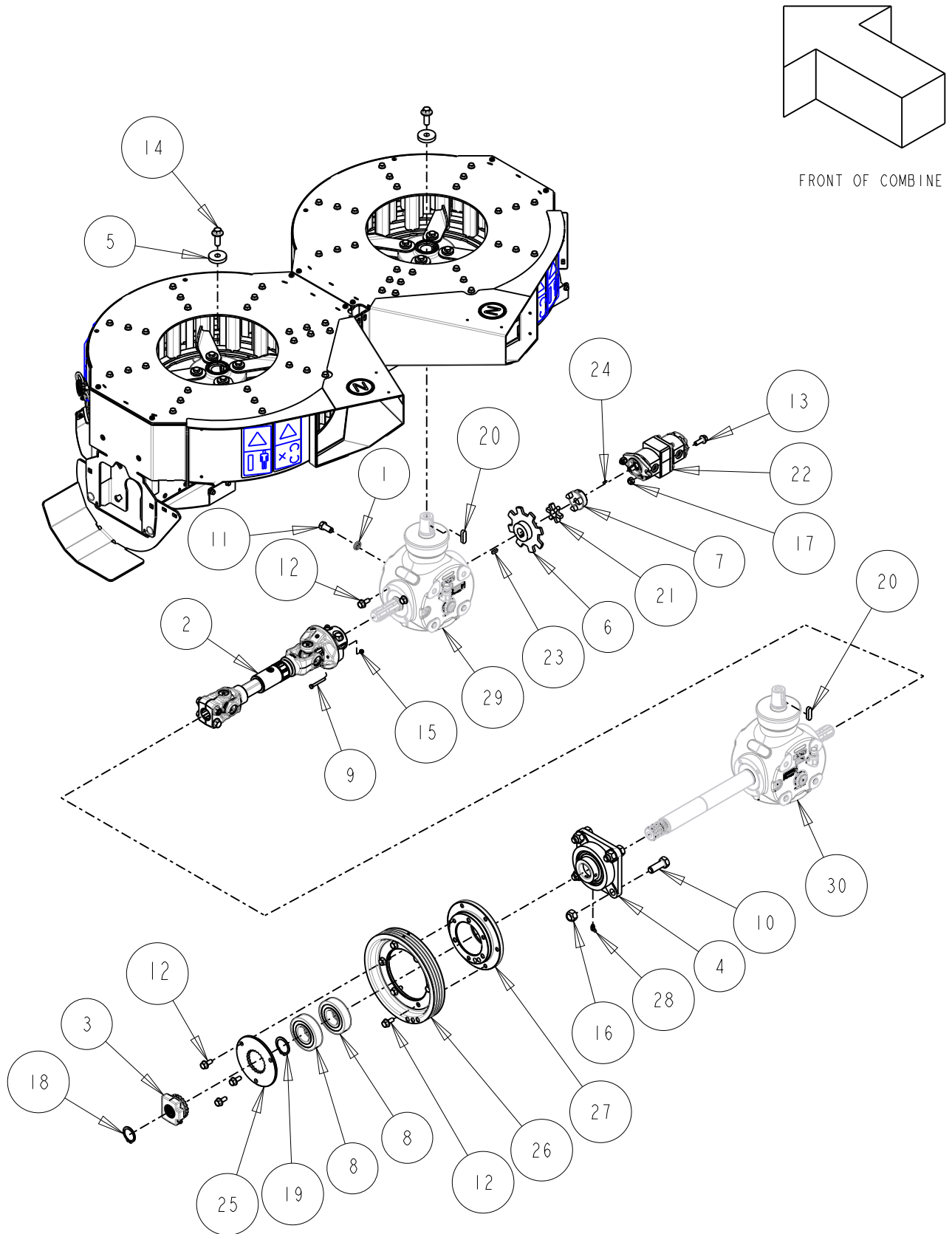
Indicate implement serial number with any parts order _____

Seed Control Unit for John Deere S-Series Combine

Page:5-5
Date:17FEB2023

Serial No Range From:
SCDA0600

Serial No Range To:
PRESENT



SC006-04

Indicate implement serial number with any parts order _____

Seed Control Unit for John Deere S-Series Combine

Page:5-6
Date:17FEB2023Serial No Range From:
SCDA0600Serial No Range To:
PRESENT

ITEM NO.	PART NO.	DESCRIPTION	QTY	NOTE
1	RPI041	WASHER WEDGE LOCK M14 PAIR	8	
2	RPI193	DRIVELINE ASSY 1.375-6 SPLINE w/ SHEARBOLT	1	
3	RPI162A	COUPLER DRIVE ASSY 24T/ 21T EXT	1	
4	RPI222A	BEARING ASSY 45mm HD ECL4B CAST FLG	1	INCLUDES RPI446
5	SC113Z	WASHER ROTOR SCU	2	
6	SC153Z	PICKUP, SPEED SENSOR 8 LUG YZD	1	
7	SC226Z	COUPLING 3 JAW	1	
8	87624213	BEARING, 45mm ID	2	
9	BIIM-0650	BOLT HEX M6X50 C8.8 YZD Iso4014	1	
10	BIIM-1850	BOLT HEX M18X50 C8.8 YZD Iso4014	4	
11	BI2M-1430	BOLT HEX M14x30 C10.9 YZD Iso4014	8	
12	B2IM-1025	BOLT FLG M10X25 C8.8 YZD Iso8102	17	
13	B2IM-1030	BOLT FLG M10X30 C8.8 YZD Iso8102	2	
14	B2IM-1440	BOLT FLG M14X40 C8.8 YZD Iso8102	2	
15	N4IM-06	NUT LOCK STL M6 C8 YZD DIN980V	1	
16	N4IM-18	NUT LOCK STL M18 C10 YZD DIN980V	4	
17	N42M-10	NUT LOCK STL M10 C10 YZD DIN980V	2	
18	Q23M-40	SNAP RING, EXT M40 YZD	1	
19	Q23M-45	SNAP RING, EXT M45 YZD	1	
20	RPI007	KEY, OVAL 12mm x 8mm x 40mm L Steel Oiled	2	
21	RPI051	COUPLING, SPIDER JAW	1	
22	RPI072	PUMP, HYD, CCW	1	
23	RPI079	KEY, OVAL 0.25in x 0.25in x 0.75in L Steel Oiled	1	
24	RPI082	KEY, OVAL 0.125in x 0.125in x 0.5in L Steel Oiled	1	
25	RPI117	COUPLING SHEAVE 21T	1	
26	RPI159	SHEAVE RING SCU 4M 10.83 OD	1	
27	RPI160	HUB 4PVM SCU DRIVEN OFFSET	1	
28	RPI446	ZERK GREASE 45-DEG M6-1	1	
29	RPI112G	GEARBOX 1:1.35 CCW 6 SPLINE, TAPERED PUMP, BP - GREEN	1	
30	RPI143G	GEARBOX 1:1.35 CW 6 Spline, Tapered, Long Shaft, GREEN	1	
	RPI074	GEAR OIL, 75W90 EXTREME PRESSURE SYNTHETIC GL5		

SC006-04

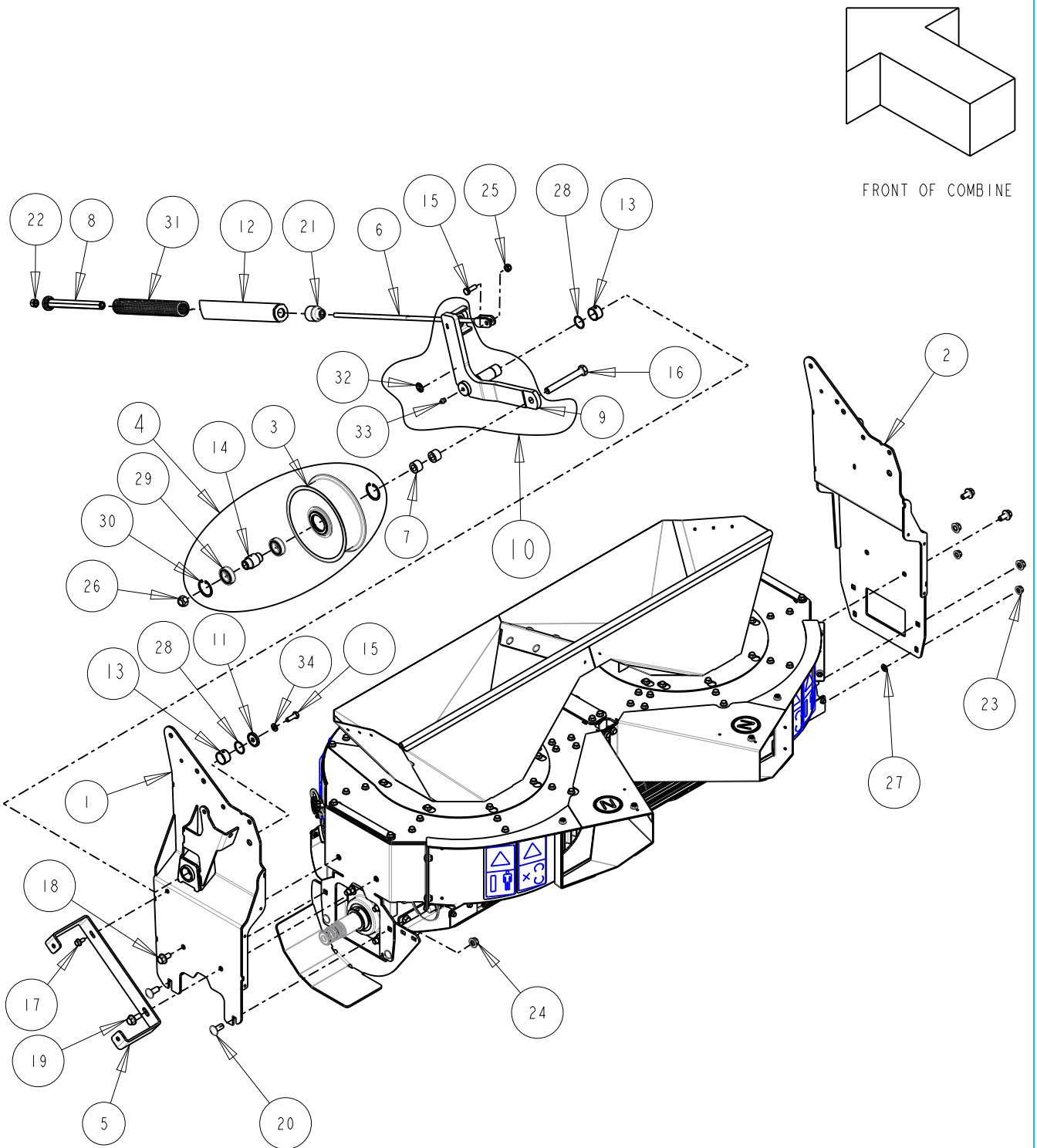
Indicate implement serial number with any parts order _____

Seed Control Unit for John Deere S-Series Combine

Page:6-1
Date:18FEB2022

Serial No Range From:
SCDA0300

Serial No Range To:
SCDA0399



SC006-04

Indicate implement serial number with any parts order _____

Seed Control Unit for John Deere S-Series Combine

Page:6-2
Date:18FEB2022Serial No Range From:
SCDA0300Serial No Range To:
SCDA0399

ITEM NO.	PART NO.	DESCRIPTION	QTY	NOTE
1	CD765GL	HANGER SCU JDS MT LT - GREEN	1	FOR JD OEM CHOPPER
2	CD765GR	HANGER SCU JDS MT RT - GREEN	1	FOR JD OEM CHOPPER
3	RP923B	PULLEY, IDLER RIBBED 65FW 47ID - BLACK	1	NSS - RP923BA
4	RP923BA	IDLER ASSY 200mm - BLACK	1	INCLUDES RP923B, 84287963, RP926, RP934
5	SCI95G	BRACKET SHIELD MT LWR SCU - GREEN	1	
6	SC286Z	TENSION ROD SCU YZD	1	S/S SC642Z
7	SC293Z	SPACER SCU IDLER 19MM LG YZD	2	
8	SC313Z	NUT SCU TNSN ADJ YZD	1	
9	SC337G	ASSY, IDLER - GREEN	1	NSS - SC337GA
10	SC337GA	IDLER ARM ASSY, SCU w/ DECAL - GREEN	1	INCLUDES SC337G, RPIII8, RPIO92
11	SC338Z	WASHER SCU IDLER YZD	1	
12	SC414G	TENSION INDICATOR NARROW - GREEN	1	
13	420434	BUSHING DX 30ID x 20L	2	
14	84287963	SPINDLE IDLER	1	
15	BIIM-1030	BOLT HEX M10X30 C8.8 YZD Iso4014	2	
16	BIIM-16130	BOLT HEX M16X130 C8.8 YZD Iso4014	1	
17	B2IM-0820	BOLT FLG M8X20 C8.8 YZD Iso8102	9	
18	B2IM-1225	BOLT FLG M12X25 C8.8 YZD Iso8102	3	
19	B2IM-1230	BOLT FLG M12X30 C8.8 YZD Iso8102	1	
20	B3IM-1230	BOLT RH M12X30 C8.8 YZD ISO8678 Short Neck	4	
21	HI70141	PIVOT SPRING	1	
22	NIIM-12	NUT HEX M12 C8 YZD ISO4032	1	
23	N2IM-10	NUT FLG M10 C8 YZD Iso4161	4	
24	N2IM-12	NUT FLG M12 C8 YZD Iso4161	4	
25	N42M-10	NUT LOCK STL M10 C10 YZD DIN980V	1	
26	N42M-16	NUT LOCK STL M16 C10 YZD DIN980V	1	
27	N63M-10	NUT PUSH M10 BLACK PH	4	
28	OIIM-30-025	ORING RD 30mm ID x 2.5mm	2	
29	RP926	BEARING, 25mm ID	2	
30	RP934	CIRCLIP, INTERNAL 48.5mm OD	2	
31	RPIO63	SPRING-C 1.54" OD 17" FL	1	
32	RPIO92	DECAL GREASE 50 HR	1	
33	RPIII8	ZERK GREASE STR M10-1.5	1	
34	WIIM-10	WASHER FLAT M10 x 20 x 2.3 YZD	1	
1	SC376GL	MOUNT SCU JDS RM LT - GREEN	1	FOR MAV CHOPPER
2	SC376GR	MOUNT SCU JDS RM RT - GREEN	1	FOR MAV CHOPPER

NSS = NOT SERVICED SEPARATELY S/S = SUPERSEDED BY

SC006-04

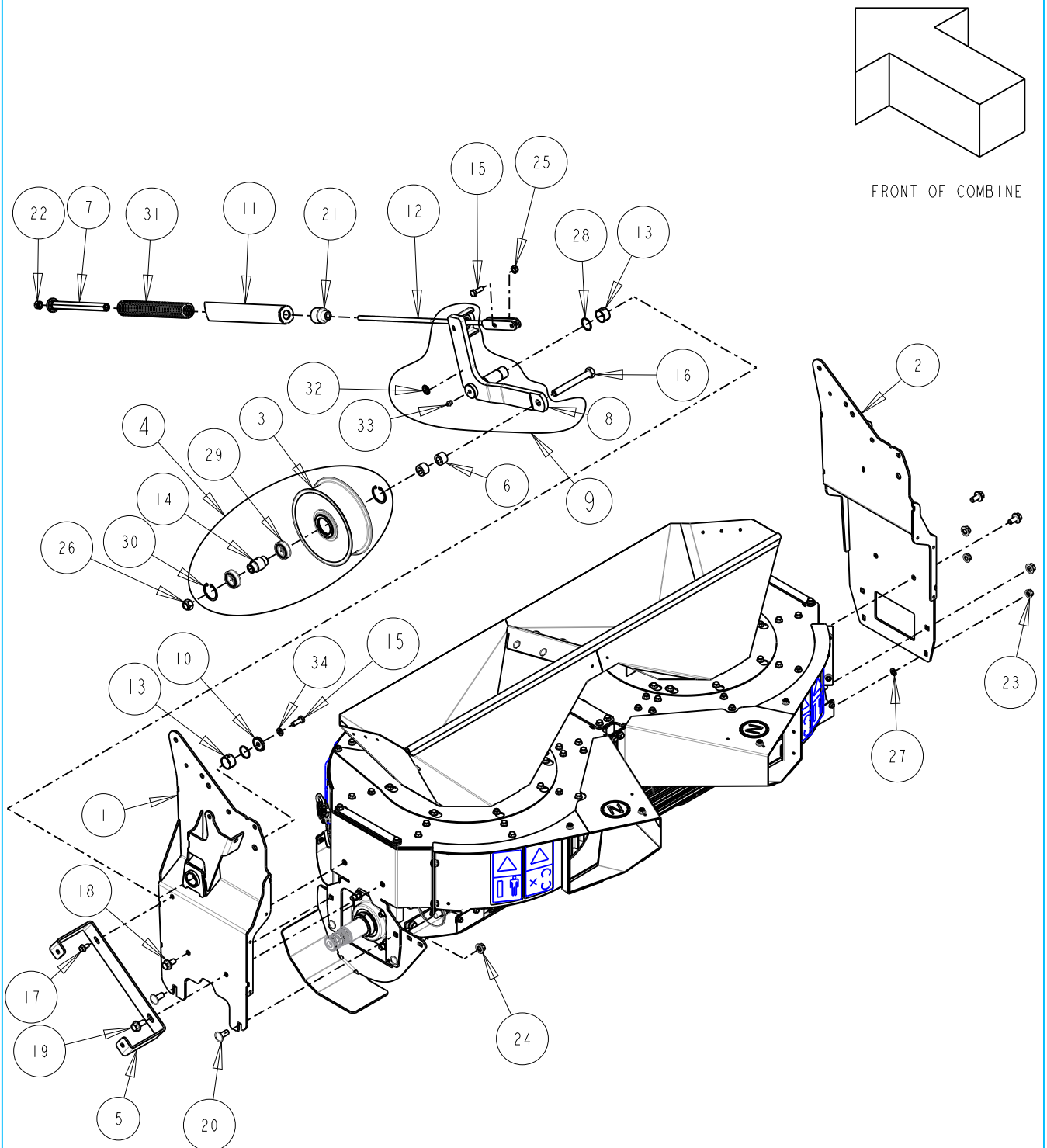
Indicate implement serial number with any parts order _____

Seed Control Unit for John Deere S-Series Combine

Page:6-3
Date:18FEB2022

Serial No Range From:
SCDA0400

Serial No Range To:
PRESENT



SC006-04

Indicate implement serial number with any parts order _____

Seed Control Unit for John Deere S-Series Combine

Page:6-4
Date:18FEB2022Serial No Range From:
SCDA0400Serial No Range To:
PRESENT

ITEM NO.	PART NO.	DESCRIPTION	QTY	NOTE
1	CD765GL	HANGER SCU JDS MT LT - GREEN	1	FOR JD OEM CHOPPER
2	CD765GR	HANGER SCU JDS MT RT - GREEN	1	FOR JD OEM CHOPPER
3	RP923B	PULLEY, IDLER RIBBED 65FW 47ID - BLACK	1	NSS - RP923BA
4	RP923BA	IDLER ASSY 200mm - BLACK	1	INCLUDES RP923B, 84287963, RP926, RP934
5	SCI95G	BRACKET SHIELD MT LWR SCU - GREEN	1	
6	SC293Z	SPACER SCU IDLER 19MM LG YZD	2	
7	SC313Z	NUT SCU TNSN ADJ YZD	1	
8	SC337G	ASSY, IDLER - GREEN	1	NSS - SC337GA
9	SC337GA	IDLER ARM ASSY, SCU w/ DECAL - GREEN	1	INCLUDES SC337G, RPIII8, RPIO92
10	SC338Z	WASHER SCU IDLER YZD	1	
11	SC414G	TENSION INDICATOR NARROW - GREEN	1	
12	SC642Z	TENSION ROD SCU YZD	1	
13	420434	BUSHING DX 30ID x 20L	2	
14	84287963	SPINDLE IDLER	1	
15	BIIM-1030	BOLT HEX M10X30 C8.8 YZD Iso4014	2	
16	BIIM-16130	BOLT HEX M16X130 C8.8 YZD Iso4014	1	
17	B2IM-0820	BOLT FLG M8X20 C8.8 YZD Iso8102	9	
18	B2IM-1225	BOLT FLG M12X25 C8.8 YZD Iso8102	3	
19	B2IM-1230	BOLT FLG M12X30 C8.8 YZD Iso8102	1	
20	B3IM-1230	BOLT RH M12X30 C8.8 YZD ISO8678 Short Neck	4	
21	HI7014I	PIVOT SPRING	1	
22	NIIM-12	NUT HEX M12 C8 YZD ISO4032	1	
23	N2IM-10	NUT FLG M10 C8 YZD Iso4161	4	
24	N2IM-12	NUT FLG M12 C8 YZD Iso4161	4	
25	N42M-10	NUT LOCK STL M10 C10 YZD DIN980V	1	
26	N42M-16	NUT LOCK STL M16 C10 YZD DIN980V	1	
27	N63M-10	NUT PUSH M10 BLACK PH	4	
28	OIIM-30-025	ORING RD 30mm ID x 2.5mm	2	
29	RP926	BEARING, 25mm ID	2	
30	RP934	CIRCLIP, INTERNAL 48.5mm OD	2	
31	RPIO63	SPRING-C 1.54" OD 17" FL	1	
32	RPIO92	DECAL GREASE 50 HR	1	
33	RPIII8	ZERK GREASE STR M10-1.5	1	
34	WIIM-10	WASHER FLAT M10 x 20 x 2.3 YZD	1	
1	SC376GL	MOUNT SCU JDS RM LT - GREEN	1	FOR MAV CHOPPER
2	SC376GR	MOUNT SCU JDS RM RT - GREEN	1	FOR MAV CHOPPER

NSS = NOT SERVICED SEPARATELY

SC006-04

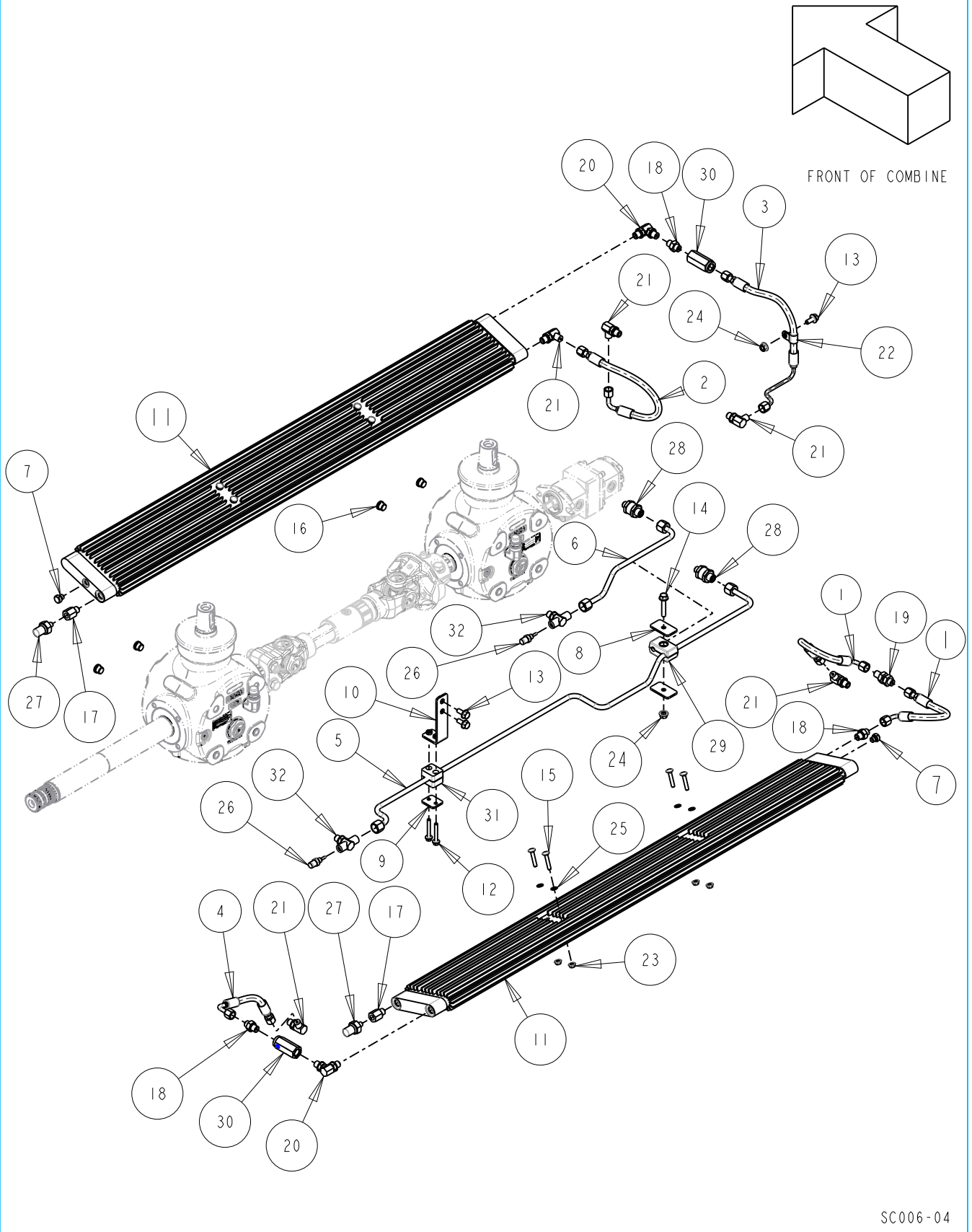
Indicate implement serial number with any parts order _____

Seed Control Unit for John Deere S-Series Combine

Page: 7-1
Date: 18FEB2022

Serial No Range From:
SCDA0300

Serial No Range To:
SCDA0399



SC006-04

Indicate implement serial number with any parts order _____

Seed Control Unit for John Deere S-Series Combine

Page:7-2
Date:18FEB2022

Serial No Range From:
SCDA0300

Serial No Range To:
SCDA0399

ITEM NO.	PART NO.	DESCRIPTION	QTY	NOTE
1	HHI28	HOSE HYD -4 FORFS, 283mm	2	
2	HHI30	HOSE HYD 1/4 x 379mm	1	
3	HHI31	HYD RT GBX FEED SCU MY20	1	
4	HHI33	HOSE HYD -4 FORFS, 115mm	1	
5	HTI08	HYD TUBE 0.375OD 41.5L LH DR SCU	1	
6	HTI10	HYD TUBE 0.375OD 10.2L LH DR SCU	1	
7	RPI235A	Plug, M10x1.5 ORB Cooler SCU w/ O-Ring	2	
8	SCIII Z	PLATE HYD BLOCK YZD	2	
9	SCII5Z	PLATE HYD BLOCK 2H YZD	1	
10	SCI23Z	BRACKET MID HYD LINE YZD	1	
11	SC30IW	COOLER SCU	2	
12	B2IM-0645	BOLT FLG M6X45 C8.8 YZD Iso8102	2	
13	B2IM-0820	BOLT FLG M8X20 C8.8 YZD Iso8102	3	
14	B2IM-0845	BOLT FLG M8X45 C8.8 YZD Iso8102	1	
15	B3IM-0635	BOLT RH M6X35 C8.8 YZD ISO8678 Short Neck	8	
16	H20-06	FIT HYD PLUG SOCKET 6 MORB	4	
17	H25-0602FP	HYD FIT STR 6MB 2FP	2	
18	H25-0604MFS	HYD FIT STR 6MB 4MORFS	3	
19	H28-0404BH	HYD FIT STR 4MORFS 4MORFS BLKHD	1	
20	H35-0606	FIT HYD 90DEG 6MB 6MB	2	
21	H35-0604MFS	FIT HYD 90DEG 6MB 4MORFS	5	
22	H99-08	TUBE STRAP 0.5 OD, .375 HOLE ZN RUBBER	1	
23	N2IM-06	NUT FLG M6 C8 YZD Iso4161	8	
24	N2IM-08	NUT FLG M8 C8 YZD Iso4161	2	
25	N63M-06	NUT PUSH M6 YZD	8	
26	RPI069	SENSOR, OIL TEMP	2	
27	RPI070	SENSOR, PRESSURE SWITCH	2	
28	RPI075	FILTER SUCTION 6 MORB 6 MORFS	2	
29	RPI076	TUBE CLAMP HYD 0.375 ID x2	1	
30	RPI080	VALVE CHECK 6 FORB	2	
31	RPI083	TUBE CLAMP HYD 0.375 ID SINGLE	1	
32	SC365-01	FIT HYD TEE TEMP SENSOR	2	

SC006-04

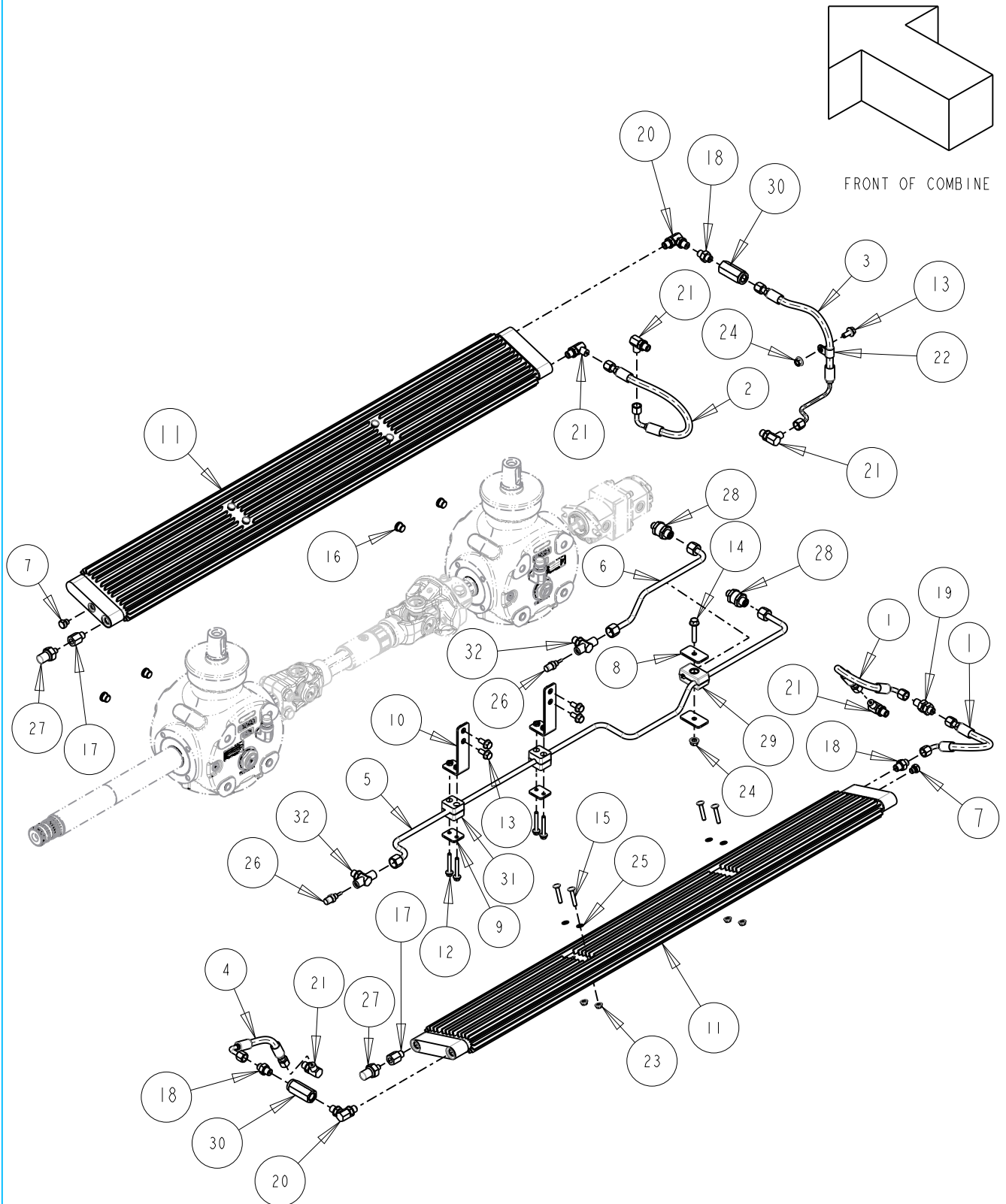
Indicate implement serial number with any parts order _____

Seed Control Unit for John Deere S-Series Combine

Page: 7-3
Date: 18FEB2022

Serial No Range From:
SCDA0400

Serial No Range To:
PRESENT



SC006-04

Indicate implement serial number with any parts order _____

Seed Control Unit for John Deere S-Series Combine

Page:7-4
Date:18FEB2022Serial No Range From:
SCDA0400Serial No Range To:
PRESENT

ITEM NO.	PART NO.	DESCRIPTION	QTY	NOTE
1	HHI28	HOSE HYD -4 FORFS, 283mm	2	
2	HHI30	HOSE HYD 1/4 x 379mm	1	
3	HHI31	HYD RT GBX FEED SCU MY20	1	
4	HHI33	HOSE HYD -4 FORFS, 115mm	1	
5	HTI08	HYD TUBE 0.375OD 41.5L LH DR SCU	1	
6	HTI10	HYD TUBE 0.375OD 10.2L LH DR SCU	1	
7	RPI235A	Plug, M10x1.5 ORB Cooler SCU w/ O-Ring	2	
8	SCIIIZ	PLATE HYD BLOCK YZD	2	
9	SCII5Z	PLATE HYD BLOCK 2H YZD	2	
10	SCI23Z	BRACKET MID HYD LINE YZD	2	
11	SC30IW	COOLER SCU	2	
12	B2IM-0645	BOLT FLG M6X45 C8.8 YZD Iso8102	4	
13	B2IM-0820	BOLT FLG M8X20 C8.8 YZD Iso8102	5	
14	B2IM-0845	BOLT FLG M8X45 C8.8 YZD Iso8102	1	
15	B3IM-0635	BOLT RH M6X35 C8.8 YZD ISO8678 Short Neck	8	
16	H20-06	FIT HYD PLUG SOCKET 6 MORB	4	
17	H25-0602FP	HYD FIT STR 6MB 2FP	2	
18	H25-0604MFS	HYD FIT STR 6MB 4MORFS	3	
19	H28-0404BH	HYD FIT STR 4MORFS 4MORFS BLKHD	1	
20	H35-0606	FIT HYD 90DEG 6MB 6MB	2	
21	H35-0604MFS	FIT HYD 90DEG 6MB 4MORFS	5	
22	H99-08	TUBE STRAP 0.5 OD, .375 HOLE ZN RUBBER	1	
23	N2IM-06	NUT FLG M6 C8 YZD Iso4161	8	
24	N2IM-08	NUT FLG M8 C8 YZD Iso4161	2	
25	N63M-06	NUT PUSH M6 YZD	8	
26	RPI069	SENSOR, OIL TEMP	2	
27	RPI070	SENSOR, PRESSURE SWITCH	2	
28	RPI075	FILTER SUCTION 6 MORB 6 MORFS	2	
29	RPI076	TUBE CLAMP HYD 0.375 ID x2	1	
30	RPI080	VALVE CHECK 6 FORB	2	
31	RPI083	TUBE CLAMP HYD 0.375 ID SINGLE	2	
32	SC365-01	FIT HYD TEE TEMP SENSOR	2	

SC006-04

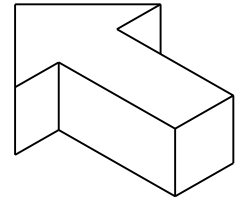
Indicate implement serial number with any parts order _____

Seed Control Unit for John Deere S-Series Combine

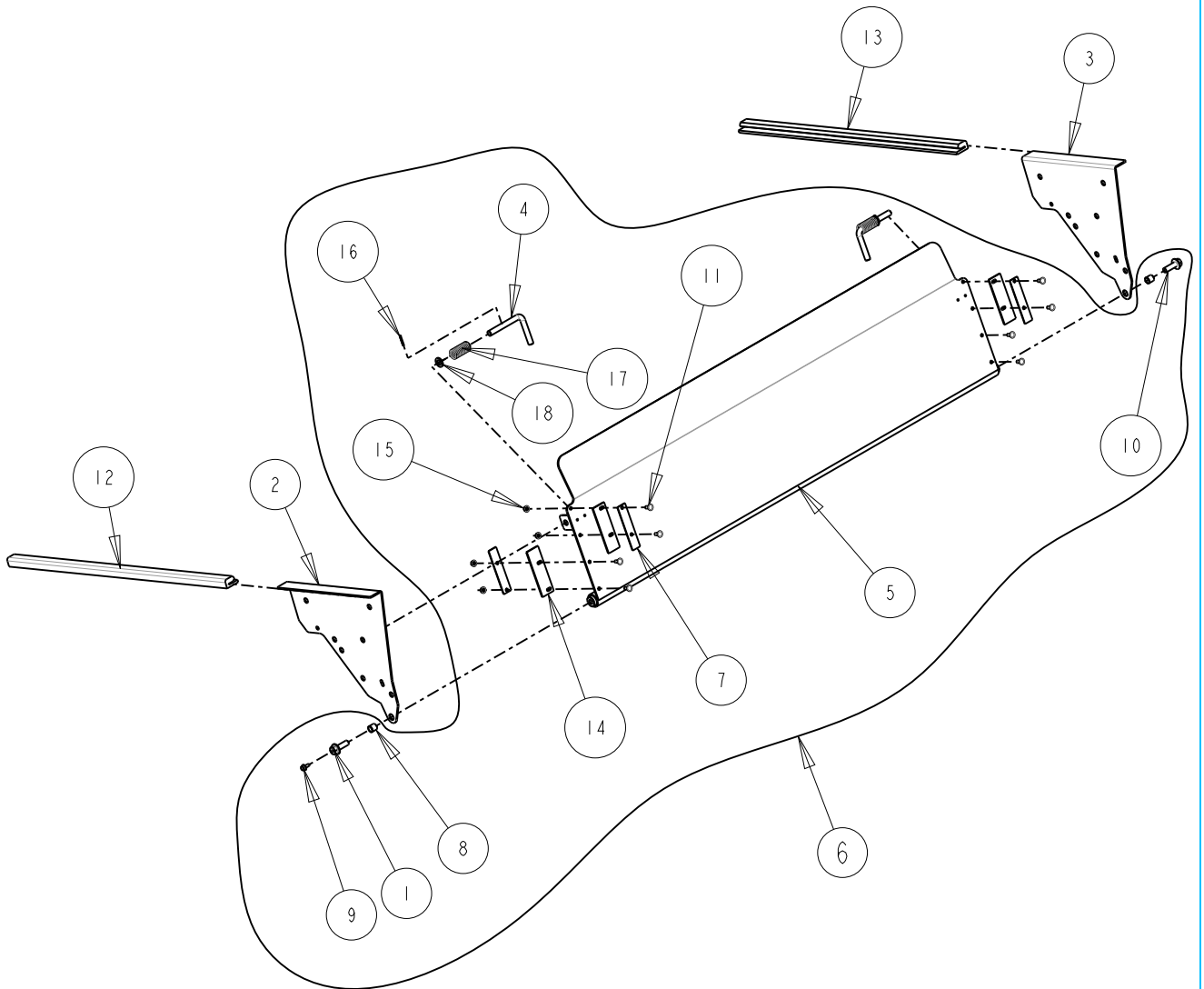
Page:8-1
Date:21APR2023

Serial No Range From:
SCDAO300

Serial No Range To:
PRESENT



FRONT OF COMBINE



SC006-04

L Indicate implement serial number with any parts order _____

Seed Control Unit for John Deere S-Series Combine

Page:8-2
Date:21APR2023Serial No Range From:
SCDAO300Serial No Range To:
PRESENT

ITEM NO.	PART NO.	DESCRIPTION	QTY	NOTE
1	CD749	BOLT, DOOR PIVOT CHAFF DOOR	1	
2	CD727GL	BRACKET, MOUNT SCU LT OE - GREEN	1	
3	CD727GR	BRACKET, MOUNT SCU RT OE - GREEN	1	
4	CD753Z	PIN, CHAFF DOOR - YZD	2	
5	CD754G	DOOR, CHAFF - GREEN	1	
6	CD754GA	DOOR ASSEMBLY, CHAFF OEM - GREEN	1	
7	CD814G	BACKPLATE CHP DOOR - GREEN	4	
8	SC320Z	BUSHING JD CHAFF DOOR - YZD	2	
9	B2IM-0616	BOLT FLG M6X16 C8.8 YZD Iso8102	1	
10	B2IM-1240	BOLT FLG M12X40 C8.8 YZD Iso8102	1	
11	B3IM-0616	BOLT RH M6X16 C8.8 YZD ISO8678 Short Neck	8	
12	CD729-OIL	PLATE, SLIDER LT	1	
13	CD729-OIR	PLATE, SLIDER RT	1	
14	CD813-01	BELT, DOOR SEAL	4	
15	N2IM-06	NUT FLG M6 C8 YZD Iso4161	8	
16	PII-0216	PIN ROLL .125 x 1 YZD	2	
17	RP971	SPRING, COMPRESSION	2	
18	WIIM-12	WASHER FLAT M12 x 23.5 x 2.4 YZD	2	

SC006-04

Indicate implement serial number with any parts order _____

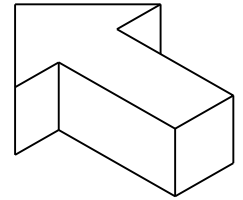
Seed Control Unit for John Deere S-Series Combine

Page:8-3
Date: 21JULY2021

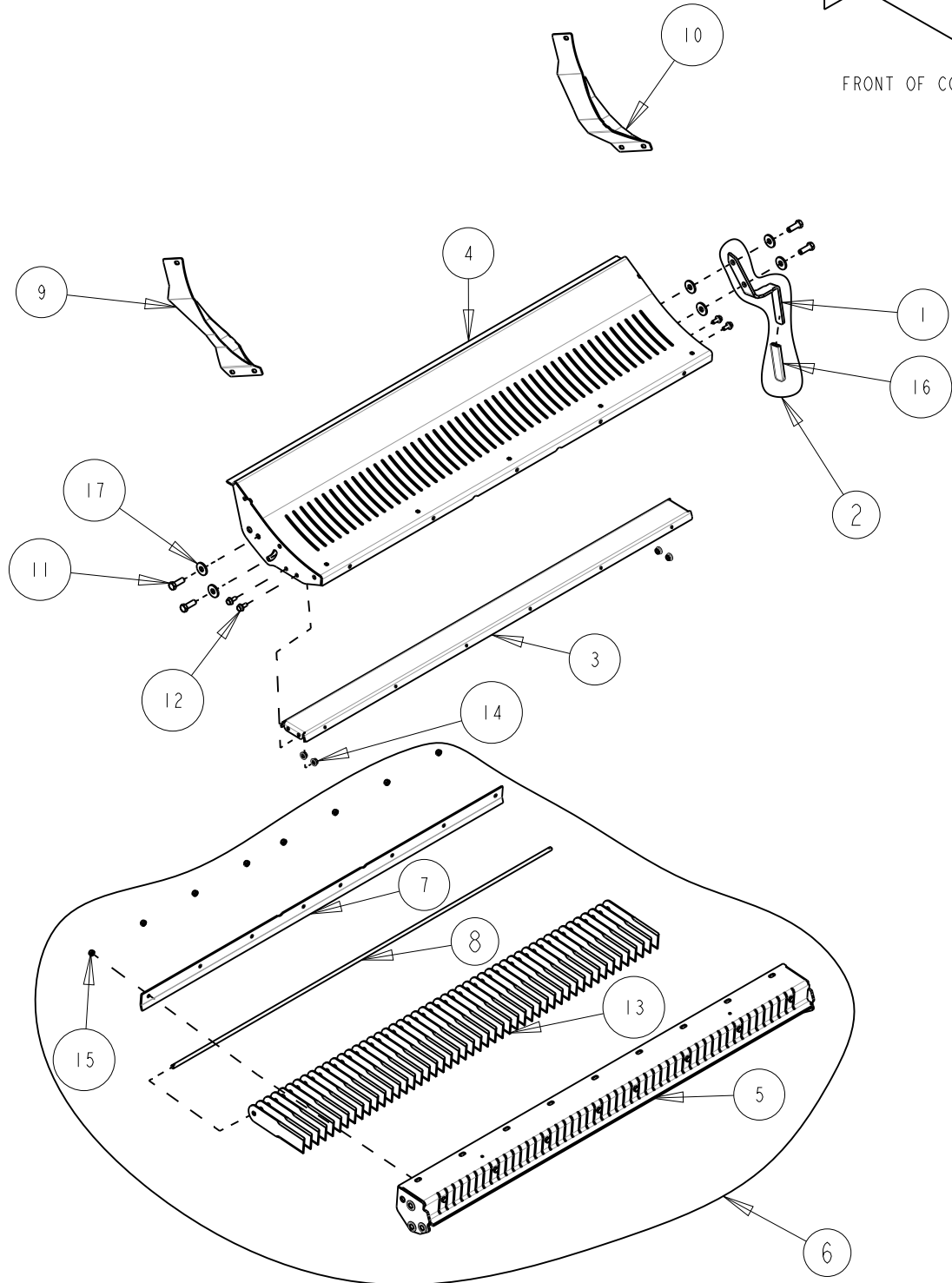
Serial No Range From:
SCDA0300

Serial No Range To:
PRESENT

FOR DEERE EXTRA FINE CUT (XFC)
WITH VANE POWER CAST TAILBOARDS



FRONT OF COMBINE



SC006-04

Indicate implement serial number with any parts order _____

Seed Control Unit for John Deere S-Series Combine

Page:8-4
Date: 21JULY2021

Serial No Range From:
SCDA0300

Serial No Range To:
PRESENT

ITEM NO.	PART NO.	DESCRIPTION	QTY	NOTE
1	CD666G	HANDLE, KNIFE BAR - GREEN	1	NSS - CD666GA
2	CD666GA	HANDLE ASSEMBLY, K BAR JD-S - GREEN	1	C/W CD666G, RP309
3	CD725G	GUARD, KNIFE BAR - GREEN	1	
4	CD743G	FLOOR, CHPR OEM - XFC, VANE, PC, TB - GREEN	1	
5	CD744G	FRAME K BAR JDS OEM 26.5mm SPC - GREEN	1	
6	CD744GA	K BAR ASSY JDS OEM 26.5mm SPC - GREEN	1	
7	CD746G	BAR, PRESS PLATE - GREEN	1	
8	CG153G	ROD, KNIFE BAR 55L - GREEN	1	
9	SCI89GL	WLDT BAFFLE LT XFC JDS - GREEN	1	
10	SCI89GR	WLDT BAFFLE RT XFC JDS - GREEN	1	
11	BI1M-1235	BOLT HEX M12X35 C8.8 YZD Iso4014	4	
12	B21M-0820	BOLT FLG M8X20 C8.8 YZD Iso8102	4	
13	HA700	BLADE STR KNIFE BAR	49	NSS - BK700
14	N21M-08	NUT FLG M8 C8 YZD Iso4161	4	
15	N42M-08	NUT LOCK STL M8 C10 YZD DIN980V	8	
16	RP309	GRIP	1	NSS - HANDLE ASSEMBLY
17	W12M-12	WASHER FLAT M12 x 34 x 3.5 YZD	6	
	BK700	BLADE KIT HA700		5 KITS FOR XFC (EXTRA FINE CUT)

NSS = NOT SERVICED SEPARATELY

SC006-04

Indicate implement serial number with any parts order _____

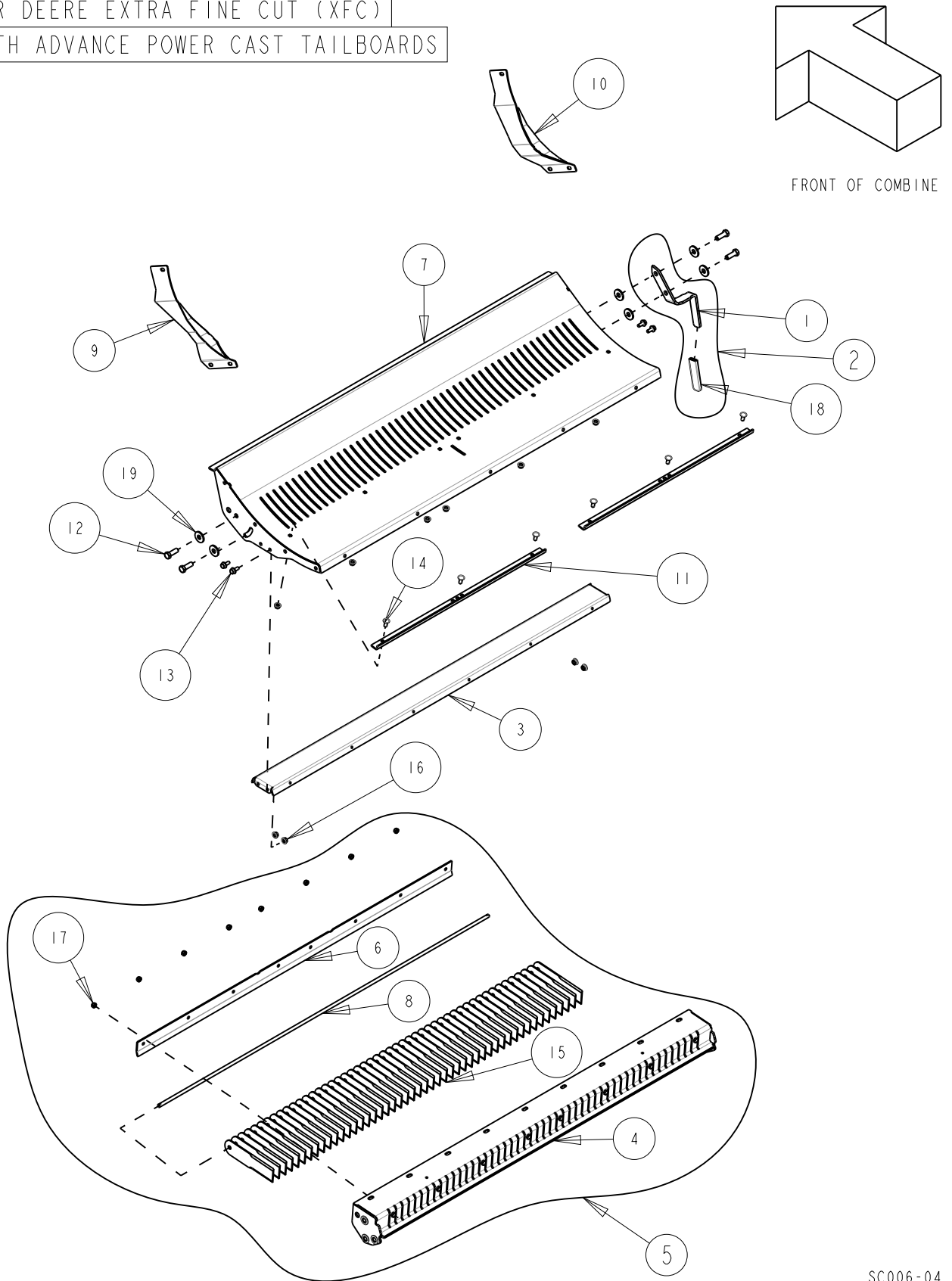
Seed Control Unit for John Deere S-Series Combine

Page:8-5
Date: 21JULY2021

Serial No Range From:
SCDAO300

Serial No Range To:
PRESENT

FOR DEERE EXTRA FINE CUT (XFC)
WITH ADVANCE POWER CAST TAILBOARDS



SC006-04

Indicate implement serial number with any parts order _____

Seed Control Unit for John Deere S-Series Combine

Page:8-6
Date:21JULY2021

Serial No Range From:
SCDAO300

Serial No Range To:
PRESENT

ITEM NO.	PART NO.	DESCRIPTION	QTY	NOTE
1	CD666G	HANDLE, KNIFE BAR - GREEN	1	NSS - CD666GA
2	CD666GA	HANDLE ASSEMBLY, K BAR JD-S - GREEN	1	C/W CD666G, RP309
3	CD725G	GUARD, KNIFE BAR - GREEN	1	
4	CD744G	FRAME K BAR JDS OEM 26.5mm SPC - GREEN	1	
5	CD744GA	K BAR ASSY JDS OEM 26.5mm SPC - GREEN	1	
6	CD746G	BAR, PRESS PLATE - GREEN	1	
7	CD764G	FLOOR CHOPPER JDS APC OEM 26.5mm - GREEN	1	
8	CG153G	ROD, KNIFE BAR 55L - GREEN	1	
9	SCI89GL	WLDT BAFFLE LT XFC JDS - GREEN	1	
10	SCI89GR	WLDT BAFFLE RT XFC JDS - GREEN	1	
11	SC323G	BAR JDS CHOPPER DISRUPT - GREEN	2	
12	B11M-1235	BOLT HEX M12X35 C8.8 YZD Iso4014	4	
13	B21M-0820	BOLT FLG M8X20 C8.8 YZD Iso8102	4	
14	B31M-0820	BOLT RH M8x20 C8.8 YZD ISO8678 Short Neck	6	
15	HA700	BLADE STR KNIFE BAR	49	NSS - BK700
16	N21M-08	NUT FLG M8 C8 YZD Iso4161	10	
17	N42M-08	NUT LOCK STL M8 C10 YZD DIN980V	8	
18	RP309	GRIP	1	NSS - HANDLE ASSEMBLY
19	W12M-12	WASHER FLAT M12 x 34 x 3.5 YZD	6	
	BK700	BLADE KIT HA700		5 KITS FOR XFC (EXTRA FINE CUT)

NSS = NOT SERVICED SEPARATELY

SC006-04

Indicate implement serial number with any parts order _____

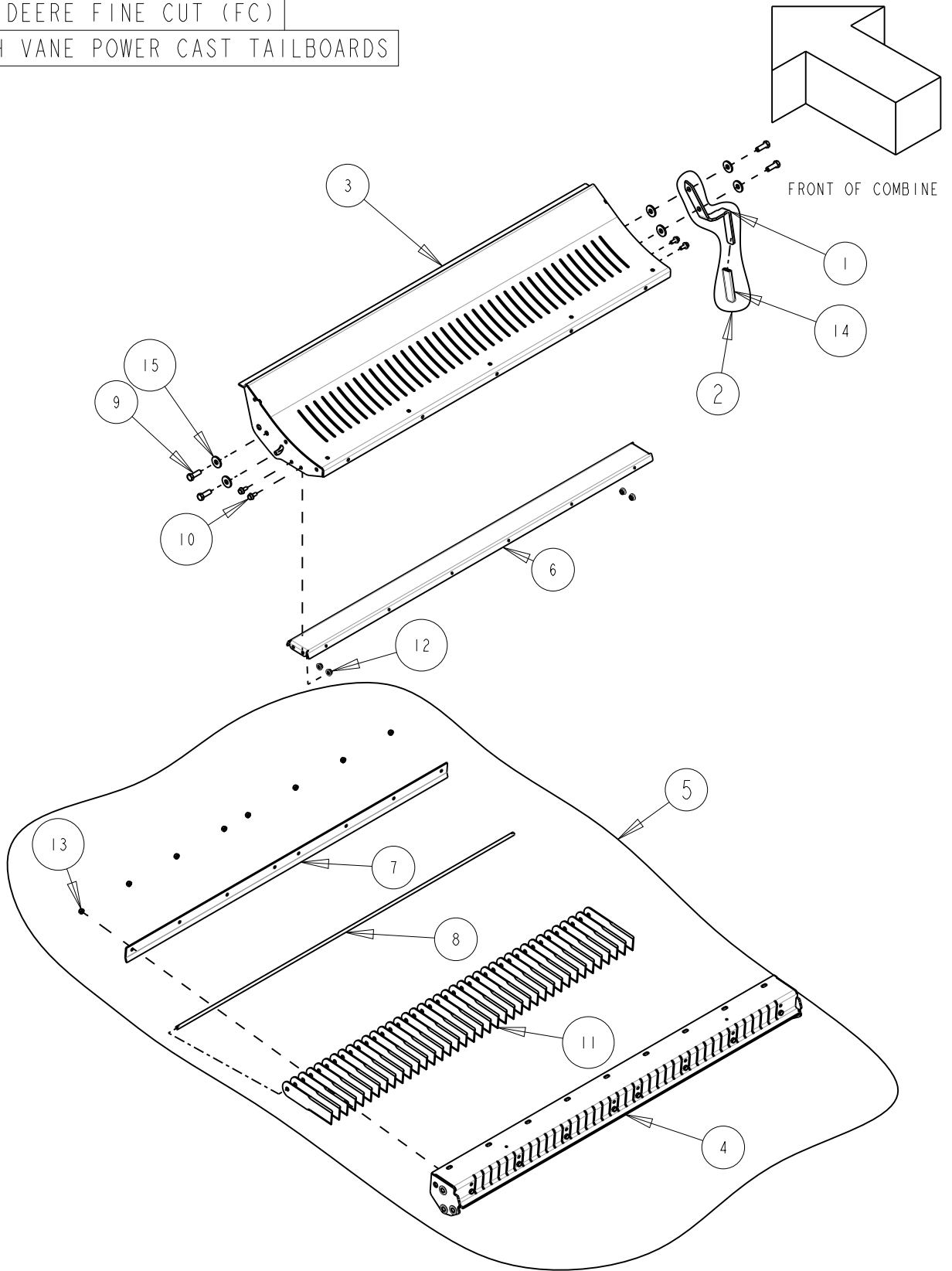
Seed Control Unit for John Deere S-Series Combine

Page:8-7
Date:14DEC2022

Serial No Range From:
SCDA0300

Serial No Range To:
PRESENT

FOR DEERE FINE CUT (FC)
WITH VANE POWER CAST TAILBOARDS



SC006-04

Indicate implement serial number with any parts order _____

Seed Control Unit for John Deere S-Series Combine

Page:8-8
Date:14DEC2022

Serial No Range From:
SCDA0300

Serial No Range To:
PRESENT

ITEM NO.	PART NO.	DESCRIPTION	QTY	NOTE
1	CD666G	HANDLE, KNIFE BAR - GREEN	1	NSS - CD666GA
2	CD666GA	HANDLE ASSEMBLY, K BAR JD-S - GREEN	1	C/W CD666G, RP309
3	CD723G	FLR, CHPR OEM - FC, VANE, PC TB - GREEN	1	
4	CD724G	FRAME K BAR JDS OEM 32mm SPC - GREEN	1	
5	CD724GA	K BAR ASSY JDS OEM 32mm SPC - GREEN	1	
6	CD725G	GUARD, KNIFE BAR - GREEN	1	
7	CD726G	BAR, PRESS PLATE - GREEN	1	
8	CG153G	ROD, KNIFE BAR 55L - GREEN	1	
9	BIIM-1235	BOLT HEX M12X35 C8.8 YZD Iso4014	4	
10	B2IM-0820	BOLT FLG M8X20 C8.8 YZD Iso8102	4	
11	HA700	BLADE STR KNIFE BAR	39	NSS - BK700
12	N2IM-08	NUT FLG M8 C8 YZD Iso4161	4	
13	N42M-08	NUT LOCK STL M8 C10 YZD DIN980V	8	
14	RP309	GRIP	1	NSS - HANDLE ASSEMBLY
15	W12M-12	WASHER FLAT M12 x 34 x 3.5 YZD	6	
	BK700	BLADE KIT HA700		4 KITS FOR FC (FINE CUT)

NSS = NOT SERVICED SEPARATELY

SC006-04

Indicate implement serial number with any parts order _____

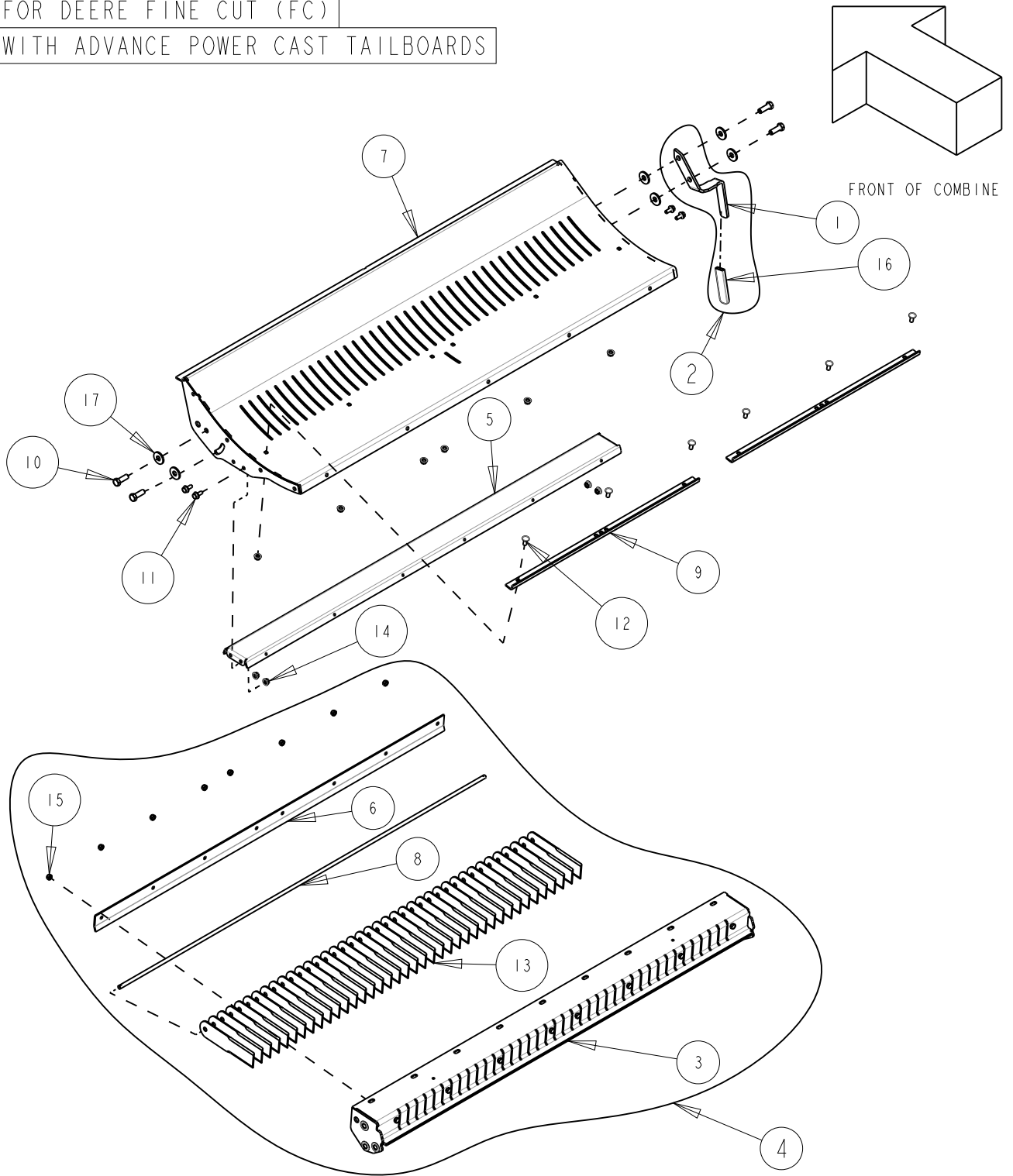
Seed Control Unit for John Deere S-Series Combine

Page:8-9
Date:14DEC2022

Serial No Range From:
SCDAO300

Serial No Range To:
PRESENT

FOR DEERE FINE CUT (FC)
WITH ADVANCE POWER CAST TAILBOARDS



SC006-04

L Indicate implement serial number with any parts order _____

Seed Control Unit for John Deere S-Series Combine

Page:8-10
Date:14DEC2022

Serial No Range From:
SCDA0300

Serial No Range To:
PRESENT

ITEM NO.	PART NO.	DESCRIPTION	QTY	NOTE
1	CD666G	HANDLE, KNIFE BAR - GREEN	1	NSS - CD666GA
2	CD666GA	HANDLE ASSEMBLY, K BAR JD-S - GREEN	1	C/W CD666G, RP309
3	CD724G	FRAME K BAR JDS OEM 32mm SPC - GREEN	1	
4	CD724GA	K BAR ASSY JDS OEM 32mm SPC - GREEN	1	
5	CD725G	GUARD, KNIFE BAR - GREEN	1	
6	CD726G	BAR, PRESS PLATE - GREEN	1	
7	CD763G	FLOOR CHOPPER JDS APC OEM 32mm - GREEN	1	
8	CG153G	ROD, KNIFE BAR 55L - GREEN	1	
9	SC323G	BAR JDS CHOPPER DISRUPT - GREEN	2	
10	BIIM-1235	BOLT HEX M12X35 C8.8 YZD Iso4014	4	
11	B2IM-0820	BOLT FLG M8X20 C8.8 YZD Iso8102	4	
12	B3IM-0820	BOLT RH M8x20 C8.8 YZD ISO8678 Short Neck	6	
13	HA700	BLADE STR KNIFE BAR	39	NSS - BK700
14	N2IM-08	NUT FLG M8 C8 YZD Iso4161	10	
15	N42M-08	NUT LOCK STL M8 C10 YZD DIN980V	8	
16	RP309	GRIP	1	NSS - HANDLE ASSEMBLY
17	W12M-12	WASHER FLAT M12 x 34 x 3.5 YZD	6	
	BK700	BLADE KIT HA700		4 KITS FOR FC (FINE CUT)

NSS = NOT SERVICED SEPARATELY

SC006-04

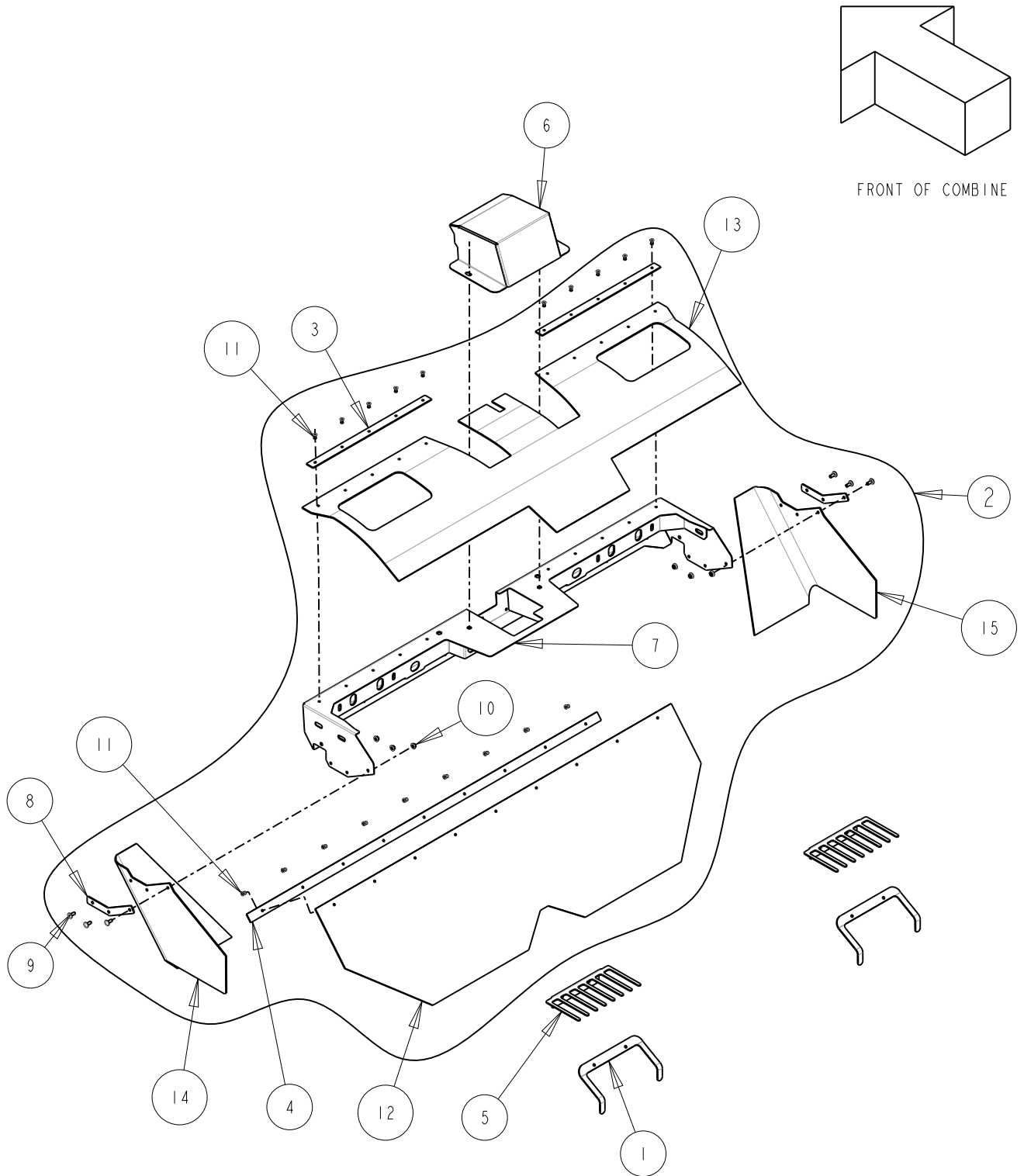
Indicate implement serial number with any parts order _____

Seed Control Unit for John Deere S-Series Combine

Page:9-1
Date:21APR2023

Serial No Range From:
SCDA0300

Serial No Range To:
SCDA0599



SC006-04

Indicate implement serial number with any parts order _____

Seed Control Unit for John Deere S-Series Combine

Page:9-2
Date:21APR2023

Serial No Range From:
SCDA0300

Serial No Range To:
SCDA0599

ITEM NO.	PART NO.	DESCRIPTION	QTY	NOTE
1	CD69IG	GUARD, GRAIN LOSS - GREEN	2	
2	SC186GA	SCU JDS SIEVE EXTENSION ASSEMBLY- GREEN	1	
3	SC256G	STRAP, UPPER SIEVE EXT - GREEN	2	
4	SC257G	STRAP, LOWER SIEVE EXT - GREEN	1	
5	SC283G	SEED LOSS DEFLECTOR - GREEN	2	
6	SC307G	COVER JDS SIEVE ADJ - GREEN	1	
7	SC340G	SIEVE EXT - GREEN	1	
8	SC343G	STRAP, UPR SIEVE EXT - GREEN	2	
9	B31M-0616	BOLT RH M6X16 C8.8 YZD ISO8678 Short Neck	6	
10	N21M-06	NUT FLG M6 C8 YZD Iso4161	6	
11	R03-08	RIVET SS 0.188 x .375L	19	
12	SC186-01	RBR, LWR MIDDLE SIEVE EXT JDS	1	
13	SC255-01	RBR, UPR SIEVE EXT	1	
14	SC269-01L	RBR, LWR SIEVE EXT CORNERS JDS	1	
15	SC269-01R	RBR, LWR SIEVE EXT CORNERS JDS	1	

SC006-04

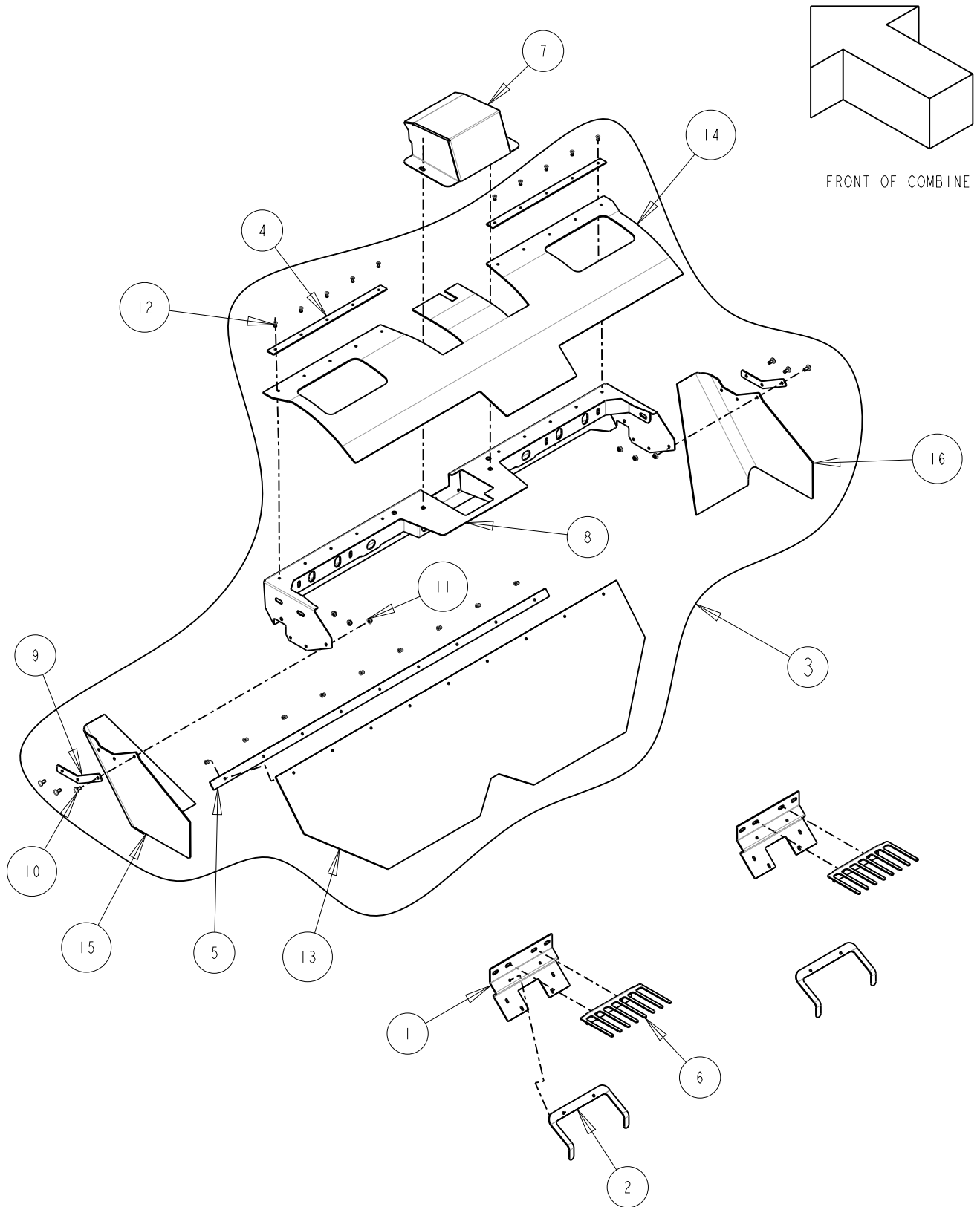
L Indicate implement serial number with any parts order _____

Seed Control Unit for John Deere S-Series Combine

Page:9-3
Date:21APR2023

Serial No Range From:
SCDA0600

Serial No Range To:
PRESENT



SC006-04

L Indicate implement serial number with any parts order _____

Seed Control Unit for John Deere S-Series Combine

Page:9-4
Date:21APR2023

Serial No Range From:
SCDA0600

Serial No Range To:
PRESENT

ITEM NO.	PART NO.	DESCRIPTION	QTY	NOTE
1	CD1077G	BRKT GRAIN LOSS SENSOR JD S - Green	2	
2	CD691G	GUARD, GRAIN LOSS - GREEN	2	
3	SC186GA	SCU JDS SIEVE EXTENSION ASSEMBLY- GREEN	1	
4	SC256G	STRAP, UPPER SIEVE EXT - GREEN	2	
5	SC257G	STRAP, LOWER SIEVE EXT - GREEN	1	
6	SC283G	SEED LOSS DEFLECTOR - GREEN	2	
7	SC307G	COVER JDS SIEVE ADJ - GREEN	1	
8	SC340G	SIEVE EXT - GREEN	1	
9	SC343G	STRAP, UPR SIEVE EXT - GREEN	2	
10	B31M-0616	BOLT RH M6X16 C8.8 YZD ISO8678 Short Neck	6	
11	N21M-06	NUT FLG M6 C8 YZD Iso4161	6	
12	R03-08	RIVET SS 0.188 x .375L	19	
13	SC186-01	RBR, LWR MIDDLE SIEVE EXT JDS	1	
14	SC255-01	RBR, UPR SIEVE EXT	1	
15	SC269-O1L	RBR, LWR SIEVE EXT CORNERS JDS	1	
16	SC269-O1R	RBR, LWR SIEVE EXT CORNERS JDS	1	

SC006-04

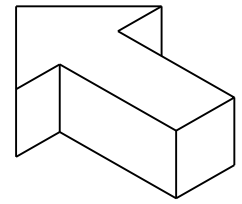
L Indicate implement serial number with any parts order _____

Seed Control Unit for John Deere S-Series Combine

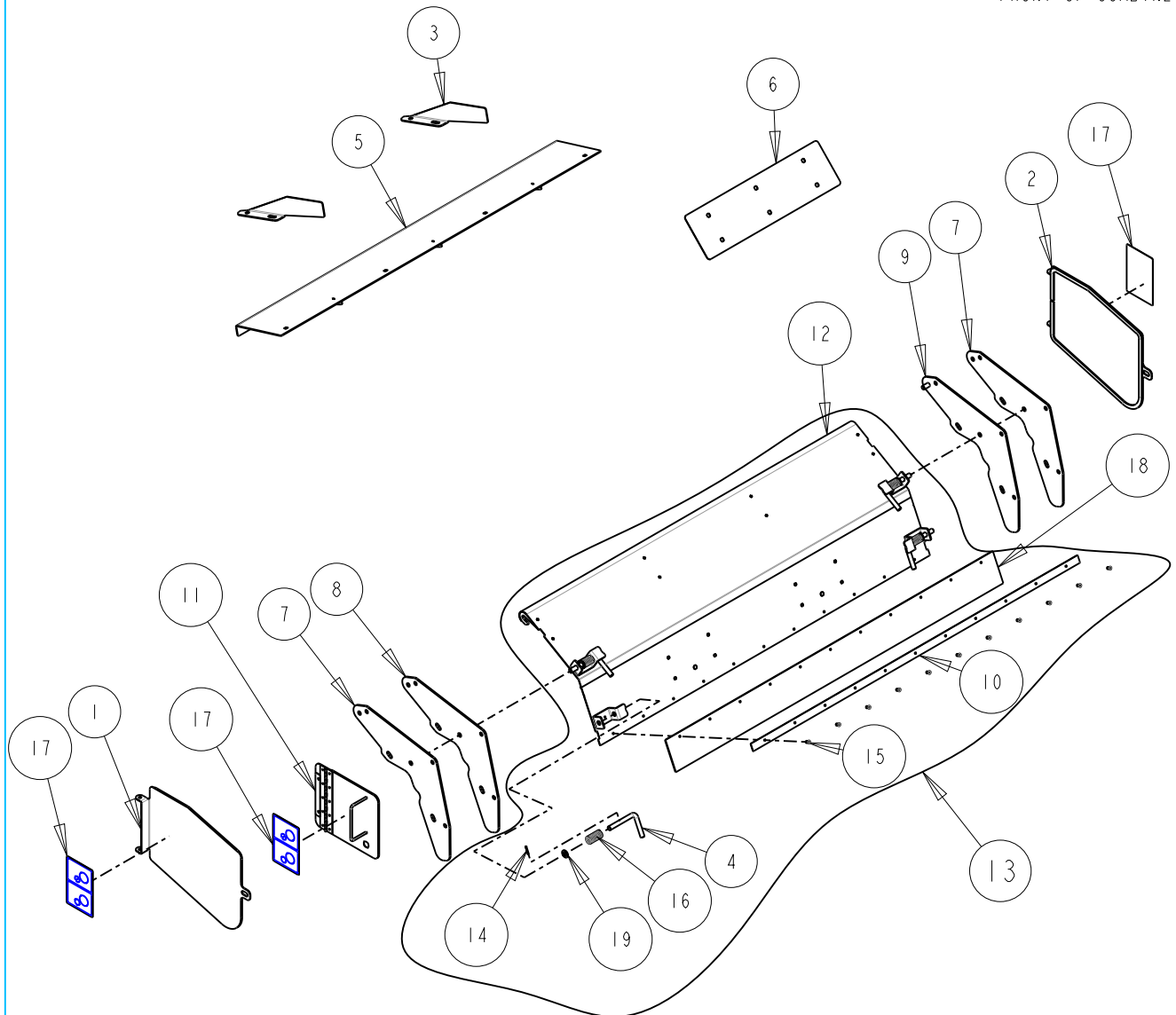
Page:IO-1
Date:18FEB2022

Serial No Range From:
SCDA0300

Serial No Range To:
SCDA0399



FRONT OF COMBINE



SC006-04

Indicate implement serial number with any parts order _____

Seed Control Unit for John Deere S-Series Combine

Page:IO-2
Date:18FEB2022Serial No Range From:
SCDA0300Serial No Range To:
SCDA0399

ITEM NO.	PART NO.	DESCRIPTION	QTY	NOTE
1	CD682GAL	ASSY VENT COVER LT JDS 600 C/W DCL - GREEN	1	
2	CD682GAR	ASSY VENT COVER RT JDS 600 C/W DCL - GREEN	1	
3	CD733G	FIN, BEATER - GREEN	2	
4	CD753Z	PIN, CHAFF DOOR - YZD	4	
5	SC200G	EXTENSION, BEATER - GREEN	1	
6	SC251G	COVER PLATE, FIN - GREEN	1	
7	SC258-OIG	MOUNT PLATE, INTERNAL BAFFLE - GREEN	2	
8	SC258GL	MOUNT PLATE W/ STUD, INTERNAL BAFFLE LT - GREEN	1	
9	SC258GR	MOUNT PLATE W/ STUD, INTERNAL BAFFLE RT - GREEN	1	
10	SC259G	STRAP, INTERNAL BAFFLE - GREEN	1	
11	SC277GA	DOOR JDS 700 SIEVE ACCESS W/DECAL - GREEN	1	
12	SC346G	BAFFLE JDS INTERNAL CHAFF - GREEN	1	S/S SC630G
13	SC346GA	BAFFLE ASSY JDS INTERNAL CHAFF DEFLECTOR	1	S/S SC630GA
14	PII-0216	PIN ROLL .125 x 1 YZD	4	
15	RO3-08	RIVET SS 0.188 x .375L	11	
16	RP971	SPRING, COMPRESSION	4	
17	RPI136	DECAL SCU OPERATIONAL MODES	3	
18	SC346-O2	RUBBER BAFFLE, INTERNAL CHAFF	1	
19	WIIM-12	WASHER FLAT M12 x 23.5 x 2.4 YZD	4	

S/S = SUPERSEDED BY

SC006-04

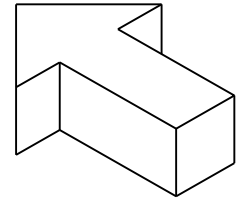
Indicate implement serial number with any parts order _____

Seed Control Unit for John Deere S-Series Combine

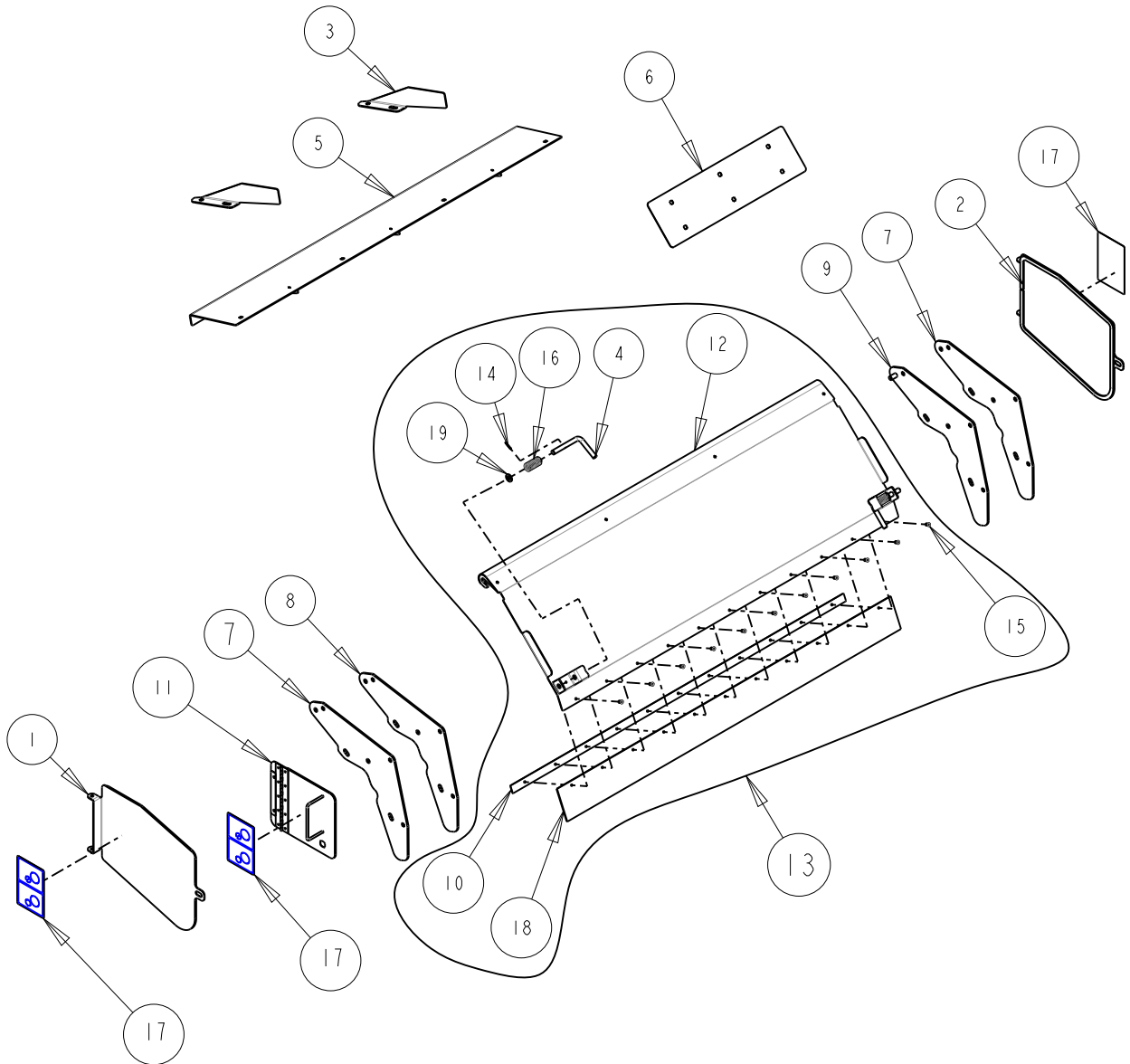
Page:IO-1A
Date:18FEB2022

Serial No Range From:
SCDA0400

Serial No Range To:
PRESENT



FRONT OF COMBINE



SC006-04

Indicate implement serial number with any parts order _____

Seed Control Unit for John Deere S-Series Combine

Page:IO-2A
Date:18FEB2022Serial No Range From:
SCDA0400Serial No Range To:
PRESENT

ITEM NO.	PART NO.	DESCRIPTION	QTY	NOTE
1	CD682GAL	ASSY VENT COVER LT JDS 600 C/W DCL - GREEN	1	
2	CD682GAR	ASSY VENT COVER RT JDS 600 C/W DCL - GREEN	1	
3	CD733G	FIN, BEATER - GREEN	2	
4	CD753Z	PIN, CHAFF DOOR - YZD	2	
5	SC200G	EXTENSION, BEATER - GREEN	1	
6	SC251G	COVER PLATE, FIN - GREEN	1	
7	SC258-OIG	MOUNT PLATE, INTERNAL BAFFLE - GREEN	2	
8	SC258GL	MOUNT PLATE W/ STUD, INTERNAL BAFFLE LT - GREEN	1	
9	SC258GR	MOUNT PLATE W/ STUD, INTERNAL BAFFLE RT - GREEN	1	
10	SC259G	STRAP, INTERNAL BAFFLE - GREEN	1	
11	SC277GA	DOOR JDS 700 SIEVE ACCESS W/DECAL - GREEN	1	
12	SC630G	BAFFLE, INTERNAL CHAFF - GREEN	1	
13	SC630GA	BAFFLE ASSY JDS INTERNAL CHAFF STRAIGHT	1	
14	PII-0216	PIN ROLL .125 x 1 YZD	2	
15	RO3-08	RIVET SS 0.188 x .375L	11	
16	RP971	SPRING, COMPRESSION	2	
17	RPI136	DECAL SCU OPERATIONAL MODES	3	
18	SC346-02	RUBBER BAFFLE, INTERNAL CHAFF	1	
19	WIIM-12	WASHER FLAT M12 x 23.5 x 2.4 YZD	2	

SC006-04

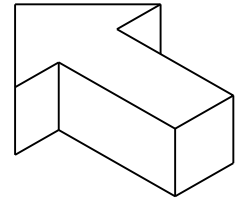
Indicate implement serial number with any parts order _____

Seed Control Unit for John Deere S-Series Combine

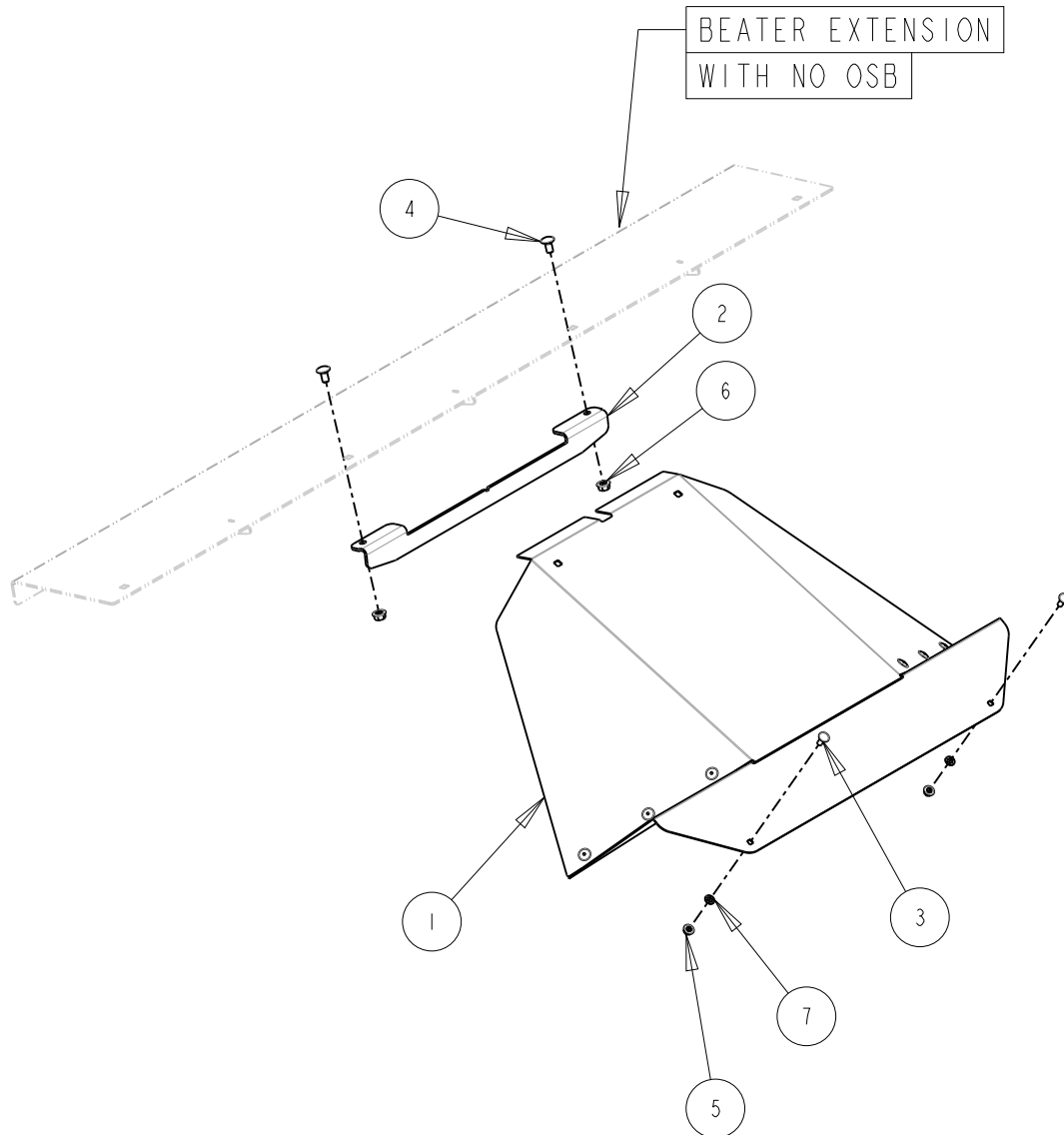
Page: IO-3
Date: 21JULY2021

Serial No Range From:
SCDAO300

Serial No Range To:
PRESENT



FRONT OF COMBINE



FOR MACHINES WITHOUT OVER-SHOT BEATER

SC006-04

Seed Control Unit for John Deere S-Series Combine

Page: IO-4

Serial No Range From:

Serial No Range To:

Date: 21JULY2021

SCDAO300

PRESENT

ITEM NO.	PART NO.	DESCRIPTION	QTY	NOTE
1	SC433A	ASSY STRAW DIVIDER JDS	1	
2	SC433G	DIVIDER STRAW MOUNT - GREEN	1	
3	B3IM-0616	BOLT RH M6X16 C8.8 YZD ISO8678 Short Neck	2	
4	B3IM-0816	BOLT RH M8x16 C8.8 YZD ISO8678 Short Neck	2	
5	N2IM-06	NUT FLG M6 C8 YZD Iso4161	2	
6	N2IM-08	NUT FLG M8 C8 YZD Iso4161	2	
7	N63M-06	NUT PUSH M6 YZD	2	
	SC433K	STRAW DIVIDER KIT		

SC006-04

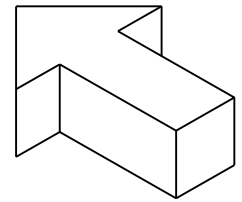
L Indicate implement serial number with any parts order _____

Seed Control Unit for John Deere S-Series Combine

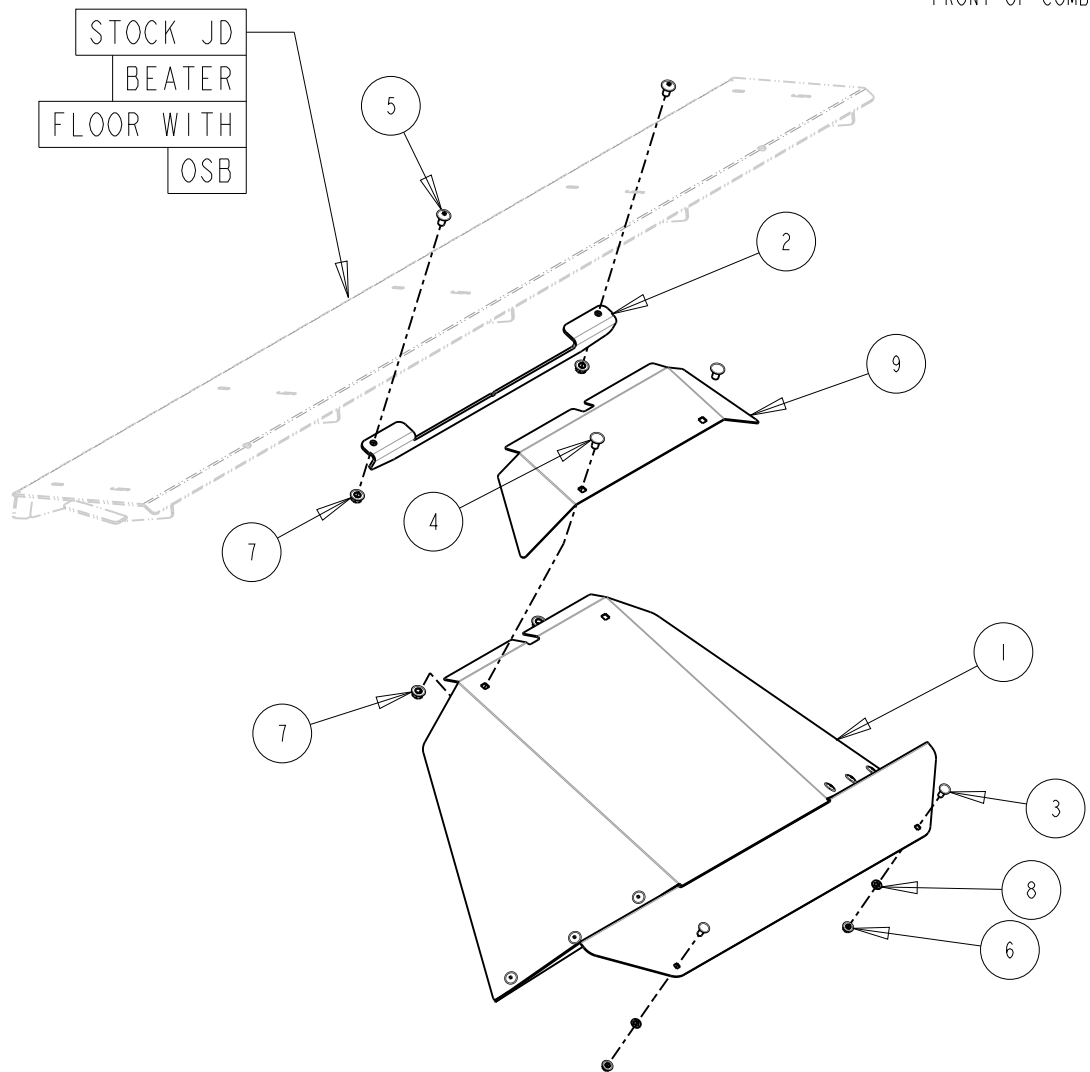
Page: IO-5
Date: 21JULY2021

Serial No Range From:
SCDAO300

Serial No Range To:
PRESENT



FRONT OF COMBINE



FOR MACHINES WITH OVER-SHOT BEATER

SC006-04

Seed Control Unit for John Deere S-Series Combine

Page: IO-6

Serial No Range From:

Serial No Range To:

Date: 21JULY2021

SCDA0300

PRESENT

ITEM NO.	PART NO.	DESCRIPTION	QTY	NOTE
1	SC433A	ASSY STRAW DIVIDER JDS	1	
2	SC433G	DIVIDER STRAW MOUNT - GREEN	1	
3	B3IM-0616	BOLT RH M6X16 C8.8 YZD ISO8678 Short Neck	2	
4	B3IM-0816	BOLT RH M8x16 C8.8 YZD ISO8678 Short Neck	2	
5	B38M-0816	BOLT RH ALLEN M8x16 C8.8 YZD DIN11252 No Neck	2	
6	N2IM-06	NUT FLG M6 C8 YZD Iso4161	2	
7	N2IM-08	NUT FLG M8 C8 YZD Iso4161	4	
8	N63M-06	NUT PUSH M6 YZD	2	
9	SC433-04	MOUNT EXTENSION STRAW DIVIDER	1	
	SC433K	STRAW DIVIDER KIT		

SC006-04

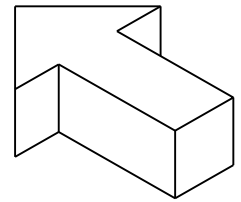
L Indicate implement serial number with any parts order _____

Seed Control Unit for John Deere S-Series Combine

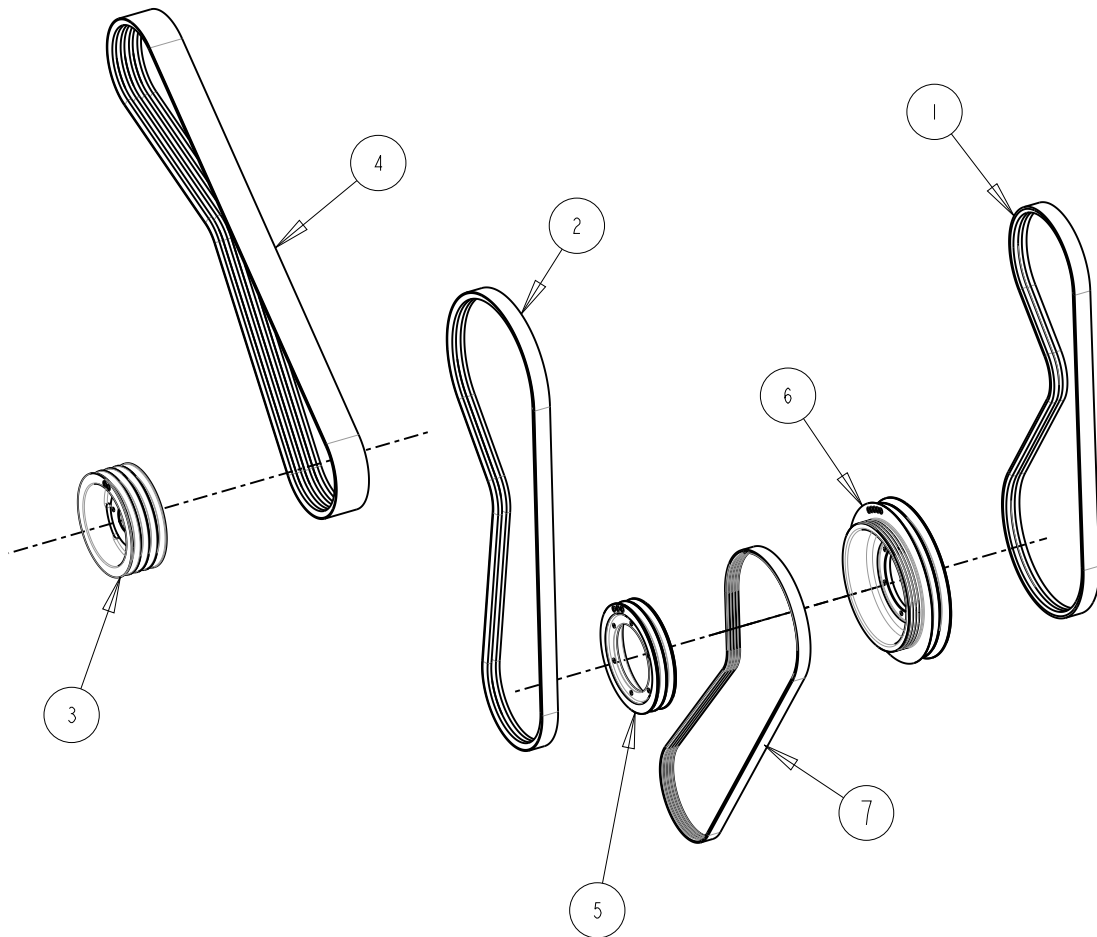
Page:II-I
Date: 21JULY2021

Serial No Range From:
SCDA0300

Serial No Range To:
PRESENT



FRONT OF COMBINE



BELT AND SHEAVE FOR FINE CUT (FC)

SC006-04

Seed Control Unit for John Deere S-Series Combine

Page:II-2

Serial No Range From:

Serial No Range To:

Date: 21JULY2021

SCDA0300

PRESENT

ITEM NO.	PART NO.	DESCRIPTION	QTY	NOTE
1	HXE124869	JOHN DEERE SLOW SPEED CHOPPER BELT	1	REDEKOP P/N BE2C114K, HEAVY DUTY BE2CX114K
2	BE2C112K	VBELT 2C x 112L KEVLAR	1	
3	H227595	SHEAVE 4 HC JDS UPR DRIVE	1	RP967 FOR MAV SCU
4	H240888	V-BELT UPPER CHOPPER DRIVE 4HC	1	BE4C127K FOR MAV SCU
5	RP968	SHEAVE 2 HC JDS CHOPPER DRIVEN	1	
6	RPI154	SHEAVE 2C 4PVM SCU JDS	1	
7	BE4M107K	VBELT 4M x 107L KEVLAR	1	

SC006-04

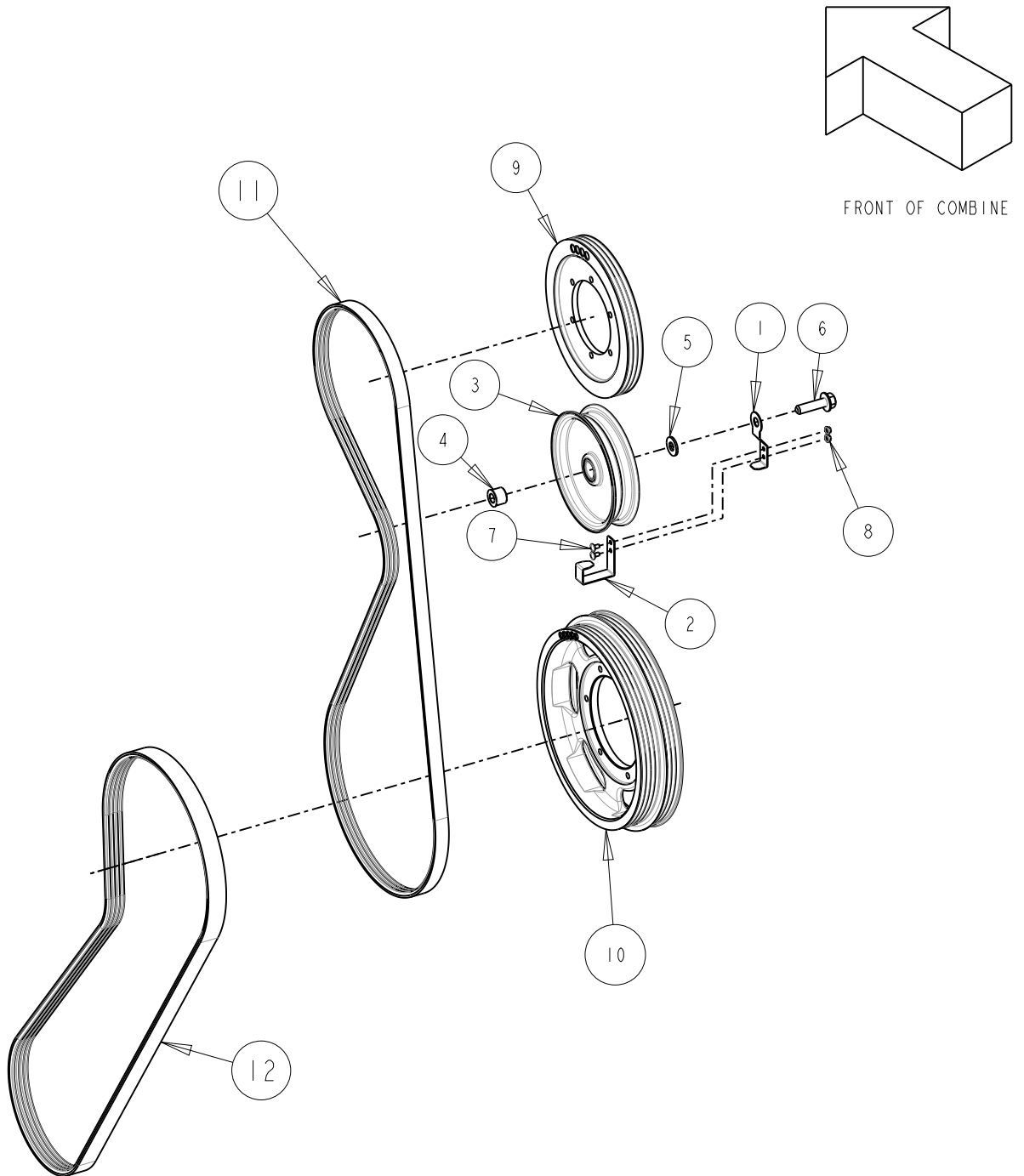
L Indicate implement serial number with any parts order _____

Seed Control Unit for John Deere S-Series Combine

Page:II-3
Date: 21JULY2021

Serial No Range From:
SCDAO300

Serial No Range To:
PRESENT



BELT AND SHEAVE FOR EXTRA FINE CUT (XFC)

SC006-04

Seed Control Unit for John Deere S-Series Combine

Page:II-4
Date: 21JULY2021

Serial No Range From:
SCDAO300

Serial No Range To:
PRESENT

ITEM NO.	PART NO.	DESCRIPTION	QTY	NOTE
1	SCI98G	SCRAPER, IDLER RT DRV TOP - GREEN	1	
2	SCI99G	SCRAPER, IDLER RT DRV BTM - GREEN	1	
3	SC478-01	IDLER 8PD 2.0W 30mm ID	1	
4	SC479Z	BUSHING IDLER 16mm ID 30mm OD	1	
5	SC481Z	WASHER 16.25 ID 35.5 OD 3.416 THK	1	
6	B21M-1660	BOLT FLG M16X60 C8.8 YZD Iso8102	1	
7	B31M-0612	BOLT RH M6X12 C8.8 YZD ISO8678 Short Neck	2	
8	N21M-06	NUT FLG M6 C8 YZD Iso4161	2	
9	RP1147	SHEAVE JS DRIVER 3M 300	1	
10	RP1148	SHEAVE SCU JDS series XFC Driver	1	
11	BE3M114K	VBELT 3M X 114L KEVLAR	1	
12	BE4M107K	VBELT 4M X 107L KEVLAR	1	

SC006-04

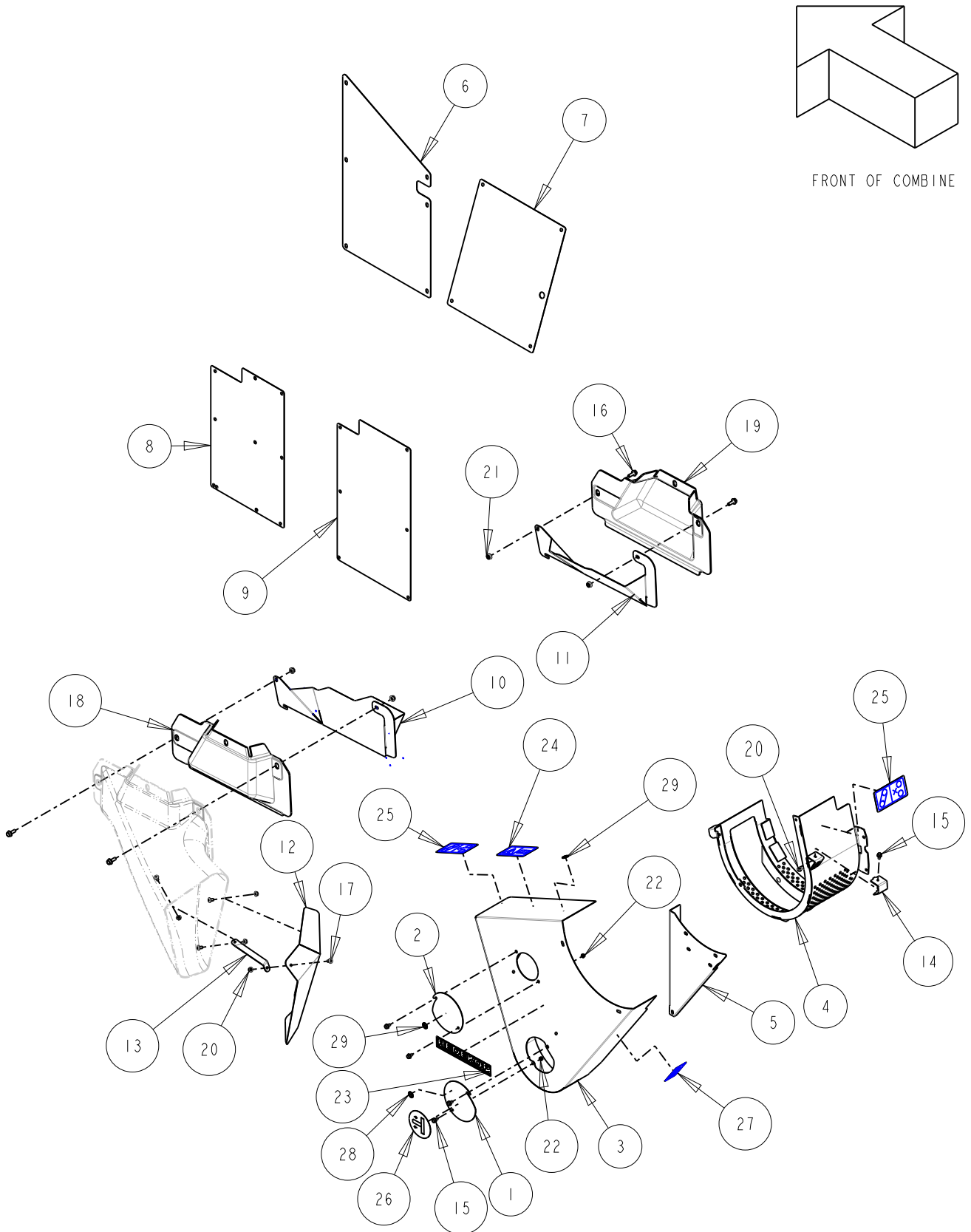
L Indicate implement serial number with any parts order _____

Seed Control Unit for John Deere S-Series Combine

Page:12-1
Date:28FEB2022

Serial No Range From:
SCDA0300

Serial No Range To:
PRESENT



SC006-04

Indicate implement serial number with any parts order _____

Seed Control Unit for John Deere S-Series Combine

Page:12-2

Serial No Range From:

Serial No Range To:

Date:28FEB2022

SCDA0300

PRESENT

ITEM NO.	PART NO.	DESCRIPTION	QTY	NOTE
1	CD735GA	COVER SCU DRIVE W/ DECALS - GREEN	1	
2	CD822GA	COVER SCU SHIELD 50HR - GREEN	1	
3	SCI91GA	SHIELD, SCU LOWER DRIVE - GREEN	1	
4	SCI93GA	SHIELD, JDS SCU OEM W/ DECAL - GREEN	1	FOR OEM CHOPPER
5	SCI94G	SHIELD, BACKSIDE SCU - GREEN	1	
6	SC281G	JDS FAN BLOCKER PANEL - GREEN	1	
7	SC302G	COVER JDS700 RH SIDE PANEL - GREEN	1	
8	SC303G	COVER JDS LT FRT PANEL - GREEN	1	
9	SC304G	COVER JDS LT REAR PANEL - GREEN	1	
10	SC351GL	VENT BAFFLE JD APC L - GREEN	1	
11	SC351GR	VENT BAFFLE JD APC R - GREEN	1	
12	SC486G	DEFLECTOR VENT APC - GREEN	1	
13	SC487G	BRACE DEFLECTOR VENT APC - GREEN	1	
14	SC647G	ADAPTOR PLATE S600 - GREEN	1	FOR 600 SERIES COMBINES
15	B21M-0816	BOLT FLG M8X16 C8.8 YZD Iso8102	5	
16	B21M-1030	BOLT FLG M10X30 C8.8 YZD Iso8102	4	
17	B38M-0816	BOLT RH ALLEN M8x16 C8.8 YZD DIN11252 No Neck 4		
18	HXE73659	COVER, SHOE VENT RT	1	
19	HXE73660	COVER, SHOE VENT LT	1	
20	N21M-08	NUT FLG M8 C8 YZD Iso4161	5	
21	N21M-10	NUT FLG M10 C8 YZD Iso4161	4	
22	N42M-08	NUT LOCK STL M8 C10 YZD DIN980V	2	
23	RP240	DECAL REDEKOP 12" X 2"	1	
24	RP873	DECAL EU SAFETY CHECK SERVICE	1	
25	RP874	DECAL SAFETY BELT KEEP HANDS OUT	2	
26	RPI036	DECAL SCU DRIVE ENGAGEMENT	1	
27	RPI090	DECAL SAFETY HEARING PROTECTION	1	
28	RPI091	DECAL GREASE 12 HR	1	
29	RPI092	DECAL GREASE 50 HR	2	

SC006-04

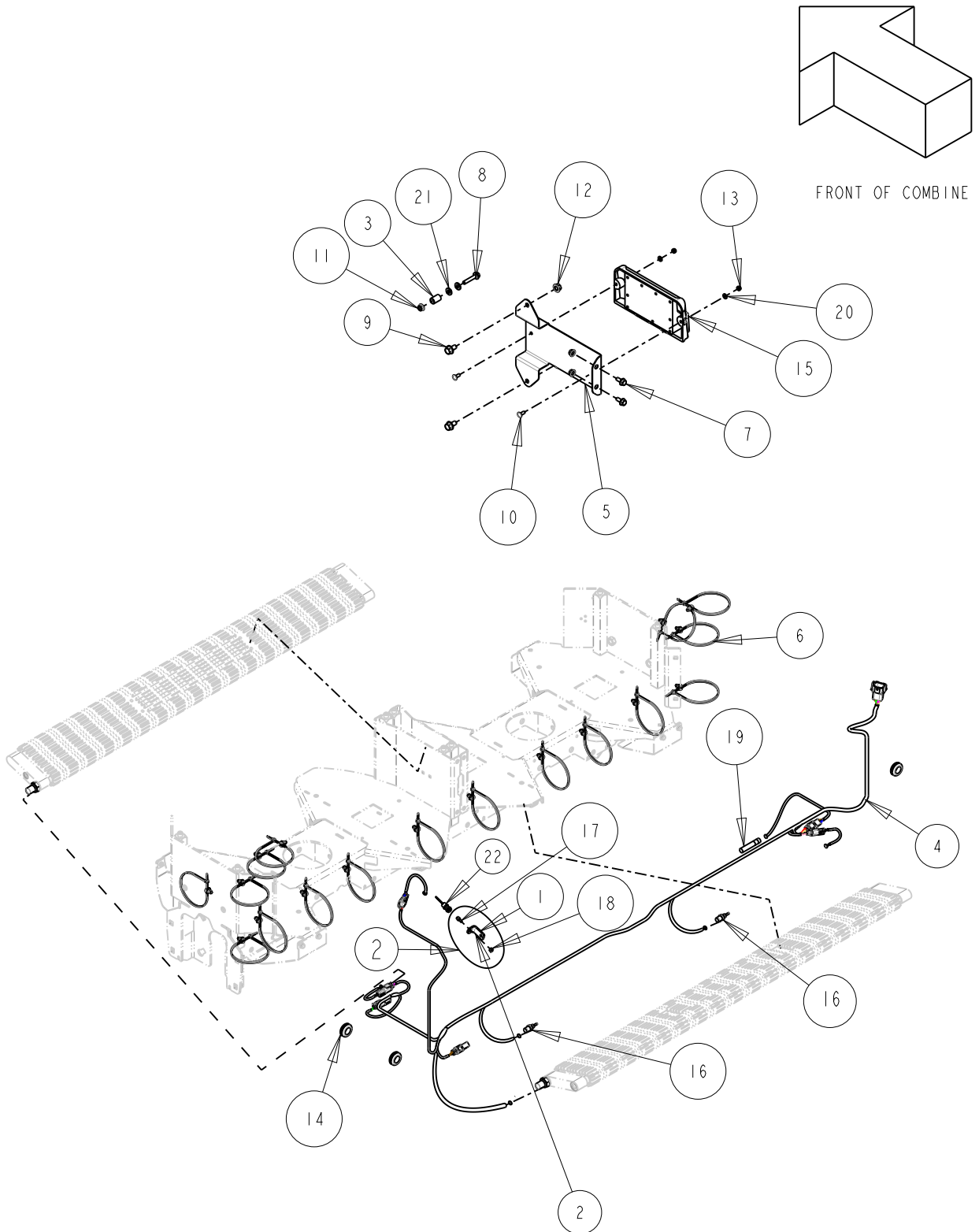
Indicate implement serial number with any parts order _____

Seed Control Unit for John Deere S-Series Combine

Page:13-1
Date:18FEB2022

Serial No Range From:
SCDA0300

Serial No Range To:
SCDA0399



SC006-04

Indicate implement serial number with any parts order _____

Seed Control Unit for John Deere S-Series Combine

Page:13-2
Date:18FEB2022

Serial No Range From:
SCDA0300

Serial No Range To:
SCDA0399

ITEM NO.	PART NO.	DESCRIPTION	QTY	NOTE
1	CD767G	TAB, SCU JD OEM PROXIMITY SNSR - GREEN	1	NSS - CD767GA
2	CD767GA	ASSY PROX SENSOR TARGET - GREEN	1	INCLUDES ITEM NO. 1, 17, 18
3	CS856Z	SPACER ROLLER - YZD	1	
4	RPI183	HARNESS SCU LH DRIVE NARROW	1	
5	SC297G	BRACKET, ECU - GREEN	1	
6	87741307	CABLE TIE, FIR TREE	17	
7	B21M-0820	BOLT FLG M8X20 C8.8 YZD Iso8102	2	
8	B21M-0845	BOLT FLG M8X45 C8.8 YZD Iso8102	1	
9	B21M-1020	BOLT FLG M10X20 C8.8 YZD Iso8102	2	
10	B31M-0616	BOLT RH M6X16 C8.8 YZD ISO8678 Short Neck	2	
11	N21M-08	NUT FLG M8 C8 YZD Iso4161	3	
12	N21M-10	NUT FLG M10 C8 YZD Iso4161	2	
13	N42M-06	NUT LOCK STL M6 C10 YZD DIN980V	2	
14	RPI26	GROMMET .751D 1.063H .188TK	3	
15	RPI021	ECU, SCU TAILBOARD CONTROL	1	
16	RPI069	SENSOR, OIL TEMP	2	
17	RPI101	MAGNET, ACTUATOR	1	NSS - CD767GA
18	RPI102	NUT LOCK #8-32 UNC NYLON ZINC	1	NSS - CD767GA
19	RPI124	SENSOR, SPEED 15IN CABLE	1	
20	WIIM-06	WASHER FLAT M6 x 13 x 1.75 YZD	2	
21	WIIM-08	WASHER FLAT M8 x 18.8 x 2.3 YZD	2	
22	RPI125	SENSOR, PROXIMITY 6IN CABLE	1	FOR MAV CHOPPER

NSS = NOT SERVICED SEPARATELY

SC006-04

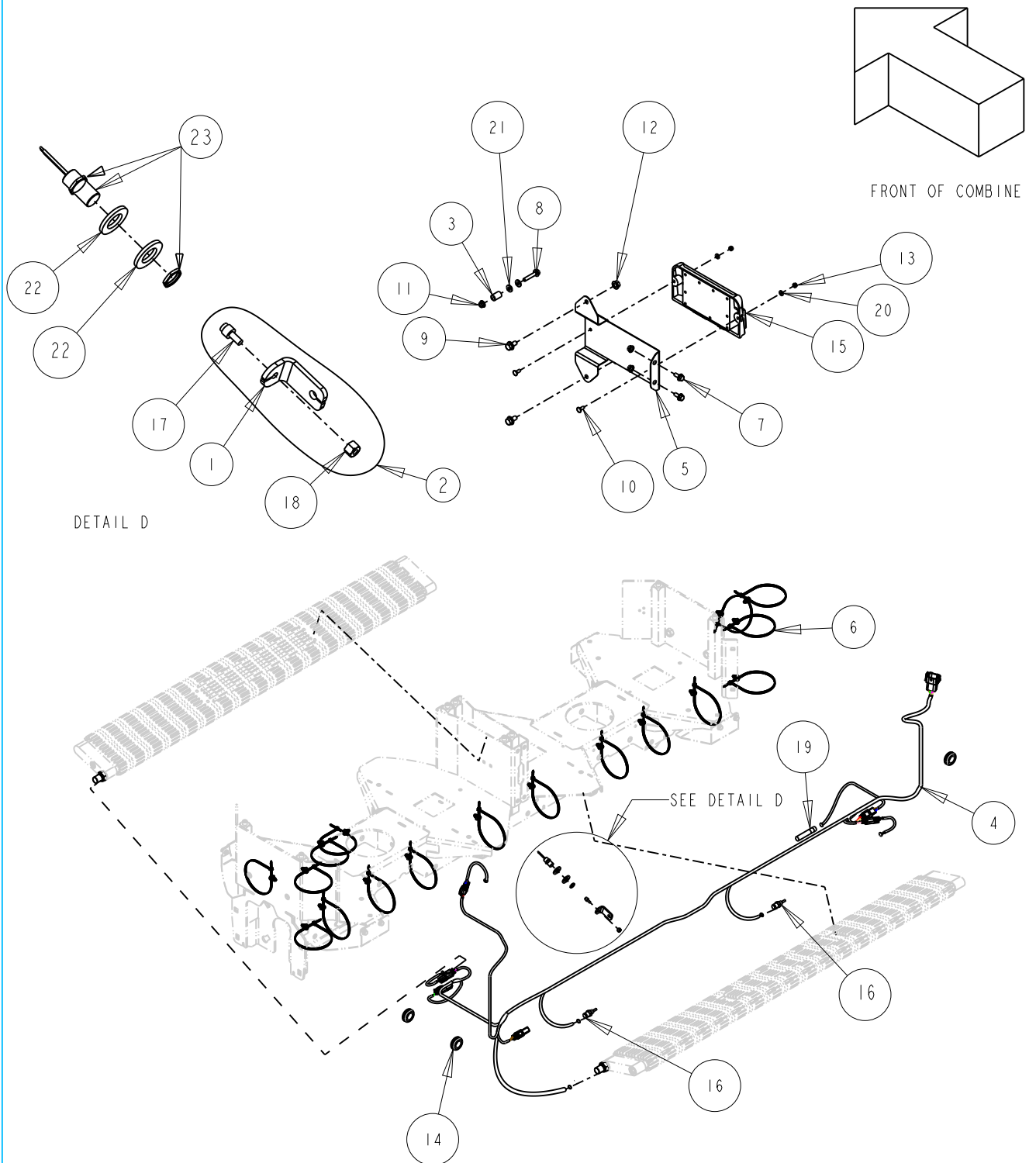
Indicate implement serial number with any parts order _____

Seed Control Unit for John Deere S-Series Combine

Page:13-3
Date:18FEB2022

Serial No Range From:
SCDA0400

Serial No Range To:
PRESENT



SC006-04

Indicate implement serial number with any parts order _____

Seed Control Unit for John Deere S-Series Combine

Page:13-4
Date:18FEB2022

Serial No Range From:
SCDA0400

Serial No Range To:
PRESENT

ITEM NO.	PART NO.	DESCRIPTION	QTY	NOTE
1	CD767G	TAB, SCU JD OEM PROXIMITY SNSR - GREEN	1	NSS - CD767GA
2	CD767GA	ASSY PROX SENSOR TARGET - GREEN	1	INCLUDES ITEM NO. 1, 17, 18
3	CS856Z	SPACER ROLLER - YZD	1	
4	RPI183	HARNESS SCU LH DRIVE NARROW	1	
5	SC297G	BRACKET, ECU - GREEN	1	
6	87741307	CABLE TIE, FIR TREE	17	
7	B21M-0820	BOLT FLG M8X20 C8.8 YZD Iso8102	2	
8	B21M-0845	BOLT FLG M8X45 C8.8 YZD Iso8102	1	
9	B21M-1020	BOLT FLG M10X20 C8.8 YZD Iso8102	2	
10	B31M-0616	BOLT RH M6X16 C8.8 YZD ISO8678 Short Neck	2	
11	N21M-08	NUT FLG M8 C8 YZD Iso4161	3	
12	N21M-10	NUT FLG M10 C8 YZD Iso4161	2	
13	N42M-06	NUT LOCK STL M6 C10 YZD DIN980V	2	
14	RPI26	GROMMET .75ID 1.063H .188TK	3	
15	RPI021	ECU, SCU TAILBOARD CONTROL	1	
16	RPI069	SENSOR, OIL TEMP	2	
17	RPI101	MAGNET, ACTUATOR	1	NSS - CD767GA
18	RPI102	NUT LOCK #8-32 UNC NYLON ZINC	1	NSS - CD767GA
19	RPI124	SENSOR, SPEED 15IN CABLE	1	
20	WIIM-06	WASHER FLAT M6 x 13 x 1.75 YZD	2	
21	WIIM-08	WASHER FLAT M8 x 18.8 x 2.3 YZD	2	
22	WIIM-12	WASHER FLAT M12 x 23.5 x 2.4 YZD	2	
23	RPI125	SENSOR, PROXIMITY 6IN CABLE	1	FOR MAV CHOPPER

NSS = NOT SERVICED SEPARATELY

SC006-04

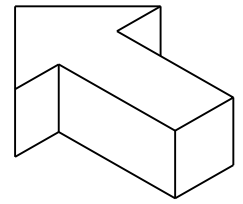
Indicate implement serial number with any parts order _____

Seed Control Unit for John Deere S-Series Combine

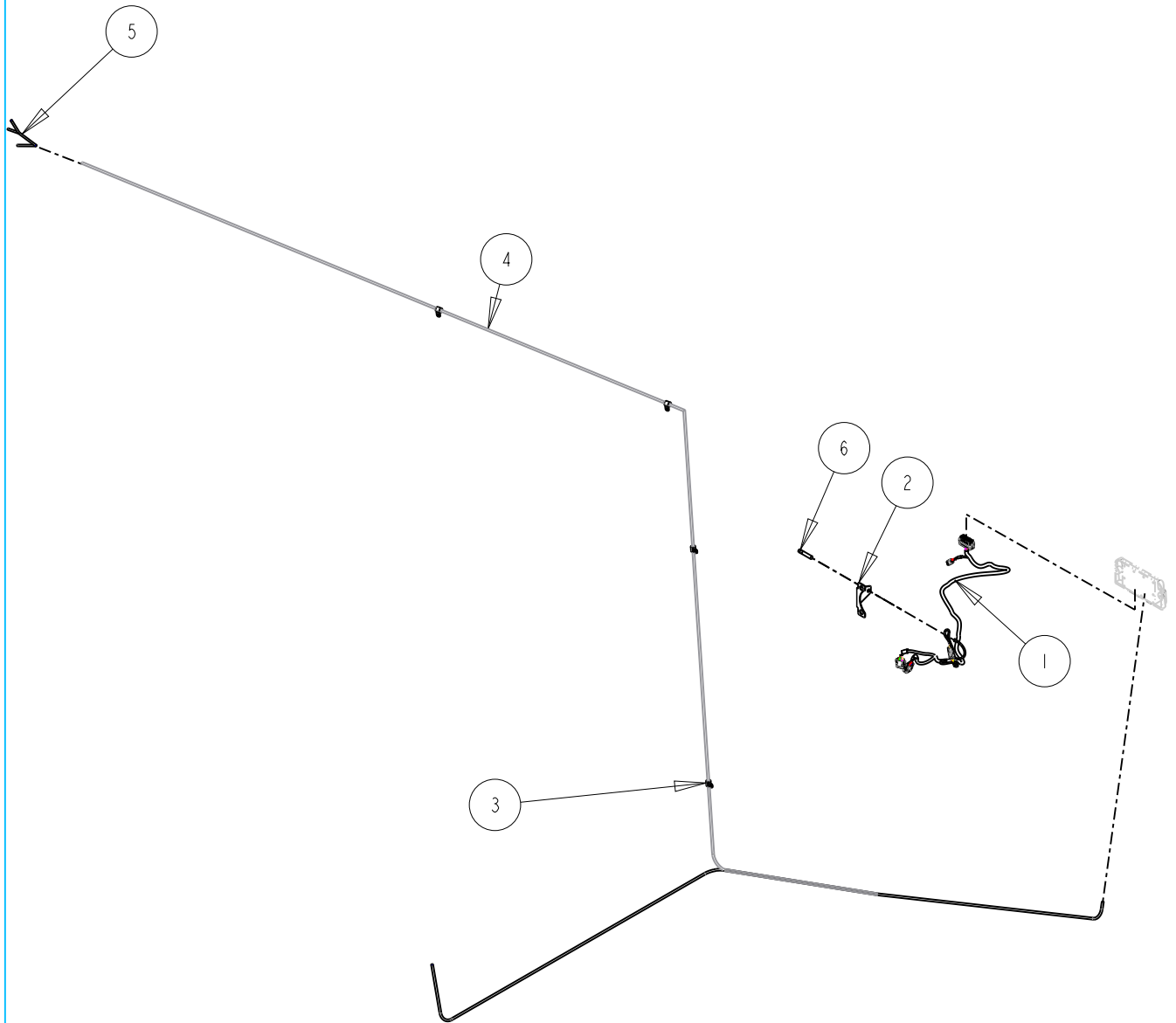
Page:14-1
Date: 21JULY2021

Serial No Range From:
SCDAO300

Serial No Range To:
PRESENT



FRONT OF COMBINE



SC006-04

L Indicate implement serial number with any parts order _____

Seed Control Unit for John Deere S-Series Combine

Page:14-2

Serial No Range From:

Serial No Range To:

Date: 21JULY2021

SCDA0300

PRESENT

ITEM NO.	PART NO.	DESCRIPTION	QTY	NOTE
1	RPII23	HARNESS, MAIN ECU	1	
2	SC282G	MOUNT, SPEED SENSOR - GREEN	1	
3	H99-08	TUBE STRAP 0.5 OD ZN RUBBER	4	
4	RPIO22	HARNESS, ECU POWER, CAB	1	
5	RPIO30	HARNESS, TEE JD S700S ADAPTER	1	RPIO23 FOR 600 SERIES
6	RPII24	SENSOR, SPEED 15IN CABLE	1	
	RPIO61	HARNESS, MAV SCU TAILBOARD	1	FOR MAV SCU

SC006-04

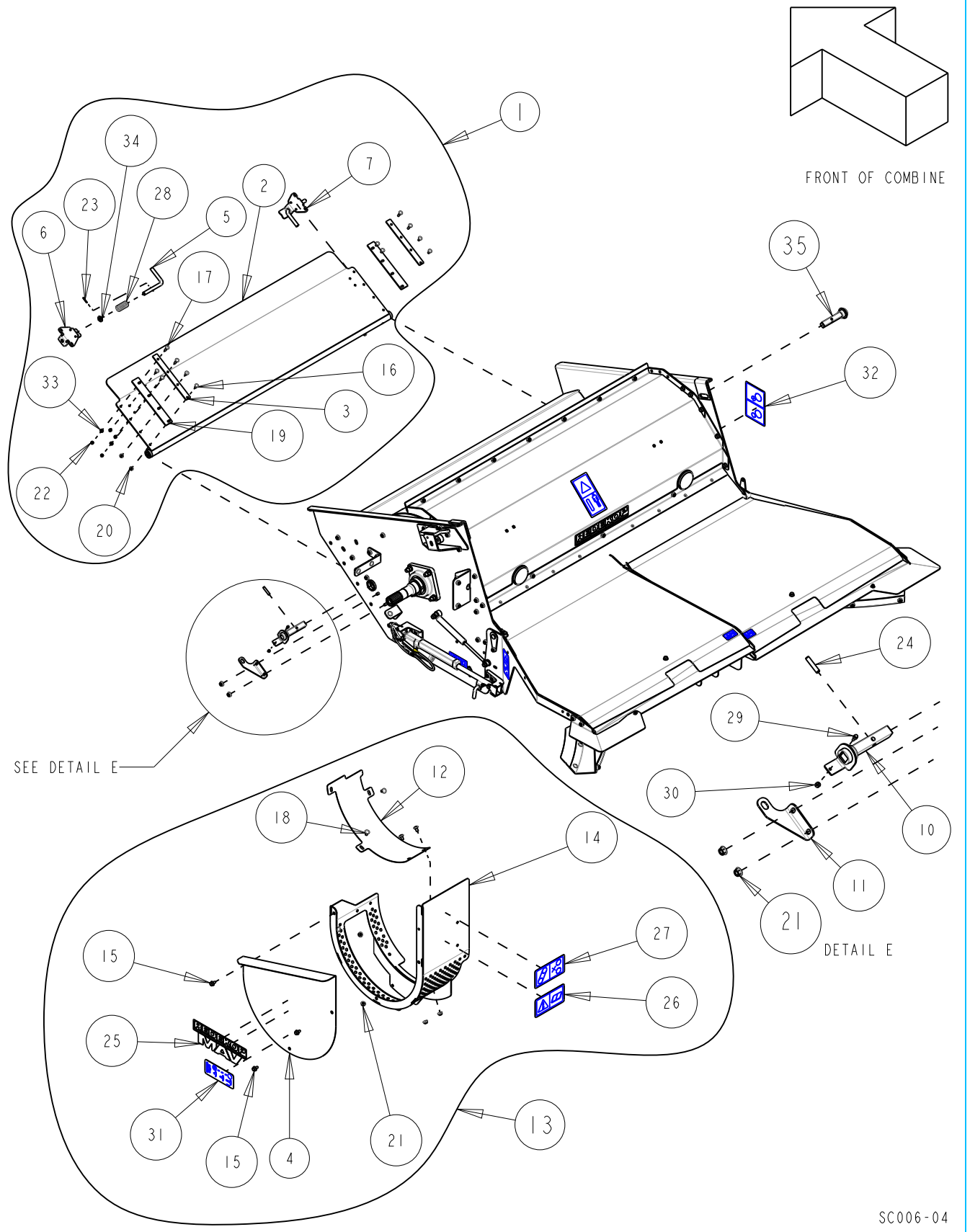
L Indicate implement serial number with any parts order _____

Seed Control Unit for John Deere S-Series Combine - MAV Chopper

Page:15-1
Date:14DEC2022

Serial No Range From:
SCDAO300

Serial No Range To:
PRESENT



SC006-04

Indicate implement serial number with any parts order _____

Seed Control Unit for John Deere S-Series Combine - MAV Chopper

Page:15-2

Serial No Range From:

Serial No Range To:

Date:14DEC2022

SCDA0300

PRESENT

ITEM NO.	PART NO.	DESCRIPTION	QTY	NOTE
1	CDIO41GA	ASSY CHAFF DOOR MAV - GREEN	1	INCLUDES ITEM NO. 2, 3, 7, 16, 17, 19, 20, 22, 33
2	CD622G	DOOR CHAFF JD-S - GREEN	1	NSS - CDIO41GA
3	CD625G	BACKPLATE, DOOR - GREEN	2	
4	CD655GA	FRONT SHIELD, JD S SERIES W/ DECALS - GREEN I		
5	CD753Z	PIN, CHAFF DOOR - YZD	2	
6	CD815G	LATCH BRACKET SCU DOOR MAV - GREEN	2	
7	CD815GA	ASSY LATCH SCU DOOR MAV - GREEN	2	INCLUDES ITEM NO. 5, 6, 23, 28, 34
8	SCI91GA	SHIELD, SCU LOWER DRIVE - GREEN	1	
9	SCI94G	SHIELD, BACKSIDE SCU - GREEN	1	
10	SC298Z	PIN CHAFF DOOR W SNSR TAB	1	
11	SC299G	BRACKET, DOOR SNSR MT - GREEN	1	
12	SC367G	BLOCK-OUT PLATE, JDS MAV - GREEN	1	
13	SC439GA	BOTTOM SHIELD, JD S ASSY W/ DECALS - GREEN I		INCLUDES ITEM NO. 4, 12, 14, 15, 18, 21, 25, 26, 27, 31
14	SC440GA	SHIELD BTM, JD S SERIES W/ DECALS - GREEN I		
15	B2IM-0816	BOLT FLG M8X16 C8.8 YZD Iso8102	7	
16	B3IM-0616	BOLT RH M6X16 C8.8 YZD ISO8678 Short Neck	8	
17	B3IM-0625	BOLT RH M6X25 C8.8 YZD ISO8678 Short Neck	4	
18	B3IM-0816	BOLT RH M8x16 C8.8 YZD ISO8678 Short Neck	28	
19	CD624-01	BELT, DOOR SEAL	2	
20	N2IM-06	NUT FLG M6 C8 YZD Iso4161	4	
21	N2IM-08	NUT FLG M8 C8 YZD Iso4161	79	
22	N42M-06	NUT LOCK STL M6 C10 YZD DIN980V	8	
23	PII-0216	PIN ROLL .125 x 1 YZD	2	
24	PII-0524	PIN ROLL .313 x 1.5 YZD	2	
25	RPI75	DECAL MAV 2H x 10L	1	
26	RP873	DECAL EU SAFETY CHECK SERVICE	1	
27	RP874	DECAL SAFETY BELT KEEP HANDS OUT	1	
28	RP971	SPRING, COMPRESSION	2	
29	RPI101	MAGNET, ACTUATOR	1	
30	RPI102	NUT LOCK #8-32 UNC NYLON ZINC	1	
31	RPI106	DECAL JD SHIFTER	1	
32	RPI136	DECAL SCU OPERATIONAL MODES	1	
33	WIIM-06	WASHER FLAT M6 x 13 x 1.75 YZD	4	
34	WIIM-12	WASHER FLAT M12 x 23.5 x 2.4 YZD	2	
35	CGI31Z	PIVOT PIN, CHOPPER DOOR YZD	1	

NSS - NOT SERVICED SEPARATELY

SC006-04

Indicate implement serial number with any parts order _____

Seed Control Unit for John Deere S-Series Combine

Page:16-1
Date: 21JULY2021

Serial No Range From:
SCDAO300

Serial No Range To:
PRESENT



1



2



3



4



5



6



8

7

SC006-04

Indicate implement serial number with any parts order _____

Seed Control Unit for John Deere S-Series Combine

Page:16-2

Serial No Range From:

Serial No Range To:

Date: 21JULY2021

SCDA0300

PRESENT

ITEM NO.	PART NO.	DESCRIPTION	QTY	NOTE
1	RPI065	TABLET, MAV SCU	1	
2	RPI229	DOUBLE SOCKET ARM - B SIZE 6"	1	
3	RPI234	BASE, CLAW TYPE - B SIZE 1"	2	
4	RPI126	MOUNT, TABLET W/ADAPTER CAN/USB - ATTACHED TO RAM MOUNT	1	
5	RPI127	HARNESS, LIGHTER PLUG	1	
6	RPI128	HARNESS, CAN EXTENSION 20FT	1	
7	RPI129	TABLET, SERVICE TOOL W/DUST PROOF CASE	1	DEALER ONLY
8	RPI130	HARNESS MODULE, TOOL	1	DEALER ONLY

SC006-04

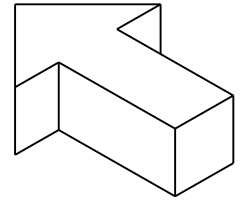
L Indicate implement serial number with any parts order _____

Seed Control Unit for John Deere S-Series Combine

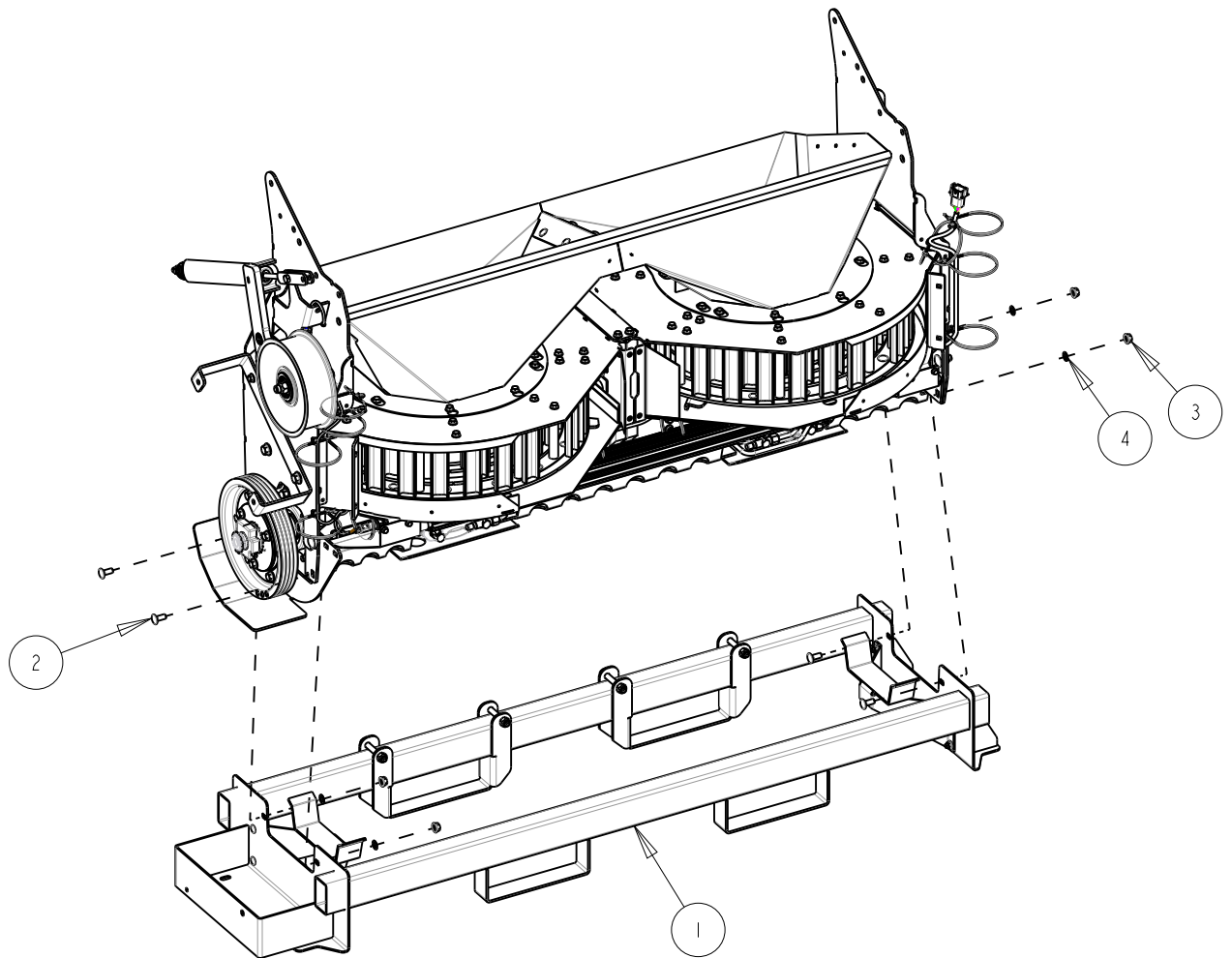
Page:17-1
Date:21APR2023

Serial No Range From:
SCDA0300

Serial No Range To:
PRESENT



FRONT OF COMBINE



SC006-04

Indicate implement serial number with any parts order _____

Seed Control Unit for John Deere S-Series Combine

Page:17-2
Date:21APR2023

Serial No Range From:
SCDA0300

Serial No Range To:
PRESENT

ITEM NO.	PART NO.	DESCRIPTION	QTY	NOTE
1	SC375A	ASSY SCU SHIPPING FRAME NARROW	1	
2	B3IM-1025	BOLT RH M10X25 C8.8 YZD ISO8678 Short Neck	4	
3	N2IM-10	NUT FLG M10 C8 YZD Iso4161	4	
4	N63M-10	NUT PUSH M10 BLACK PH	4	

SC006-04

L Indicate implement serial number with any parts order _____