



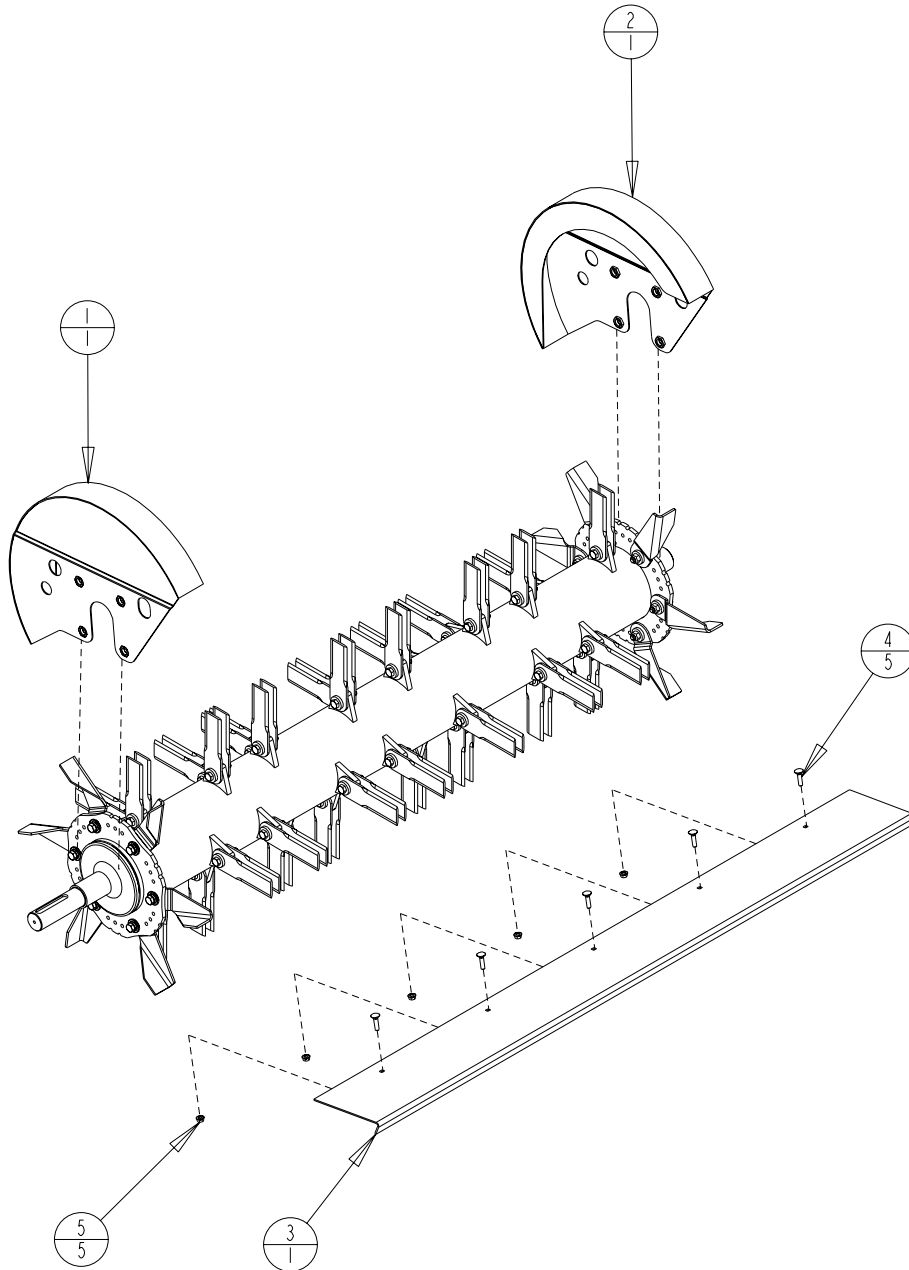
John Deere WTS
MAV 300
Parts Manual

CHOPPER
WTS SHROUD & FLOOR EXTENSION

Page:MC-63-301.01
Date:30JAN07

Serial No Range From:
RM11688

Serial No Range To:
PRESENT



WTS SHROUD & FLOOR EXTENSION**PAGE: MC-63-301.01**

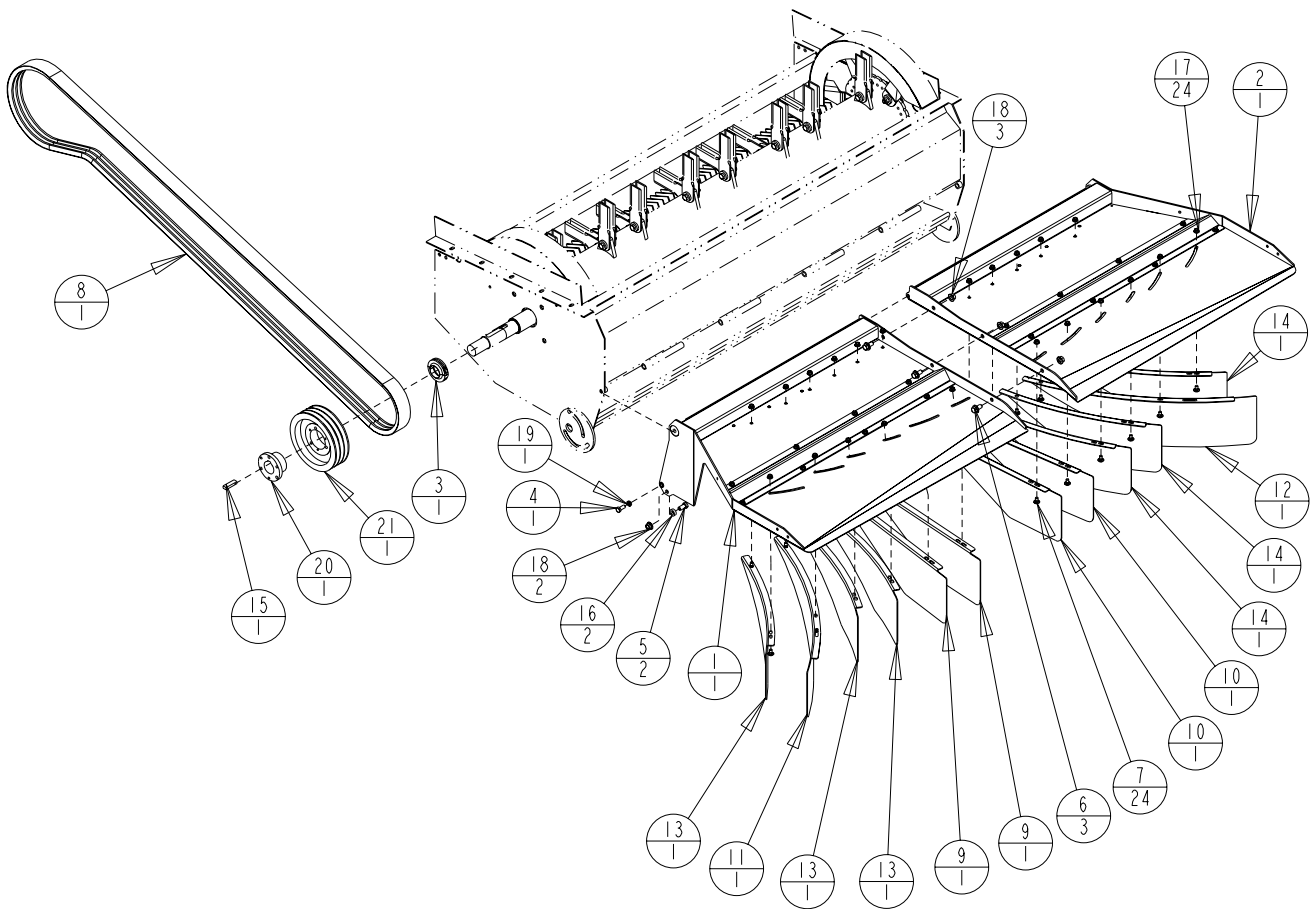
ITEM NO.	PART NO.	DESCRIPTION	QTY	NOTE
1	CD254WL	SHROUD LT WTS RTR	1	
2	CD254WR	SHROUD RT WTS RTR	1	
3	CD255W	FLOOR EXT WTS	1	
4	B31M-0835	BOLT RH M8X35 C8.8	5	
5	N21M-08	NUT FLG M8 C8 YZD	5	

CHOPPER
WTS DRIVE & TAILBOARD

Page:MC-63-302.01
Date:30JAN07

Serial No Range From:
RMII688

Serial No Range To:
PRESENT



WTS DRIVE & TAILBOARD


ITEM NO.	PART NO.	DESCRIPTION	QTY	NOTE
1	CD258WL	TAILBOARD WTS 66W LT	1	
2	CD258WR	TAILBOARD WTS 66W RT	1	
3	AZ46911	MAGNET SPD SNSR WTS RTR UPGRD	1	
4	B11M-1025	BOLT HEX M10X25 C8.8 YZD	1	
5	B11M-1225	BOLT HEX M12X25 C8.8 YZD	2	
6	B21M-1225	BOLT FLG M12X25 C8.8 YZD	3	
7	B31M-0816	BOLT RH M8X16 C8.8 YZD	24	
8	BE3B192_WTS	VBELT 3B x 192L	1	
9	CG116-01L	FIN STR 22L LT	2	
10	CG116-01R	FIN STR 22L RT	2	
11	CG119-01L	FIN CRV LT 31L	1	
12	CG119-01R	FIN CRV RT 31L	1	
13	CG120-01L	FIN CRV LT 22L	3	
14	CG120-01R	FIN CRV RT 22L	3	
15	CG234-01	KEY 14 X 9 X 2IN L	1	
16	CH140-01	SPACER .44ID X .88OD X .31L	2	
17	N21M-08	NUT FLG M8 C8 YZD	24	
18	N21M-12	NUT FLG M12 C8 YZD	5	
19	N31M-10	NUT JAM M10 C8 YZD	1	
20	RP302	BUSHING TAPER SK 45mm ID	1	
21	RP303	SHEAVE 3B 8.0 PD SK	1	

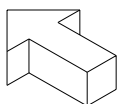
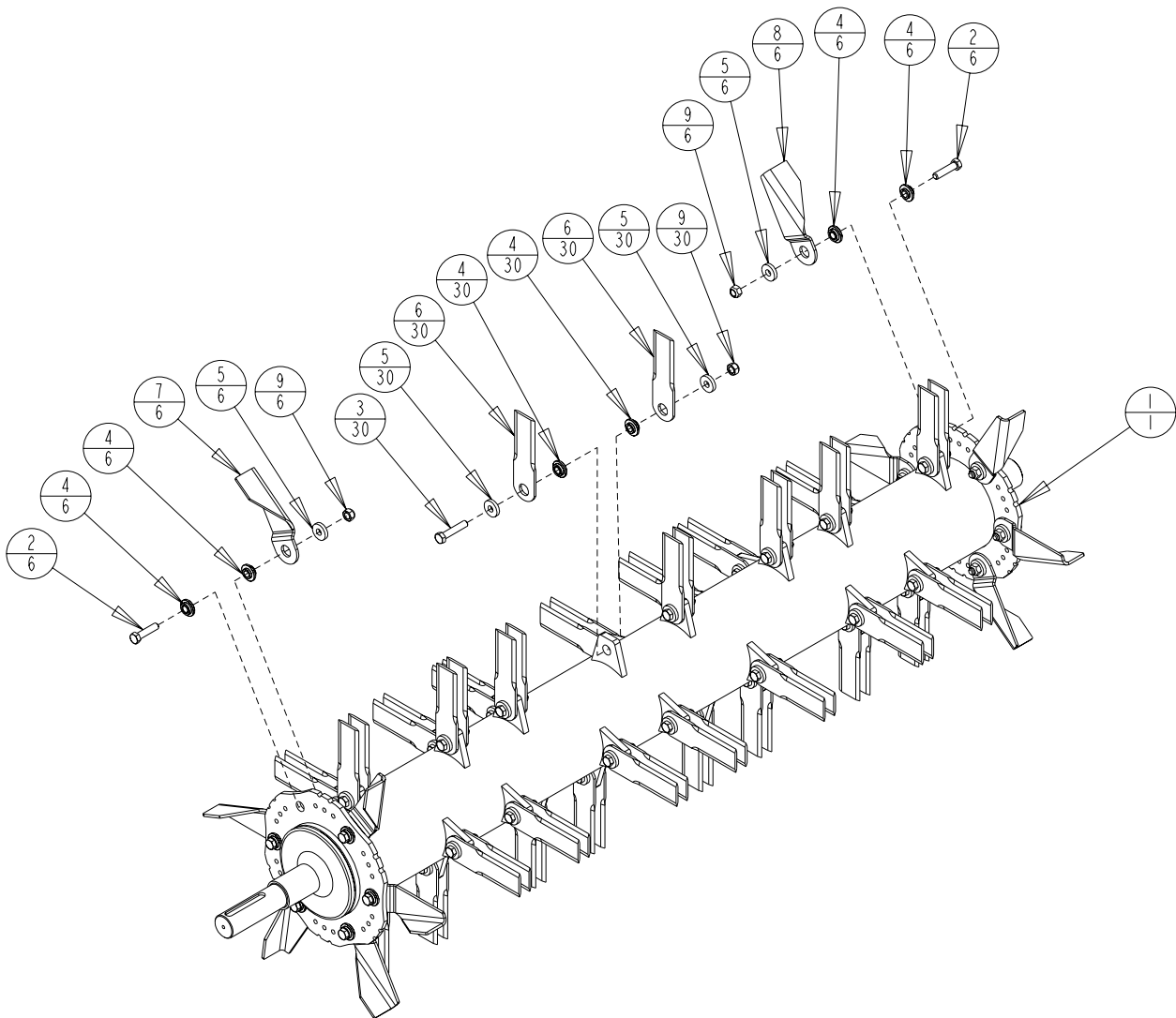
CHOPPER
WTS ROTOR ASSEMBLY

Page:MC-63-303.01
Date:31JAN07

Serial No Range From:
RM11688

Serial No Range To:
PRESENT

KEY: 



1600107C

Indicate implement serial number with any parts order _____

WTS Rotor Assembly**PAGE: MC-63-303.01**

ITEM NO.	PART NO.	DESCRIPTION	QTY	NOTE
1	CD252W	ROTOR MAV FG 66W JD WTS F SPC	1	
2	B12M-1250	BOLT HEX M12X50 C10.9 YZD	12	
3	B12M-1260	BOLT HEX M12X60 C10.9 YZD	30	
4	HA553	BUSHING .885 BD .750 LD .485 ID	84	
5	HA555	WASHER ROTOR .485ID 1.25OD	72	
6	HA650	BLADE STR MAV	60	
7	HA570L	BLADE FAN 2 INCH LT	6	
8	HA570R	BLADE FAN RT 2 IN	6	
9	N42M-12	NUT LOCK STL M12 C10 YZD	42	