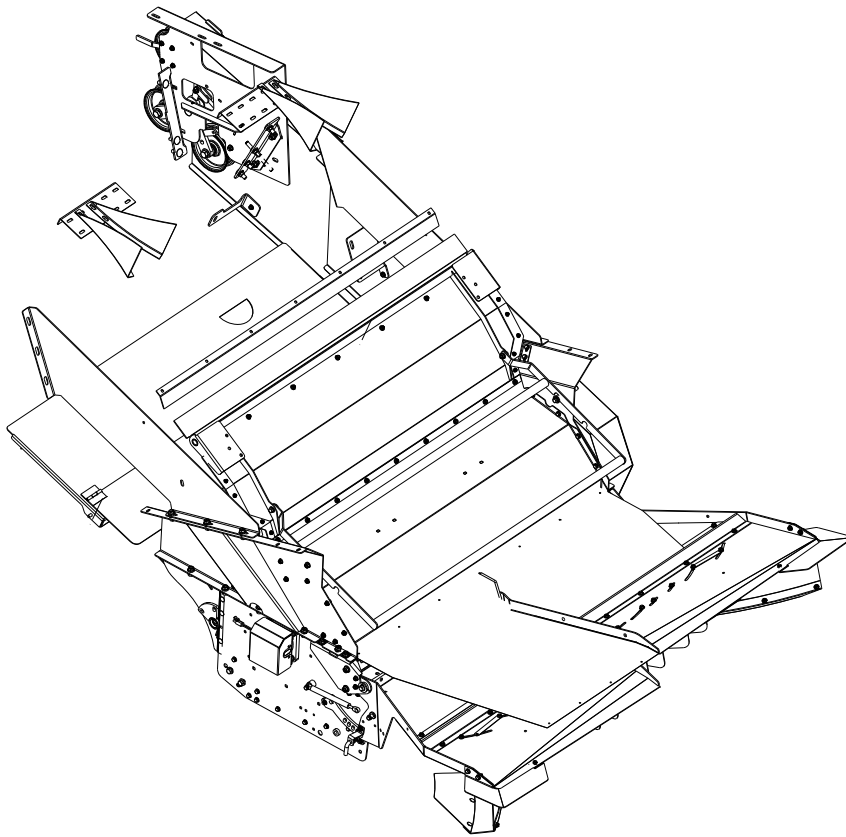
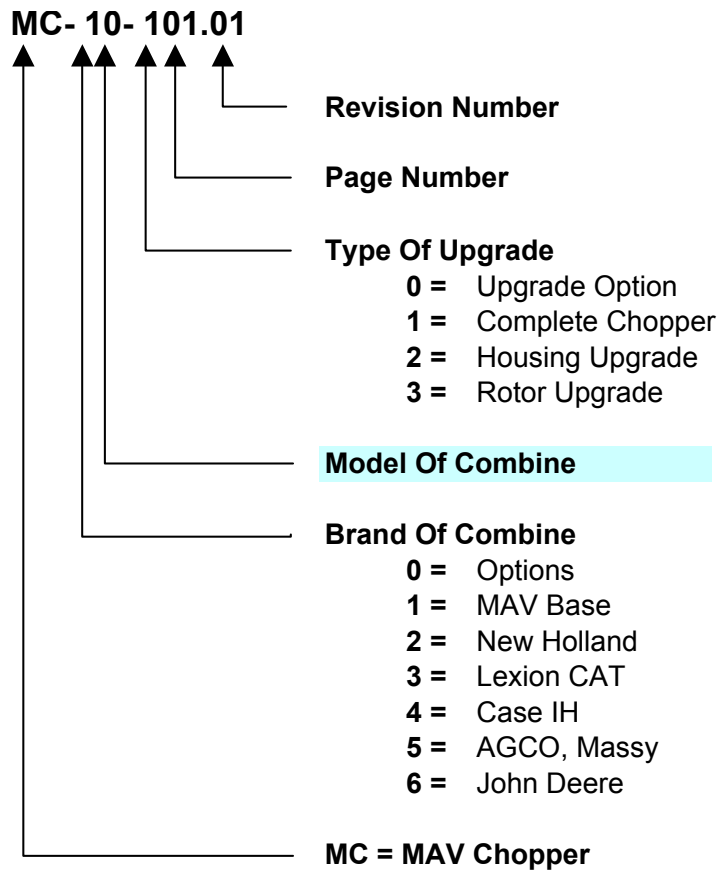


CaseIH 7088 Rotary
MAV 200
Parts Manual



Parts Pages Documentation:

Parts Pages Suffixes



Model Of Combine (New Holland)

- 1 = TR
- 2 = TX
- 3 = CR
- 4 = CX

Model Of Combine (Lexion CAT)

- 1 = MAV 400 Straw Only
- 2 = MAV 410 Straw + Chaff

Model Of Combine (Case)

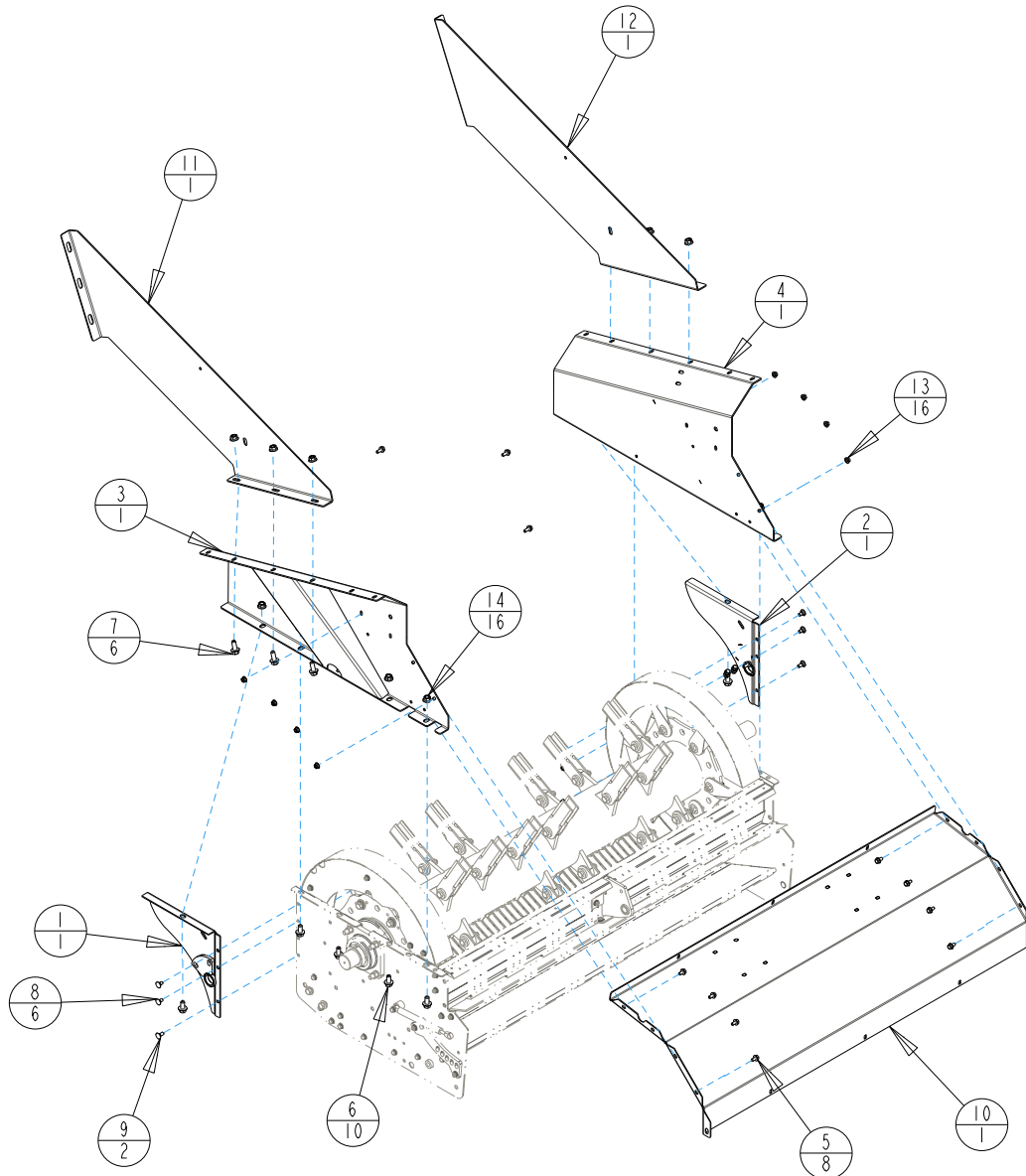
- 1 = 2366, 2388
- 2 = 7010, 8010

Model Of Combine (AGCO, Massy)

- 1 = 8000
- 2 = 9000, 9895
- 3 = 8680

Model Of Combine (John Deere)

- 1 = 9500s, 9600s CTS II
- 2 = STS
- 3 = WTS



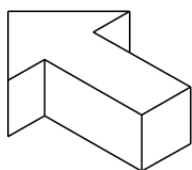
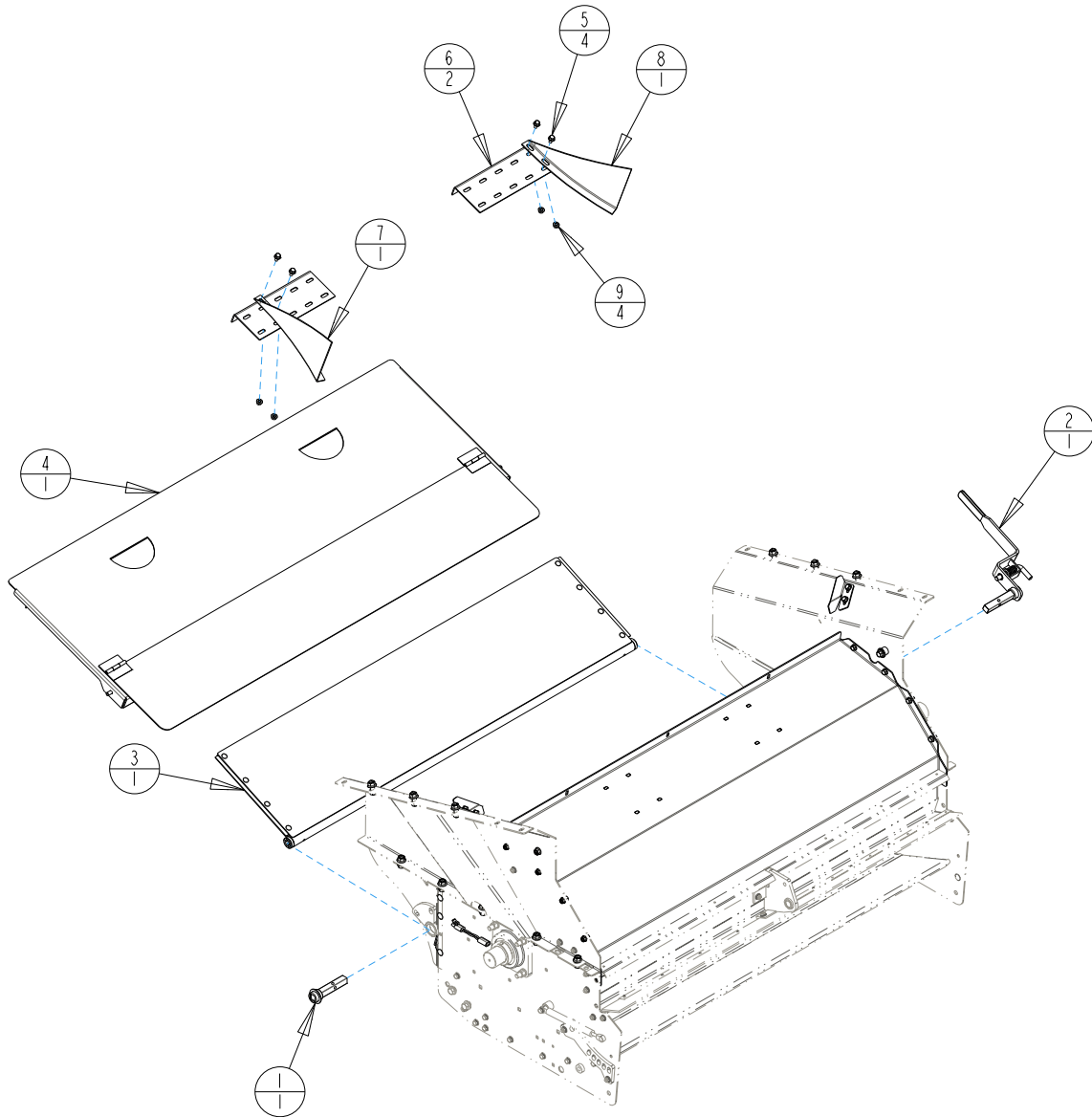
ITEM NO.	PART NO.	DESCRIPTION	QTY	NOTE
1	CS222BL	PANEL CHOPPER DOOR LT - Black	1	
2	CS222BR	PANEL CHOPPER DOOR RT - Black	1	
3	CS234BL	7088 SIDEWALL LT - Black	1	
4	CS234BR	SIDEWALL RT 7088 - Black	1	
5	B21M-0816	BOLT FLG M8X16 C8.8 YZD	8	
6	B21M-1225	BOLT FLG M12X25 C8.8 YZD	10	
7	B21M-1230	BOLT FLG M12X30 C8.8 YZD	6	
8	B31M-0816	BOLT RH M8X16 C8.8 YZD	6	
9	B31M-0820	BOLT RH M8X20 C8.8 YZD	2	
10	CH111B	HOOD CHOPPER 55W - Black	1	
11	CS223BL	SIDEWALL SUPPORT 7088 LT - Black	1	
12	CS223BR	SIDEWALL SUPPORT 7088 RT - Black	1	
13	N21M-08	NUT FLG M8 C8 YZD	16	
14	N21M-12	NUT FLG M12 C8 YZD	16	

MAV Chopper
Case IH 7088 Sieve Extension, Chaff Door and Internal Fins

Page:MC-43-I04.00
Date:30-Jan-2015

Serial No Range From:
18000

Serial No Range To:
Present



1600079

Indicate implement serial number with any parts order _____

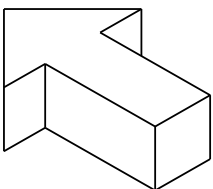
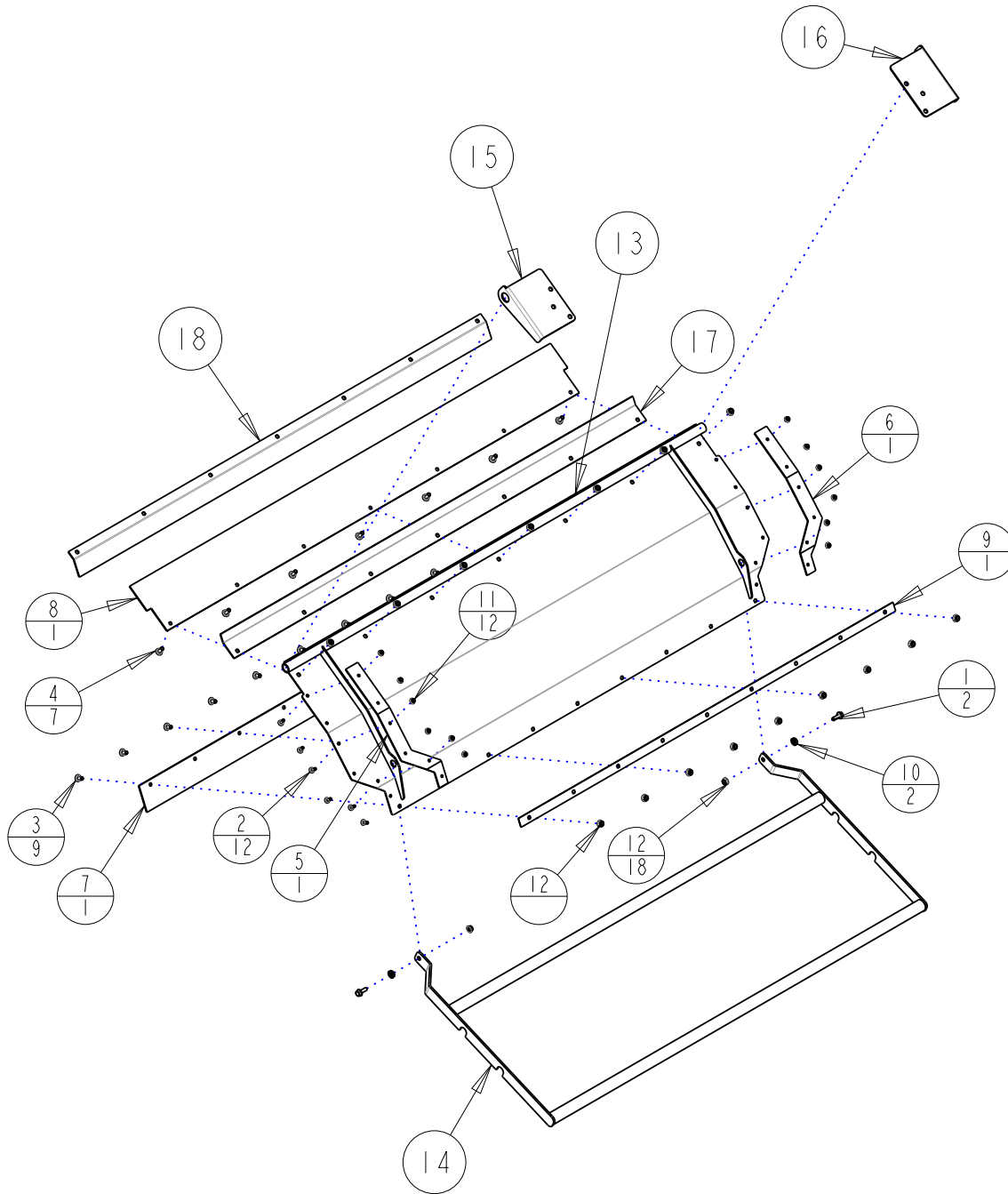
ITEM NO.	PART NO.	DESCRIPTION	QTY	NOTE
1	CG131Z	PIVOT PIN CHOPPER DOOR - Zinkcoated	1	
2	CG245BA	HANDLE ADJ ASSY 13 5/8L - Black	1	
3	CS221BA	DOOR CHOPPER ASSY 55W 12L - Black	1	
4	CS224BA	PAN SIEVE EXT - Black	1	
5	B21M-0816	BOLT FLG M8X16 C8.8 YZD	4	
6	CS153B	INTERNAL BAFFLE 7010/8010 - Black	2	
7	CS154BL	FIN INTERNAL STRAW DEFLECT RT - Black	1	
8	CS154BR	FIN INTERNAL STRAW DEFLECT LT - Black	1	
9	N21M-08	NUT FLG M8 C8 YZD	4	

MAV Chopper
Case IH 7088 Top Straw Door

Page:MC-43-106.00
Date:07-APR-2022

Serial No Range From:
18000

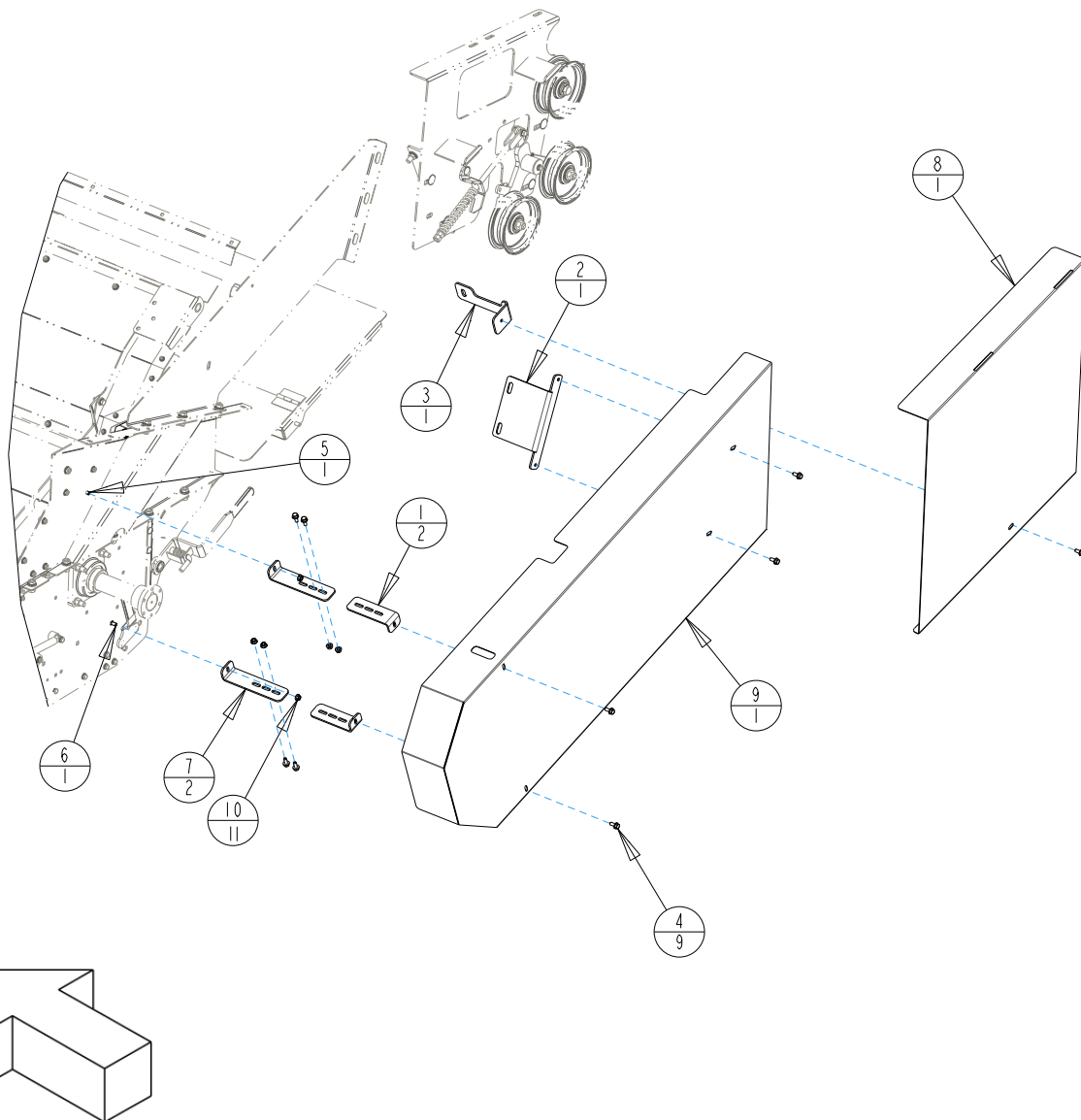
Serial No Range To:
Present



1600080

Indicate implement serial number with any parts order

ITEM NO.	PART NO.	DESCRIPTION	QTY	NOTE
1	B21M-0825	BOLT FLG M8X25 C8.8 YZD	2	
2	B31M-0616	BOLT RH M6X16 C8.8 YZD Short Neck	12	
3	B31M-0816	BOLT RH M8x16 C8.8 YZD Short Neck	9	
4	B31M-0820	BOLT RH M8x20 C8.8 YZD Short Neck	7	
5	CS336-01L	BELT CASE 88 SERIES DOOR	1	
6	CS336-01R	BELT CASE 88 SERIES DOOR	1	
7	CS337-01	BELT BTM STR DOOR SEAL	1	
8	CS339-01	BELT UPPER STR DOOR	1	
9	CS341-01	STRAP BTM DOOR SEAL	1	
10	HA110	BUSHING HA110	2	
11	N21M-06	NUT FLG M6 C8 YZD Iso4161	12	
12	N21M-08	NUT FLG M8 C8 YZD Iso4161	18	
13	CS220B	UPPER STRAW DOOR - BLACK	1	
14	CS225B	ADJUST ARM STRAW DOOR - BLACK	1	
15	CS233BL	DOOR MOUNT CASE 7088 - BLACK	1	
16	CS223BR	DOOR MOUNT CASE 7088 - BLACK	1	
17	CS338B	STRAP BELT DEFLECTOR BTM - BLACK	1	
18	CS423B	STRAP BELT DEFLECTOR TOP - BLACK	1	



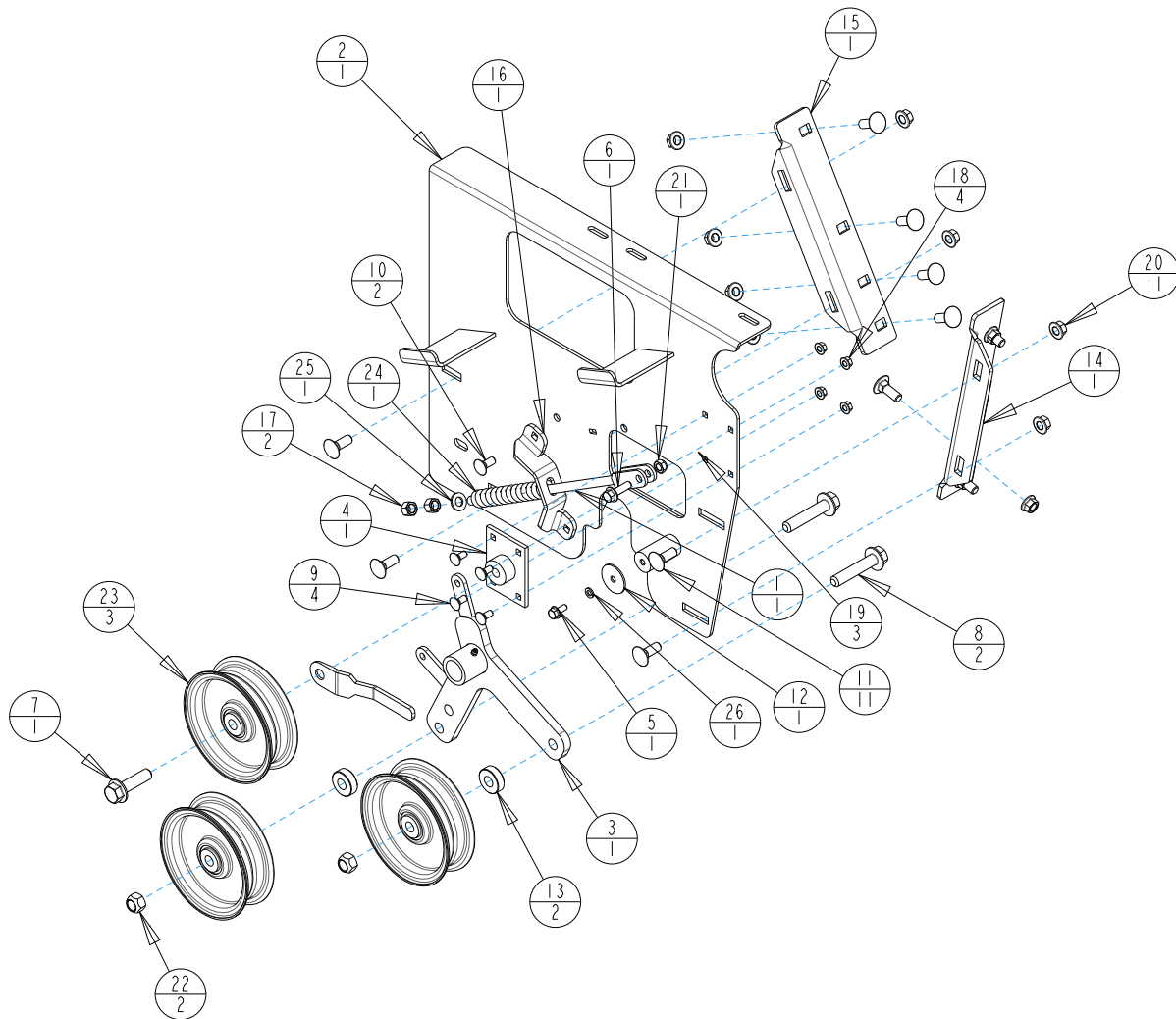
ITEM NO.	PART NO.	DESCRIPTION	QTY	NOTE
1	CH119B	BRACKET DRIVE SHIELD MT 6L - Black	2	
2	CS253B	Shield Mount 7088 - Black	1	
3	CS254B	Case IH 7088 Upper Shield Mount - Black	1	
4	B21M-0820	BOLT FLG M8X20 C8.8 YZD	9	
5	B31M-0816	BOLT RH M8X16 C8.8 YZD	1	
6	B31M-0820	BOLT RH M8X20 C8.8 YZD	1	
7	CG138B	BRACKET DRIVE SHEILD 8L - Black	2	
8	CS251B	7088 Upper Belt Shield - Black	1	
9	CS252B	SHIELD DRIVE 7088 - Black	1	
10	N21M-08	NUT FLG M8 C8 YZD	11	

MAV Chopper
Idler Plate Assembly

Page:MC-43-110.00
Date:30-Jan-2015

Serial No Range From:
18000

Serial No Range To:
Present



1600083

Indicate implement serial number with any parts order _____

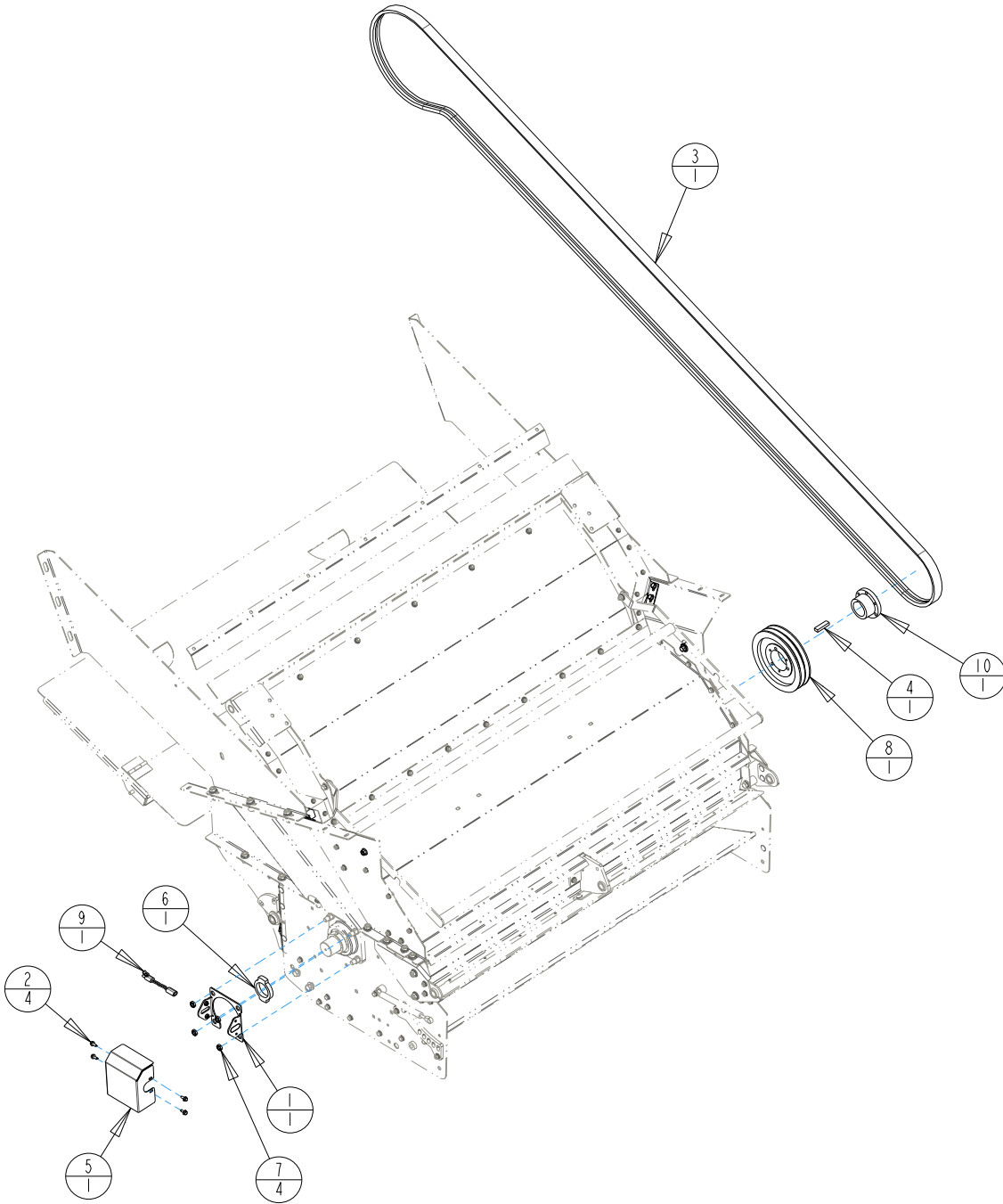
ITEM NO.	PART NO.	DESCRIPTION	QTY	NOTE
1	CS144Z	LINK TENSION 16L - Zinkcoated	1	
2	CS246B	PLATE IDLER ASSY - Black	1	
3	CS247B	IDLER ARM 7088 - Black	1	
4	CS406B	BRACKET IDLER MT - Black	1	
5	B21M-0820	BOLT FLG M8X20 C8.8 YZD	1	
6	B21M-1035	BOLT FLG M10X35 C8.8 YZD	1	
7	B21M-1660	BOLT FLG M16X60 C8.8 YZD	1	
8	B21M-1680	BOLT FLG M16X80 C8.8 YZD	2	
9	B31M-0820	BOLT RH M8X20 C8.8 YZD	4	
10	B31M-1025	BOLT RH M10X25 C8.8 YZD	2	
11	B31M-1235	BOLT RH M12X35 C8.8 YZD	11	
12	CD133-01	WASHER .313ID X 1.75OD X 12 GA	1	
13	CH134-01	SPACER IDLER PULLEY	2	
14	CS248B	PUMP MOUNT BRACKET - Black	1	
15	CS250B	PUMP MOUNT BRACKET - Black	1	
16	CS427B	TAB SPRING MOUNT - Black	1	
17	N11M-12	NUT HEX M12 C8 YZD	2	
18	N21M-08	NUT FLG M8 C8 YZD	4	
19	N21M-10	NUT FLG M10 C8 YZD	3	
20	N21M-12	NUT FLG M12 C8 YZD	11	
21	N41M-10	NUT LOCK STL M10 C8 YZD	1	
22	N41M-16	NUT LOCK STL M16 C8 YZD	2	
23	RP135	IDLER 6PD 1.63W .630ID	3	
24	RP226	SPRING-C .218 WR 1.00 OD 6.5L	1	
25	W11M-12	WASHER FLAT M12X25.4X2.8 YZD	1	
26	W21M-08	WASHER HELICAL LOCK M8	1	

MAV Chopper
Drive Components

Page:MC-43-112.00
Date:2-Feb-2015

Serial No Range From:
18000

Serial No Range To:
Present



1600084

Indicate implement serial number with any parts order

CASE IH 7088 Drive Components**PAGE: MC-43-112.00**

ITEM NO.	PART NO.	DESCRIPTION	QTY	NOTE
1	CH339B	MOUNT BRKT SPD SENSOR - Black	1	
2	B21M-0616	BOLT FLG M6X16 C8.8 YZD	4	
3	BE2B300K	DRIVE BELT 2B X 300 L Kevlar	1	BEATER DRIVE
3	BE2B235K	DRIVE BELT 2B X 235 L Kevlar	1	WITH INTERNAL CHOPPER
4	CG234-01	KEY 14 X 9 X 2IN L	1	
5	CH340B	SHIELD SPEED SENSOR NH - Black	1	
6	CH370-01	SENSOR PICK-UP 2 LUG 50mm	1	
7	N31M-12	NUT JAM M12 C8 YZD	4	
8	RP182	SHEAVE 2B 8.0 PD SK	1	BEATER DRIVE
8	RP122	SHEAVE 2B 13.6 PD SK	1	WITH INTERNAL CHOPPER
9	RP234	CABLE ELECT 2W x 7FT 2 PIN PACKARD	1	
10	RP291	BUSHING TAPER SK 50mm ID	1	

MAV Base Chopper, Rotor and Tailboard from CG004-01

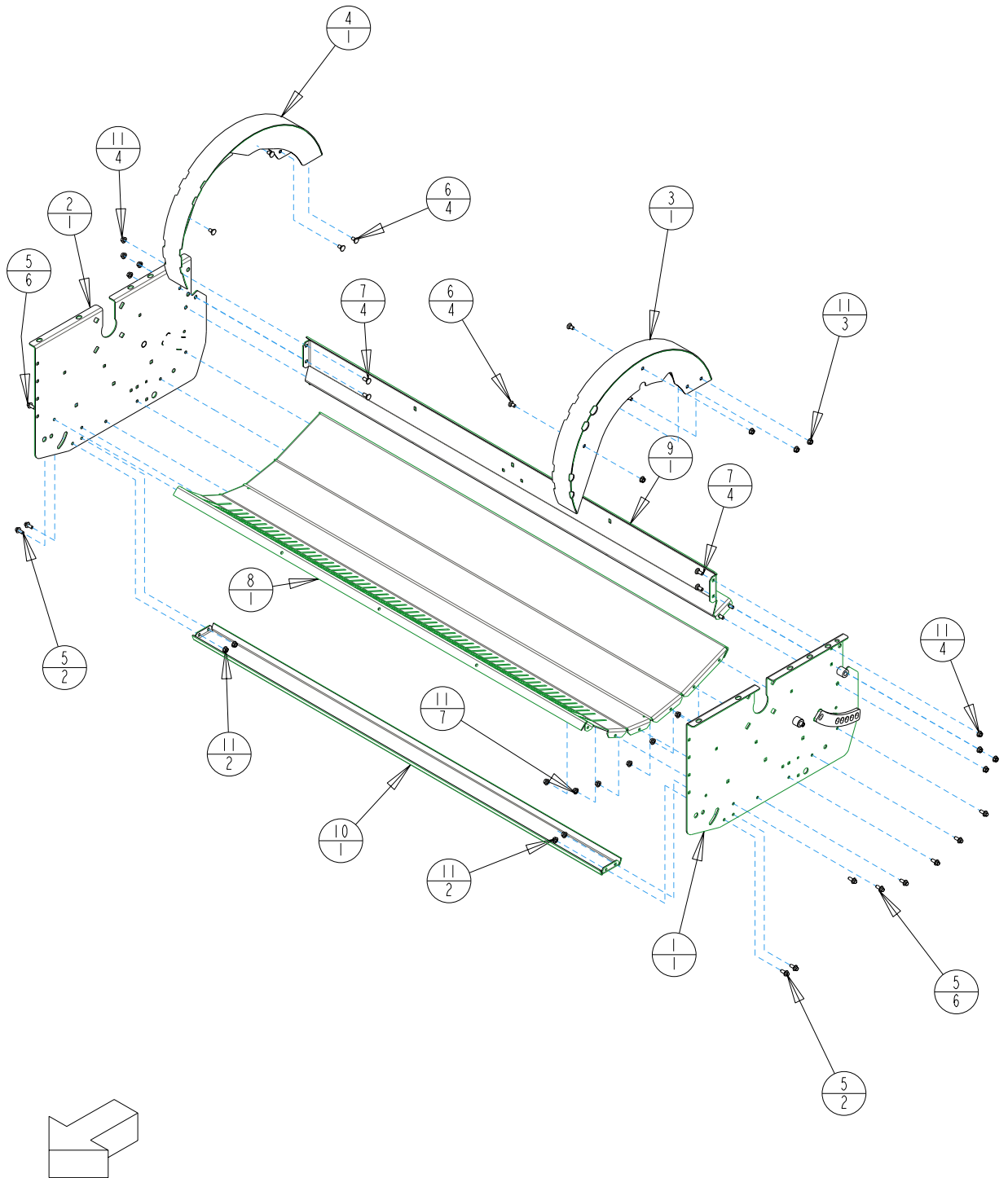
CHOPPER
CHOPPER BASE FULL FLR

Page:MC-II-101.01
Date:17SEPO4

Serial No Range From:
RM0001

Serial No Range To:
RM10000

KEY: 



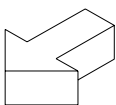
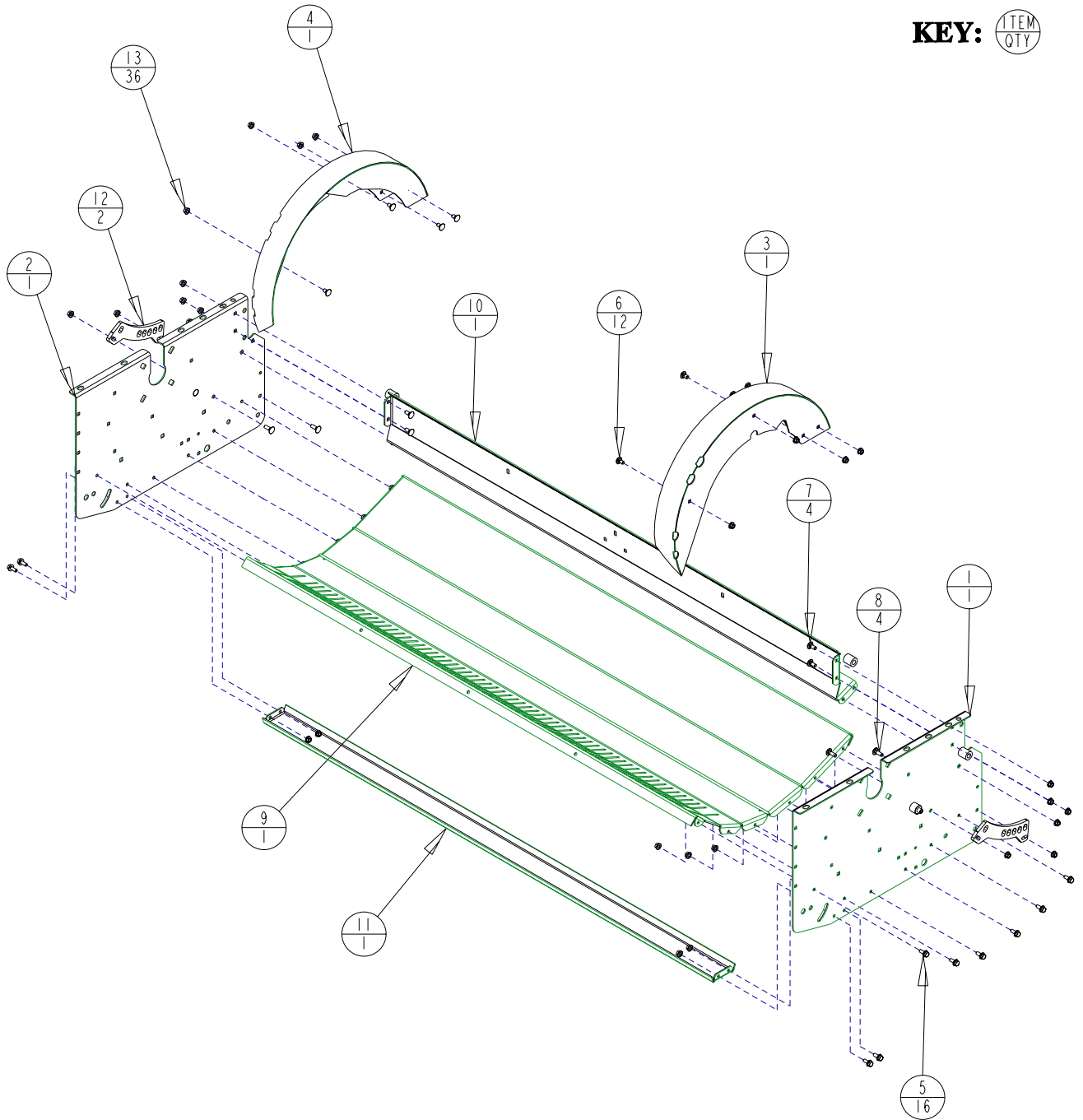
ITEM NO.	PART NO.	DESCRIPTION	QTY	NOTE
1	CG105WL	SIDEWALL BCHOP LT	1	Replace w/ CG300WL & CG147-01
2	CG105WR	SIDEWALL BCHOP RT	1	Replace w/ CG300WR & CG147-01
3	CG107WL	FAN SHROUD WLMT LT	1	Replace w/ CG223WL
4	CG107WR	FAN SHROUD WLMT RT	1	Replace w/ CG223WR
5	B21M-0820	BOLT FLG M8X20 G8.8 YZD	16	
6	B31M-0816	BOLT RD HD M8X16 G8.8 YZD	8	
7	B31M-0820	BOLT RD HD M8X20 G8.8 YZD	8	
8	CG108-01	FLOOR CHOPPER 67L	1	67 inch chopper Replace w/ CG240-01 & CG220-01
8	CG158-01	FLOOR CHOPPER 55L	1	55 inch chopper Replace w/ CG241-01 & CG221-01
9	CG109-01	CHOPPER PANEL 67L	1	67 inch chopper
9	CG159-01	CHOPPER PANEL 55L	1	55 inch chopper
10	CG110-01	GUARD KNIFE BAR 67L	1	67 inch chopper
10	CG160-01	GUARD KNIFE BAR 55L	1	55 inch chopper
11	N21M-08	NUT HEX FLG M8 G8.8 YZD	32	

CHOPPER
BASE FULL FLOOR

Page: MC-11-101.02
Date: 21AUG06

Serial No Range From:
RM-10000

Serial No Range To:
RM-11687



Indicate implement serial number with any parts order _____

BASE FULL FLOOR

ITEM NO.	PART NO.	DESCRIPTION	QTY	NOTE
1	CG146WL	SIDEWALL BCHOP LT ADJ	1	Replace w/ CG300WL
2	CG146WR	SIDEWALL BCHOP ADJ RT	1	Replace w/ CG300WR
3	CG187WL	SHROUD FAN LT BCHOP	1	Replace w/ CG223WL
4	CG187WR	SHROUD FAN RT BCHOP	1	Replace w/ CG223WR
5	B21M-0820	BOLT FLG M8X20 C8.8 YZD	16	
6	B31M-0816	BOLT RH M8X16 C8.8 YZD	12	
7	B31M-0820	BOLT RH M8X20 C8.8 YZD	4	
8	B31M-0825	BOLT RH M8X25 C8.8 YZD	4	
9	CG158-01	FLOOR CHOPPER 55L	1	55 inch chopper Replace w/ CG240-01 & CG220-01
9	CG108-01	FLOOR CHOPPER 67L	1	67 inch chopper Replace w/ CG241-01 & CG221-01
10	CG159-01	CHOPPER PANEL 55L	1	55 inch chopper
10	CG109-01	CHOPPER PANEL 67L	1	67 inch chopper
11	CG160-01	GUARD KNIFEBAR 55L	1	55 inch chopper
11	CG110-01	GUARD KNIFEBAR 67L	1	67 inch chopper
12	CG147-01	LUG TBOARD ADJ	2	
13	N21M-08	NUT FLG M8 C8 YZD	36	

CHOPPER
BASE FULL FLOOR

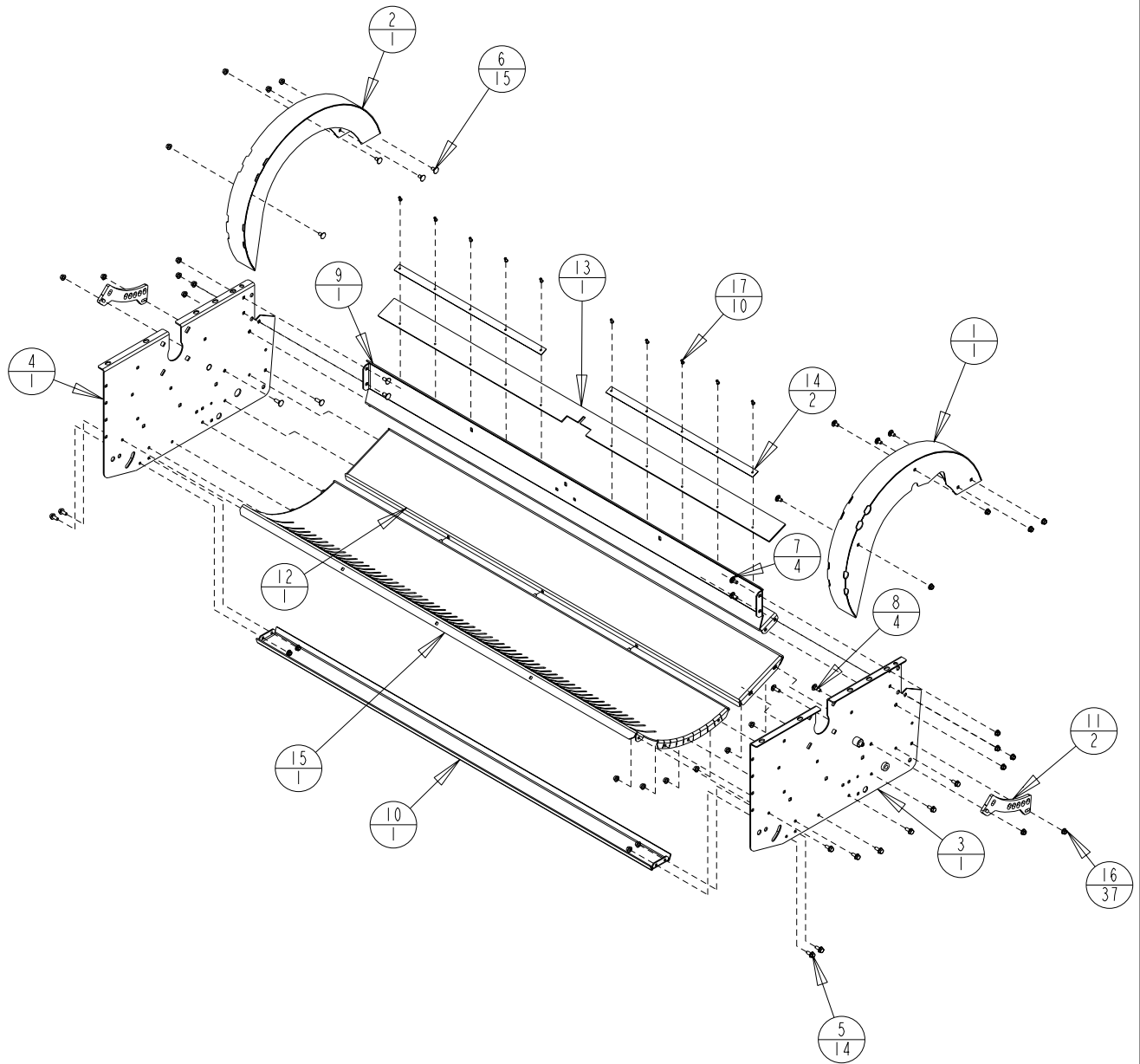
Page:MC-II-101.03
Date:10AUG06

Serial No Range From:
RM11688

Serial No Range To:
PRESENT

KEY:

ITEM
QTY



Indicate implement serial number with any parts order _____

ITEM NO.	PART NO.	DESCRIPTION	QTY	NOTE
1	CG223WL	SHROUD FAN LT BCHOP	1	
2	CG223WR	SHROUD FAN RT BCHOP	1	
3	CG300WL	SIDEWALL BCHOP LT	1	
4	CG300WR	SIDEWALL BCHOP RT	1	
5	B21M-0820	BOLT FLG M8X20 C8.8 YZD	14	
6	B31M-0816	BOLT RH M8X16 C8.8 YZD	15	
7	B31M-0820	BOLT RH M8X20 C8.8 YZD	4	
8	B31M-0825	BOLT RH M8X25 C8.8 YZD	4	
9	CG159-01	CHOPPER RR PANEL 55L	1	55 inch chopper
9	CG109-01	CHOPPER RR PANEL 67L	1	67 inch chopper
10	CG160-01	GUARD KNIFEBAR 55L	1	55 inch chopper
10	CG110-01	GUARD KNIFEBAR 67L	1	67 inch chopper
11	CG147-01	LUG TBOARD ADJ .375TK	2	
12	CG221-01	FLOOR CHOPPER REAR 55L	1	55 inch chopper
12	CG220-01	FLOOR CHOPPER REAR 67L	1	67 inch chopper
13	CG226-01	BELT TBOARD SEAL 55W	1	55 inch chopper
13	CG225-01	BELT TBOARD SEAL 67W	1	67 inch chopper
14	CG228-01	STRAP BELT SEAL 55W	2	55 inch chopper
14	CG227-01	STRAP BELT SEAL 67W	2	67 inch chopper
15	CG241-01	FLOOR CHOPPER 55W RLD	1	55 inch chopper
15	CG240-01	FLOOR CHOPPER 67W RLD	1	67 inch chopper
16	N21M-08	NUT FLG M8 C8 YZD	37	
17	R03-08	RIVET .188 X .375 SS	10	

CHOPPER
CHOPPER BASE CHAFF FLOOR

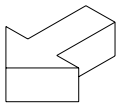
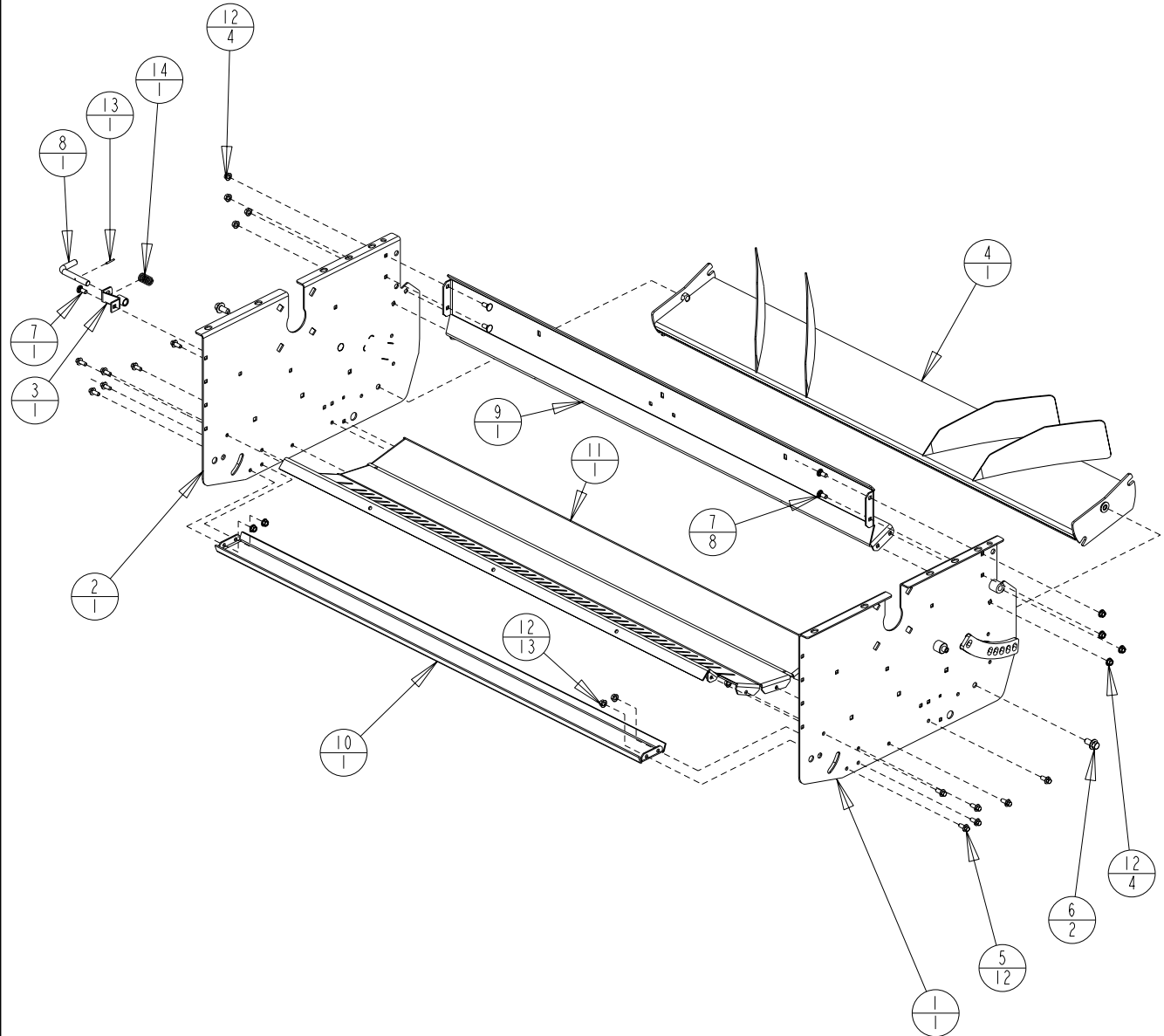
Page:MC-II-102.01
Date:20SEP04

Serial No Range From:
RM0001

Serial No Range To:
RM10000

KEY:

ITEM
QTY



1400002C

Indicate implement serial number with any parts order _____

ITEM NO.	PART NO.	DESCRIPTION	QTY	NOTE
1	CG105WL	PLATE END HOUSING LT	1	Replace w/ CG300WL & CG147-01
2	CG105WR	PLATE END HOUSING RT	1	Replace w/ CG300WR & CG147-01
3	CG112W	LOCK TAB TBOARD ADJ	1	
4	CG130W	CHAFFBOARD 67w	1	67 inch chopper Replace w/ CG311W
4	CG166W	CHAFFBOARD 55w	1	55 inch chopper Replace w/ CG312W
5	B21M-0820	BOLT FLG M8X20 G8.8 YZD	12	
6	B21M-1225	BOLT FLG M12X25 G8.8 YZD	2	
7	B31M-0820	BOLT RD HD M8X20 G8.8 YZD	9	
8	CG113-01	PIN TBOARD LATCH	1	
9	CG159-01	CHOPPER PANEL 55L	1	55 inch chopper
9	CG109-01	CHOPPER PANEL 67L	1	67 inch chopper
10	CG160-01	GUARD KNIFE BAR 55L	1	55 inch chopper
10	CG110-01	GUARD KNIFE BAR 67L	1	67 inch chopper
11	CG165-01	FLOOR CHOPPER 55L	1	55 inch chopper
11	CG115-01	FLOOR CHOPPER 67L	1	67 inch chopper
12	N21M-08	NUT HEX FLG M8 G8.8 YZD	21	
13	P11-0216	PIN ROLL .125X1 YZD	1	
14	RP110	SPRING-C .093 WR .786 OD 1.25	1	

CHOPPER
BASE CHAFF FLOOR

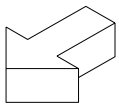
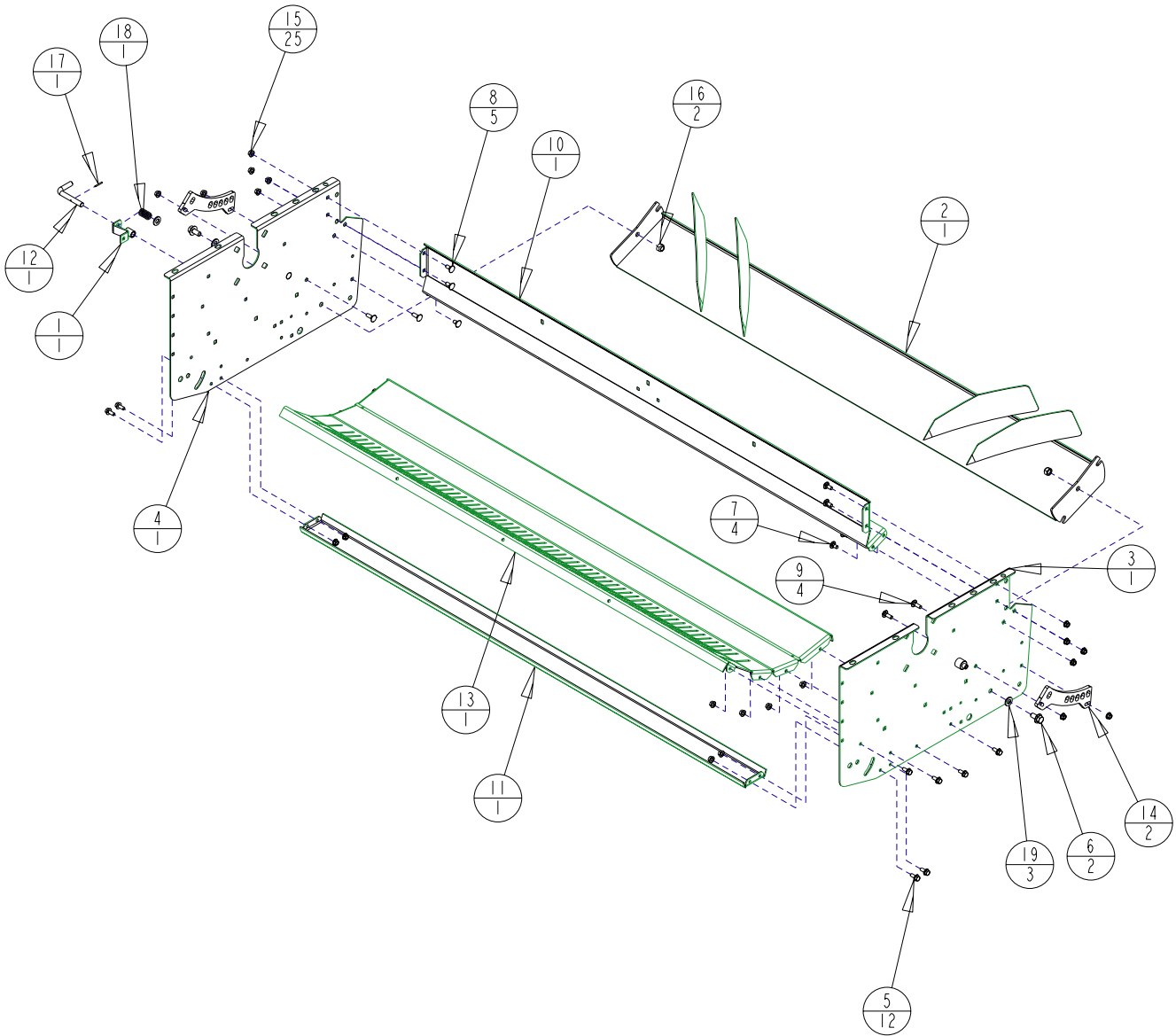
Page: MC-11-102.02
Date: 21AUG06

Serial No Range From:
RM10000

Serial No Range To:
RM11687

KEY:

ITEM
QTY



1500011C

Indicate implement serial number with any parts order _____

ITEM NO.	PART NO.	DESCRIPTION	QTY	NOTE
1	CG112W	LOCK TAB TBOARD ADJ	1	
2	CG130W	CHAFFBOARD 67w	1	67 inch chopper Replace w/CG311W
2	CG166W	CHAFFBOARD 55w	1	55 inch chopper Replace w/ CG312W
3	CG146WL	SIDEWALL BCHOP LT ADJ	1	Replace w/ CG300WL
4	CG146WR	SIDEWALL BCHOP ADJ RT	1	Replace w/ CG300WR
5	B21M-0820	BOLT FLG M8X20 C8.8 YZD	12	
6	B21M-1225	BOLT FLG M12X25 C8.8 YZD	2	
7	B31M-0816	BOLT RH M8X16 C8.8 YZD	4	
8	B31M-0820	BOLT RH M8X20 C8.8 YZD	5	
9	B31M-0825	BOLT RH M8X25 C8.8 YZD	4	
10	CG109-01	CHOPPER RR PANEL 67L	1	
11	CG110-01	GUARD KNIFE BAR 67L	1	67 inch chopper
11	CG160-01	GUARD KNIFE BAR 55L	1	55 inch chopper
12	CG113-01	PIN TBOARD LATCH	1	
13	CG115-01	FLOOR CHOPPER 67L	1	67 inch chopper Replace w/CG240-01
13	CG165-01	FLOOR CHOPPER 55L	1	55 inch chopper Replace w/CG241-01
14	CG147-01	LUG TBOARD ADJ .375TK	2	
15	N21M-08	NUT FLG M8 C8 YZD	25	
16	N41M-12	NUT LOCK STL M12 C8 YZD	2	
17	P11-0216	PIN ROLL .125X1 YZD	1	
18	RP110	SPRING-C .093 WR .786 OD 1.25	1	
19	W11M-12	WASHER FLAT M12X25.4X2.8 YZD	3	

CHOPPER
BASE CHAFF FLOOR

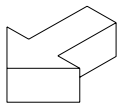
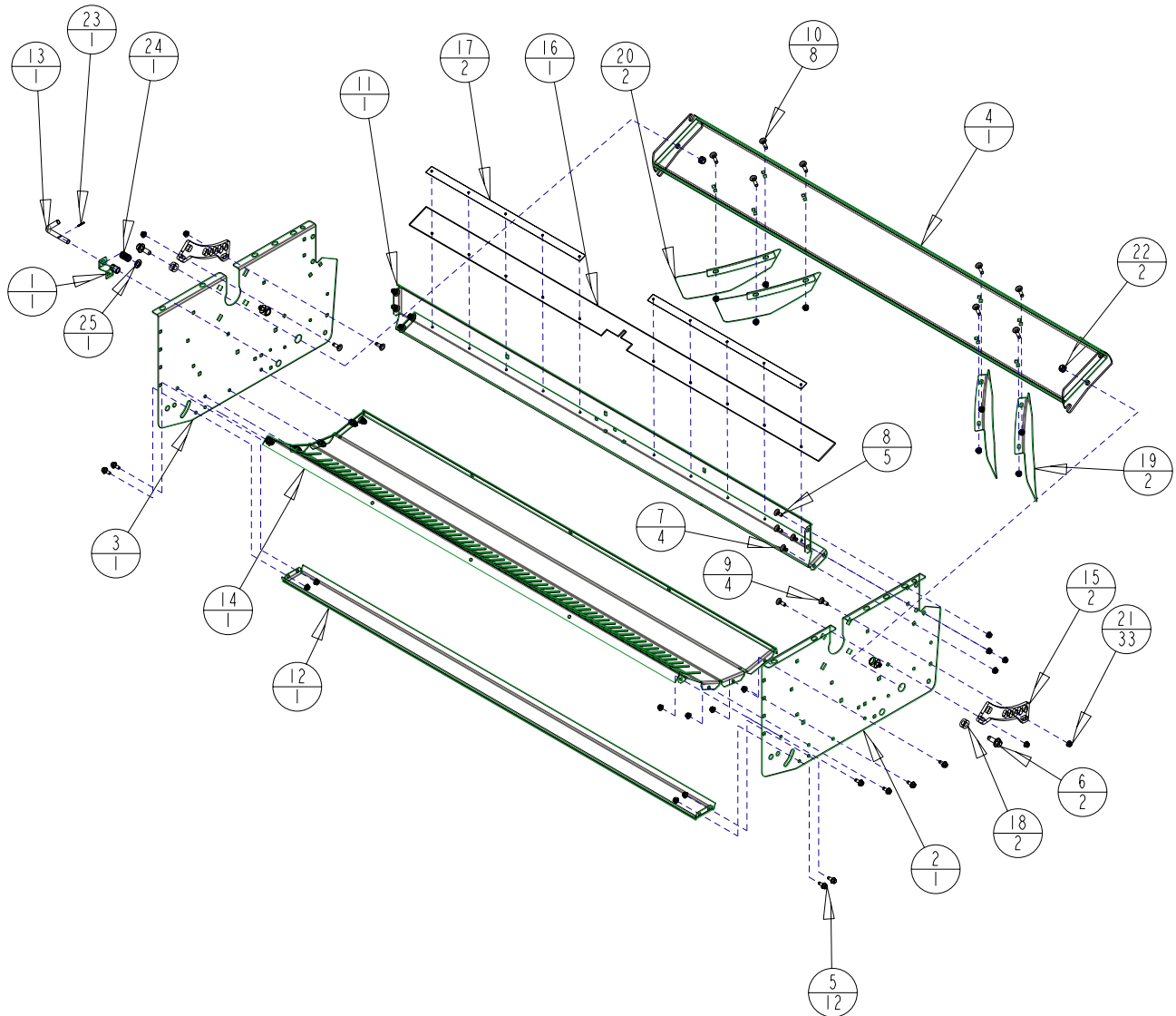
Page: MC-11-102.03
Date: 14AUG06

Serial No Range From:
RM-11688

Serial No Range To:
PRESENT

KEY:

ITEM
QTY



1600002C

Indicate implement serial number with any parts order _____

BASE CHAFF FLOOR

PAGE: MC-11-102.03

ITEM NO.	PART NO.	DESCRIPTION	QTY	NOTE
1	CG112W	LOCK TAB TBOARD ADJ	1	
2	CG300WL	SIDEWALL BCHOP LT	1	
3	CG300WR	SIDEWALL BCHOP RT	1	
4	CG311W	BOARD CHAFF WIDE	1	67 inch chopper
4	CG312W	BOARD CHAFF NARROW	1	55 inch chopper
5	B21M-0820	BOLT FLG M8X20 C8.8 YZD	12	
6	B21M-1235	BOLT FLG M12X35 C8.8 YZD	2	
7	B31M-0816	BOLT RH M8X16 C8.8 YZD	4	
8	B31M-0820	BOLT RH M8X20 C8.8 YZD	5	
9	B31M-0825	BOLT RH M8X25 C8.8 YZD	4	
10	B31M-0835	BOLT RH M8X35 C8.8 YZD	8	
11	CG109-01	CHOPPER RR PANEL 67L	1	67 inch chopper
11	CG159-01	CHOPPER RR PANEL 55L	1	55 inch chopper
12	CG110-01	GUARD KNIFE BAR 67L	1	67 inch chopper
12	CG160-01	GUARD KNIFE BAR 55L	1	55 inch chopper
13	CG113-01	PIN TBOARD LATCH	1	
14	CG115-01	FLOOR CHOPPER 67L	1	67 inch chopper Replace w/ CG240-01
14	CG165-01	FLOOR CHOPPER 55L	1	55 inch chopper Replace w/ CG241-01
15	CG147-01	LUG TBOARD ADJ .375TK	2	
16	CG225-01	BELT TBOARD SEAL 67W	1	67 inch chopper
16	CG226-01	BELT TBOARD SEAL 55W	1	55 inch chopper
17	CG227-01	STRAP BELT SEAL 67W	2	67 inch chopper
17	CG228-01	STRAP BELT SEAL 55W	2	55 inch chopper
18	CG300-02	BUSHING CHAFF FLR PIVOT	2	
19	CG313-01L	FIN CHAFF PAN LT	2	
20	CG313-01R	FIN CHAFF BOARD RT	2	
21	N21M-08	NUT FLG M8 C8 YZD	33	
22	N41M-12	NUT LOCK STL M12 C8 YZD	2	
23	P11-0216	PIN ROLL .125X1 YZD	1	
24	RP110	SPRING-C .093 WR .786 OD 1.25 L	1	
25	W11M-12	WASHER FLAT M12X25.4X2.8 YZD	1	

CHOPPER BASE ROTOR ASSEMBLY

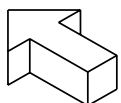
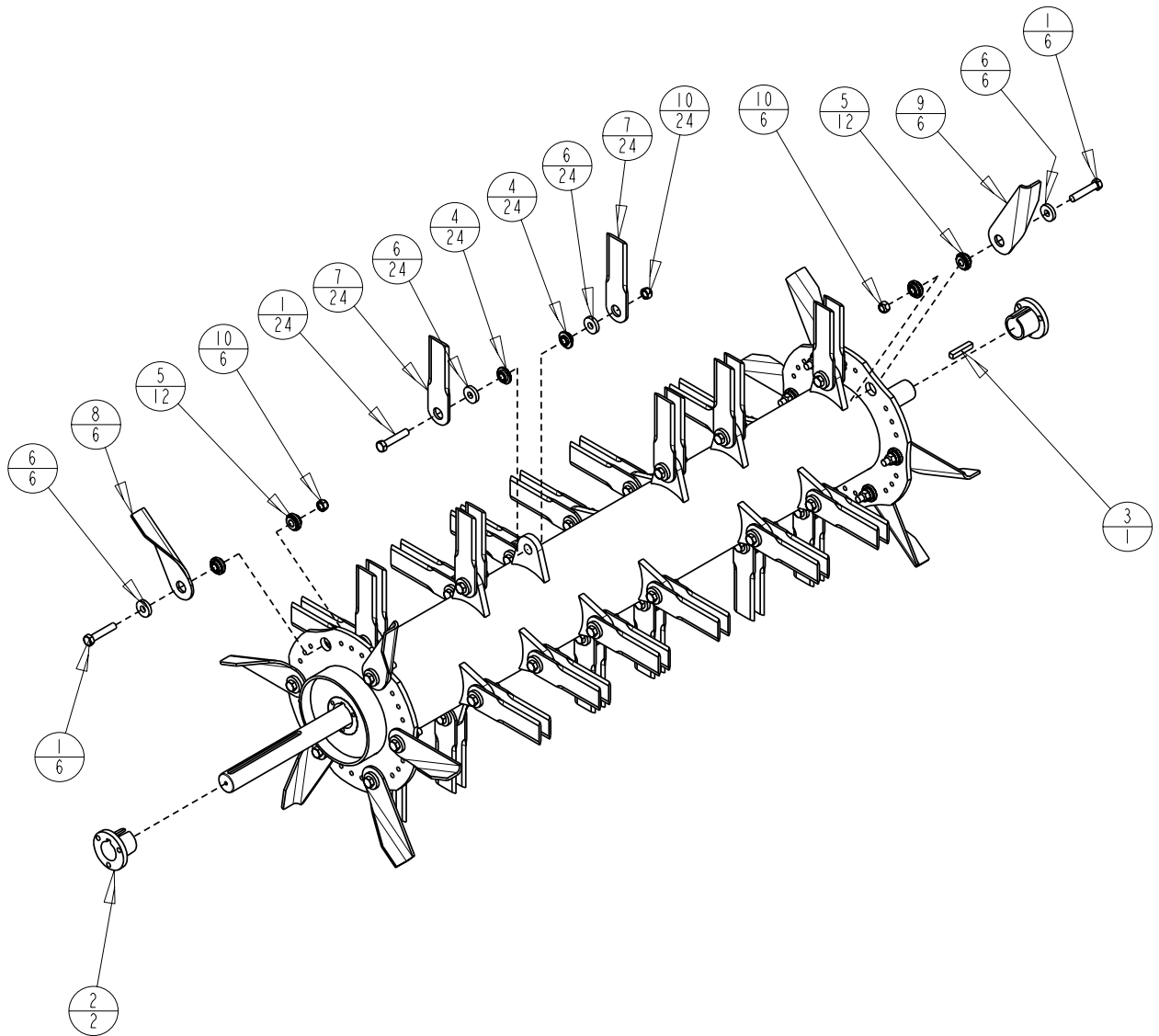
Page: MC-10-103.01
Date: 17SEP04

Serial No Range From:
MR0300

Serial No Range To:
MR1708

KEY:

ITEM
QTY



1400003C

Indicate implement serial number with any parts order _____

BASE ROTOR ASSEMBLY

PAGE: MC-11-103.01

ITEM NO.	PART NO.	DESCRIPTION	QTY	NOTE
1	B12M-1260	BOLT HEX M12X60 G10.9 YZD	42	67 inch chopper
1	B12M-1260	BOLT HEX M12X60 G10.9 YZD	36	55 inch chopper
2	BU101	BUSHING TAPER 1.5 ID	2	
3	CG171	KEY SQ .375 X 2	1	
4	HA553	BUSHING MAV	60	67 inch chopper
4	HA553	BUSHING MAV	48	55 inch chopper
5	HA554	BUSHING MAV FAN	24	
6	HA555	WASHER ROTOR MAV	72	67 inch chopper
6	HA555	WASHER ROTOR MAV	60	55 inch chopper
7	HA650	BLADE STR MAV	60	67 inch chopper (Order 8 X BK650)
7	HA650C	BLADE STR CARBIDE MAV	60	67 inch chopper (Order 8 X BK650C)
7	HA650	BLADE STR MAV	48	55 inch chopper (Order 6 X BK650)
7	HA650C	BLADE STR CARBIDE MAV	48	55 inch chopper (Order 6 X BK650C)
8	HA550L	BLADE FAN MAV LT	6	
9	HA550R	BLADE FAN MAV RT	6	
10	N42M-12	NUT LOCK M12 G10.9 YZD	42	67 inch chopper
10	N42M-12	NUT LOCK M12 G10.9 YZD	36	55 inch chopper

CHOPPER
BASE ROTOR ASSEMBLY

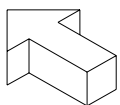
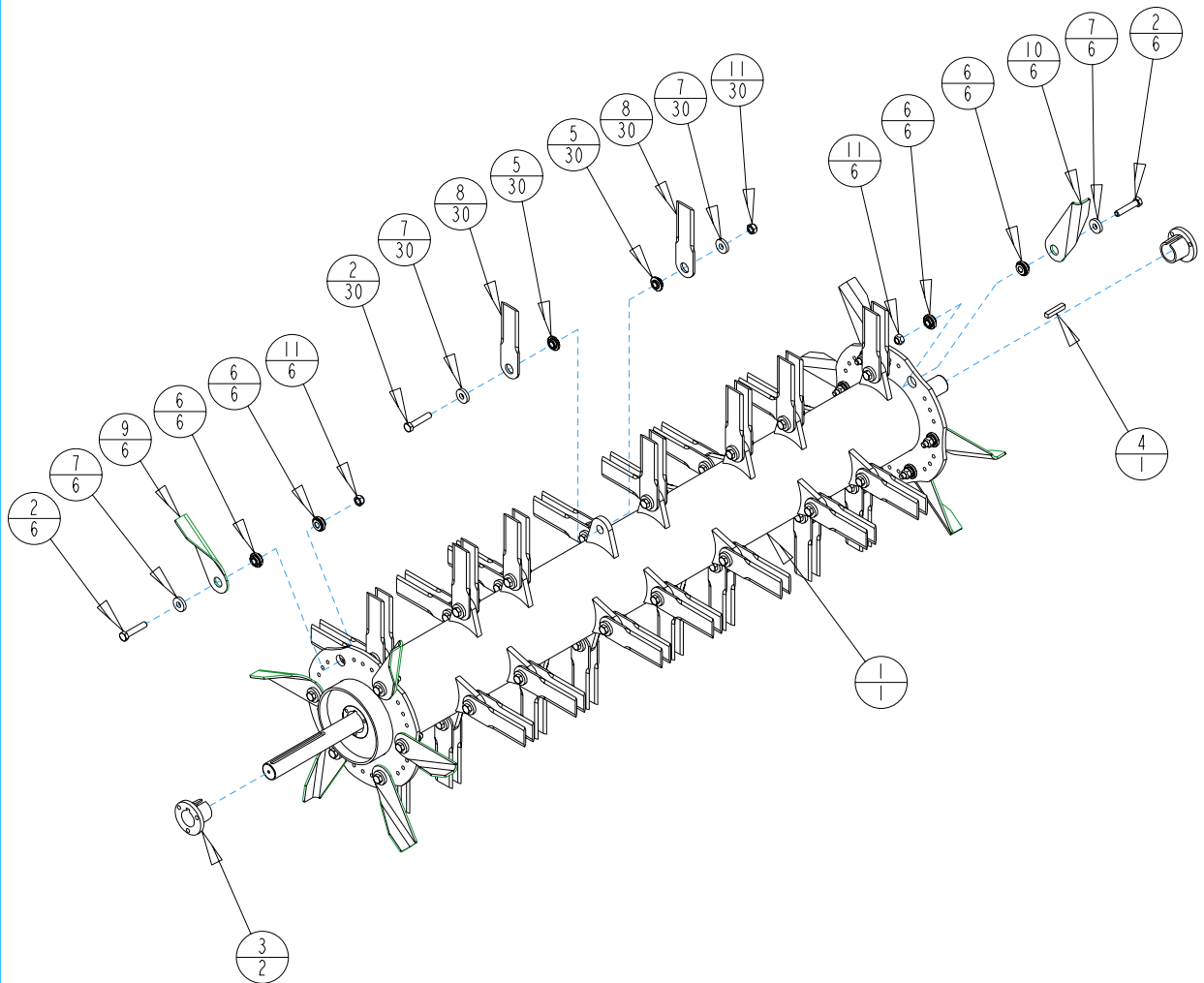
Page: MC-11-103.02
Date: 22AUG06

Serial No Range From:
MR01709

Serial No Range To:
MR11382

KEY:

ITEM
QTY



BASE ROTOR ASSEMBLY

ITEM NO.	PART NO.	DESCRIPTION	QTY	NOTE
1	CG100A	ROTOR MAV 67W RMC	1	67 inch chopper
1	CG150A	ROTOR MAV 55W RMC	1	55 inch chopper
2	B12M-1260	BOLT HEX M12X60 C10.9 YZD	42	
2	B12M-1260	BOLT HEX M12X60 C10.9 YZD	36	
3	BU101	BUSHING TAPER 1.5 ID	2	
4	CG171	KEY SQ .375 X 2	1	
5	HA553	BUSHING .885 BD .750 LD .485 ID	60	67 inch chopper
5	HA553	BUSHING .885 BD .750 LD .485 ID	48	55 inch chopper
6	HA554	BUSHING .885 BD .985 LD .485 ID	24	REPLACED BY HA581
7	HA555	WASHER ROTOR .485ID 1.25OD	72	67 inch chopper
7	HA555	WASHER ROTOR .485ID 1.25OD	60	55 inch chopper
8	HA650	BLADE STR MAV	60	67 inch chopper (Order 8 X BK650)
8	HA650C	BLADE STR CARBIDE MAV	60	67 inch chopper (Order 8 X BK650C)
8	HA650	BLADE STR MAV	48	55 inch chopper (Order 6 X BK650)
8	HA650C	BLADE STR CARBIDE MAV	48	55 inch chopper (Order 6 X BK650C)
9	HA550L	BLADE FAN MAV LT NA	6	
10	HA550R	BLADE FAN MAV RT NA	6	
11	N42M-12	NUT LOCK STL M12 C10 YZD	42	67 inch chopper
11	N42M-12	NUT LOCK STL M12 C10 YZD	36	55 inch chopper

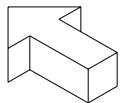
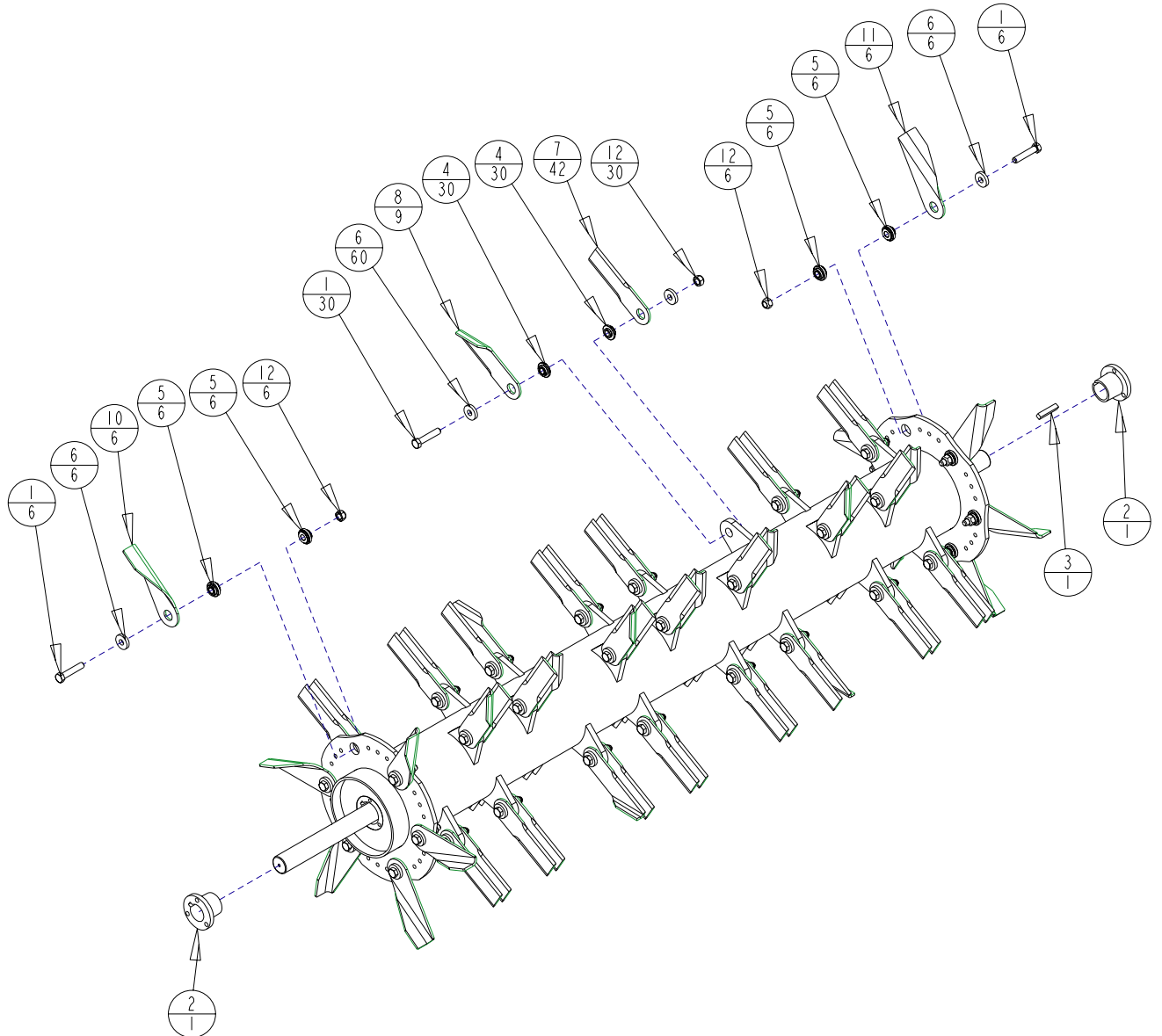
CHOPPER
BASE ROTOR ASSEMBLY

Page: MC-11-103.03
Date: 11AUG06

Serial No Range From:
MR-11383

Serial No Range To:
RM20999

KEY: 



1600003C

Indicate implement serial number with any parts order _____

BASE ROTOR ASSMEBLY

ITEM NO.	PART NO.	DESCRIPTION	QTY	NOTE
1	B12M-1260	BOLT HEX M12X60 C10.9 YZD	42	67 inch chopper
1	B12M-1260	BOLT HEX M12X60 C10.9 YZD	36	55 inch chopper
2	BU101	BUSHING TAPER 1.5 ID	2	
3	CG171	KEY SQ .375 X 2	1	
4	HA553	BUSHING .885 BD .750 LD .485 ID	60	67 inch chopper
4	HA553	BUSHING .885 BD .750 LD .485 ID	48	55 inch chopper
5	HA554	BUSHING .885 BD .985 LD .485 ID	24	REPLACED BY HA581
6	HA555	WASHER ROTOR .485ID 1.25OD	72	67 inch chopper
6	HA555	WASHER ROTOR .485ID 1.25OD	60	55 inch chopper
7	HA650	BLADE STR MAV	42	67 inch chopper (Order 6X BK650)
7	HA650	BLADE STR MAV	36	55 inch chopper (Order 5X BK650)
7	HA650C	BLADE STR CARBIDE MAV	42	67 inch chopper (Order 6X BK650C)
7	HA650C	BLADE STR CARBIDE MAV	36	55 inch chopper (Order 5X BK650C)
7	HA650	BLADE STR MAV	60	67 inch (STR Blades only)
7	HA650	BLADE STR MAV	48	55 inch (STR Blades only)
8	HA505L	BLADE PADDLE LT	9	67 inch chopper (Order 3X BK505L)
8	HA505LC	BLADE PADDLE LT CARBIDE	9	67 inch chopper (Order 3X BK505LC)
8	HA505L	BLADE PADDLE LT	6	55 inch chopper (Order 2X BK505R)
8	HA505LC	BLADE PADDLE LT CARBIDE	6	55 inch chopper (Order 2X BK505RC)
9	HA505R	BLADE PADDLE RT	9	67 inch chopper
9	HA505RC	BLADE PADDLE RT CARBIDE	9	67 inch chopper
9	HA505R	BLADE PADDLE RT	6	55 inch chopper
9	HA505RC	BLADE PADDLE RT CARBIDE	6	55 inch chopper
10	HA550L	BLADE FAN MAV LT NA	6	
11	HA550R	BLADE FAN MAV RT NA	6	
12	N42M-12	NUT LOCK STL M12 C10 YZD	42	67 inch chopper
12	N42M-12	NUT LOCK STL M12 C10 YZD	36	55 inch chopper

CHOPPER
BASE ROTOR ASSEMBLY

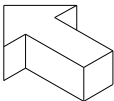
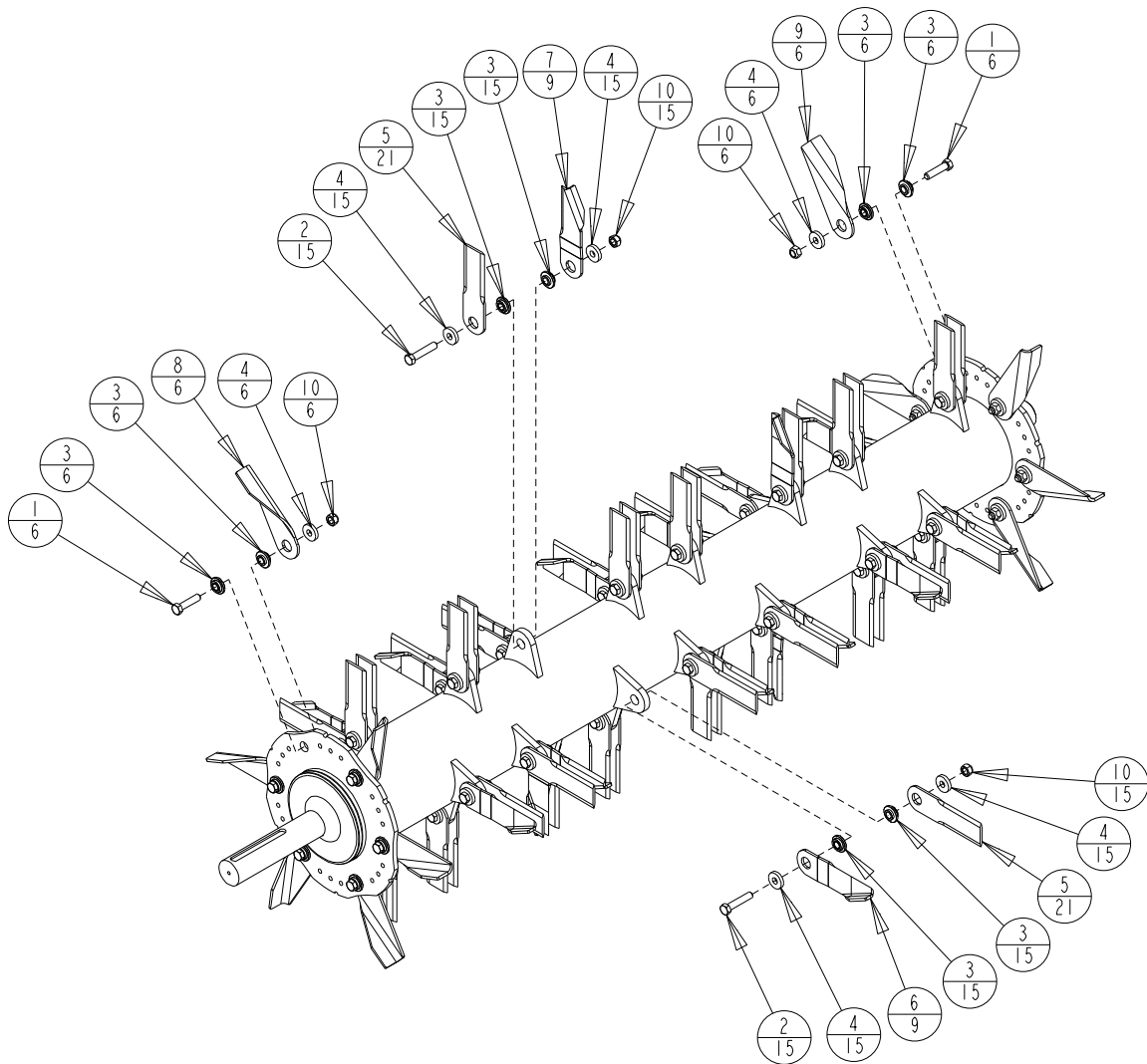
Page:MC-II-103.04
Date:31JAN11

Serial No Range From:
RM21000

Serial No Range To:
PRESENT

KEY:

ITEM
QTY



NOTE: Some models do not come with inner fan blades (HA505L+R)

BASE ROTER ASSEMBLY


ITEM NO.	PART NO.	DESCRIPTION	QTY	NOTE
1	B12M-1250	BOLT HEX M12X50 C10.9 YZD	12	
2	B12M-1260	BOLT HEX M12X60 C10.9 YZD	30	67 Inch Chopper
2	B12M-1260	BOLT HEX M12X60 C10.9 YZD	24	55 Inch Chopper
3	HA553	BUSHING .885 BD .750 LD .485 ID	84	67 Inch Chopper
3	HA553	BUSHING .885 BD .750 LD .485 ID	78	55 Inch Chopper
4	HA555	WASHER ROTOR .485ID 1.25OD	72	67 Inch Chopper
4	HA555	WASHER ROTOR .485ID 1.25OD	60	55 Inch Chopper
5	HA650	BLADE STR MAV	42	67 Inch Chopper (Order 6X BK650)
5	HA650	BLADE STR MAV	36	55 Inch Chopper (Order 5X BK650)
5	HA650C	BLADE STR MAV CARBIDE	42	67 Inch Chopper (Order 6X BK650C)
5	HA650C	BLADE STR MAV CARBIDE	36	55 Inch Chopper (Order 5X BK650C)
6	HA505LC	BLADE PADDLE LT CARBIDE	9	67 Inch Chopper (Order 3 BK505C)
6	HA505LC	BLADE PADDLE LT CARBIDE	6	55 Inch Chopper (Order 2X BK505C)
6	HA505L	BLADE PADDLE LT	9	67 Inch Chopper (Order 3 BK505)
6	HA505L	BLADE PADDLE LT	6	55 Inch Chopper (Order 2X BK505)
7	HA505RC	BLADE PADDLE RT CARBIDE	9	67 Inch Chopper
7	HA505RC	BLADE PADDLE RT CARBIDE	6	55 Inch Chopper
7	HA505R	BLADE PADDLE RT	9	67 Inch Chopper
7	HA505R	BLADE PADDLE RT	6	55 Inch Chopper
8	HA550L	BLADE FAN MAV LT NA	6	Standard Spread
8	HA570L	BLADE FAN MAV LT NA WIDE SPREAD	6	Wide Spread
9	HA550R	BLADE FAN MAV RT NA	6	Standard Spread
9	HA570R	BLADE FAN MAV RT NA WIDE SPREAD	6	Wide Spread
10	N42M-12	NUT LOCK STL M12 C10 YZD	42	67 Inch Chopper
10	N42M-12	NUT LOCK STL M12 C10 YZD	36	55 Inch Chopper

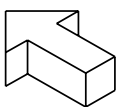
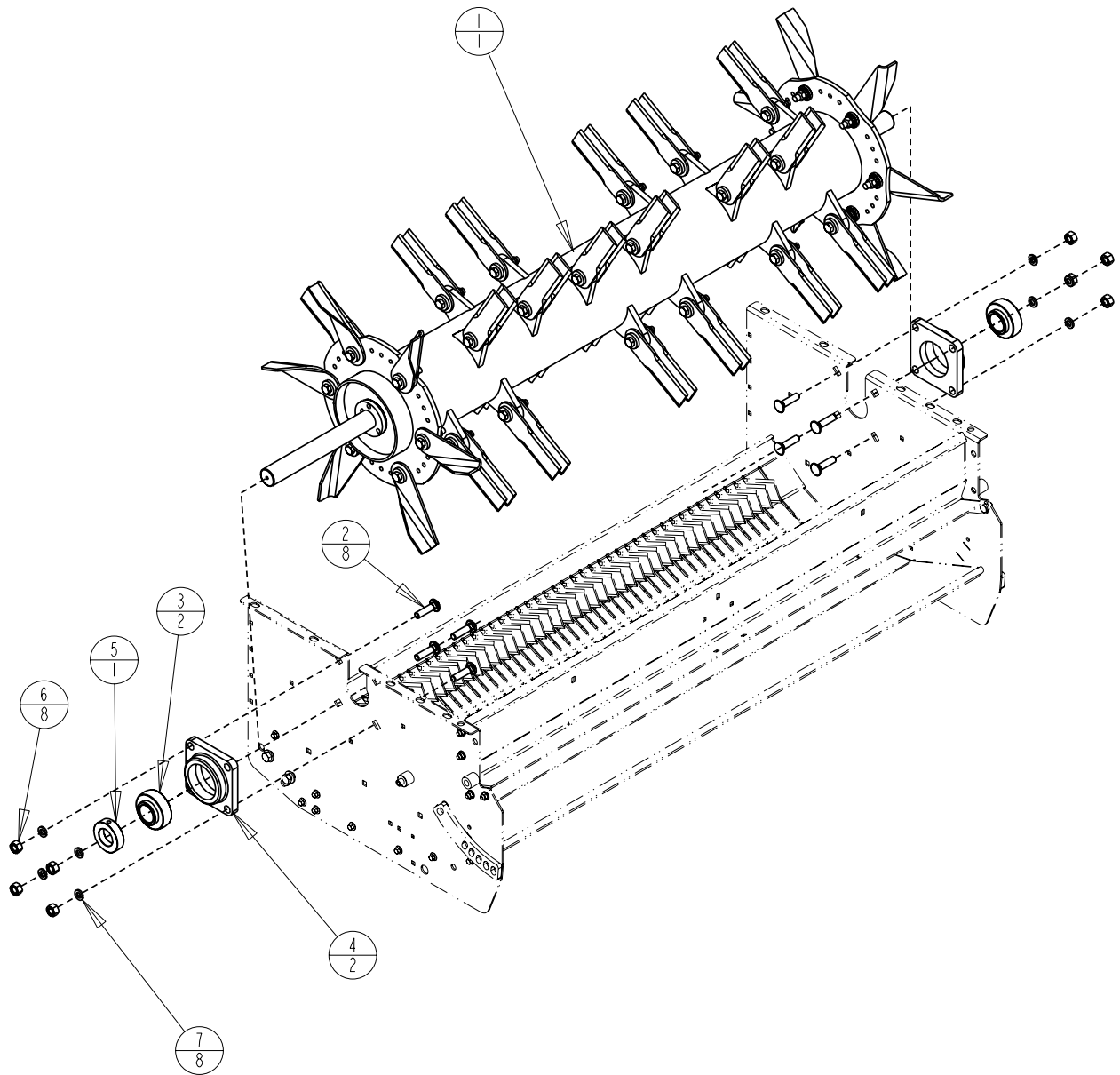
CHOPPER BASE ROTOR MOUNT

Page: MC-10-104.01
Date: 17SEP04

Serial No Range From:
RM001

Serial No Range To:
RM10000

KEY: 



1400005C

Indicate implement serial number with any parts order

BASE ROTOR MOUNT**PAGE: MC-11-104.01**

ITEM NO.	PART NO.	DESCRIPTION	QTY	NOTE
1	CG100A	ROTOR MAV 67W .188 STR	1	67 inch chopper
1	CG150A	ROTOR MAV 55W .188 STR	1	55 inch chopper
2	B31M-1250	BOLT RD HD M12X50 G8.8 YZD	8	
3	BR100	BEARING 1.5ID	2	
4	BR105	BEARING FLANGE 4B 4.125C	2	
5	BR100-01	LOCK COLLAR 1.5ID	1	
6	N11M-12	NUT HEX M12 G8.8 YZD	8	
7	W21M-12	WASHER HELICAL LOCK M12	8	

CHOPPER
BASE ROTOR MOUNT

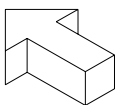
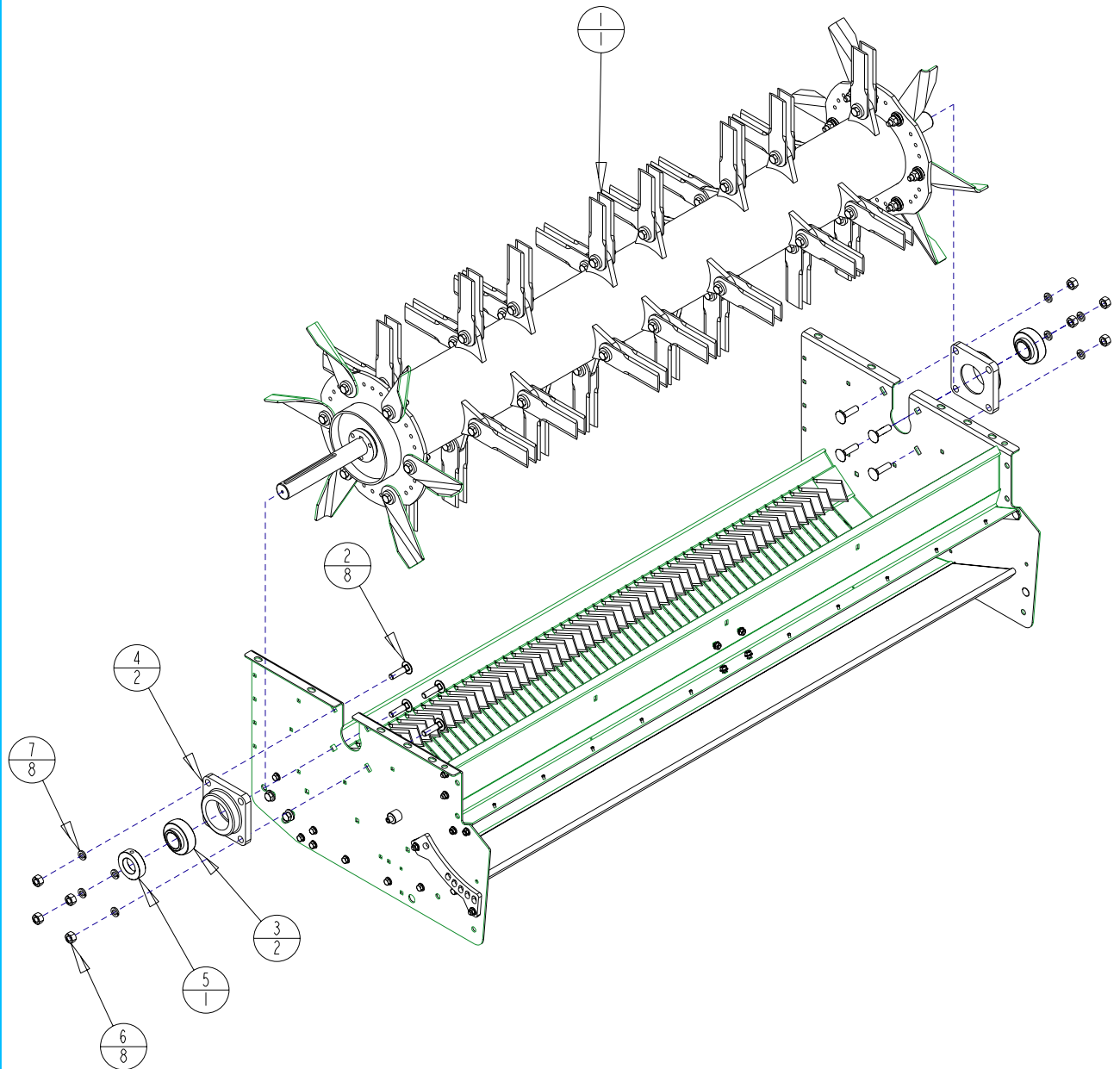
Page: MC-11-104.02
Date: 25AUG06

Serial No Range From:
MR10000

Serial No Range To:
MR11687

KEY:

ITEM
QTY



ITEM NO.	PART NO.	DESCRIPTION	QTY	NOTE
1	CG100A	ROTOR MAV 67W RMC	1	67 inch chopper
1	CG150A	ROTOR MAV 55W RMC	1	55 inch chopper
2	B31M-1250	BOLT RH M12X50 C8.8 YZD	8	
3	BR100	BEARING BALL SPH 1.5 ID ECL SEALED	2	
4	BR105	BEARING FLANGE 4B 4.000C	2	
5	BR100-01	LOCK COLLAR ECL 1.5 ID	1	
6	N11M-12	NUT HEX M12 C8 YZD	8	
7	W21M-12	WASHER HELICAL LOCK M12	8	

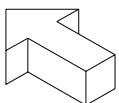
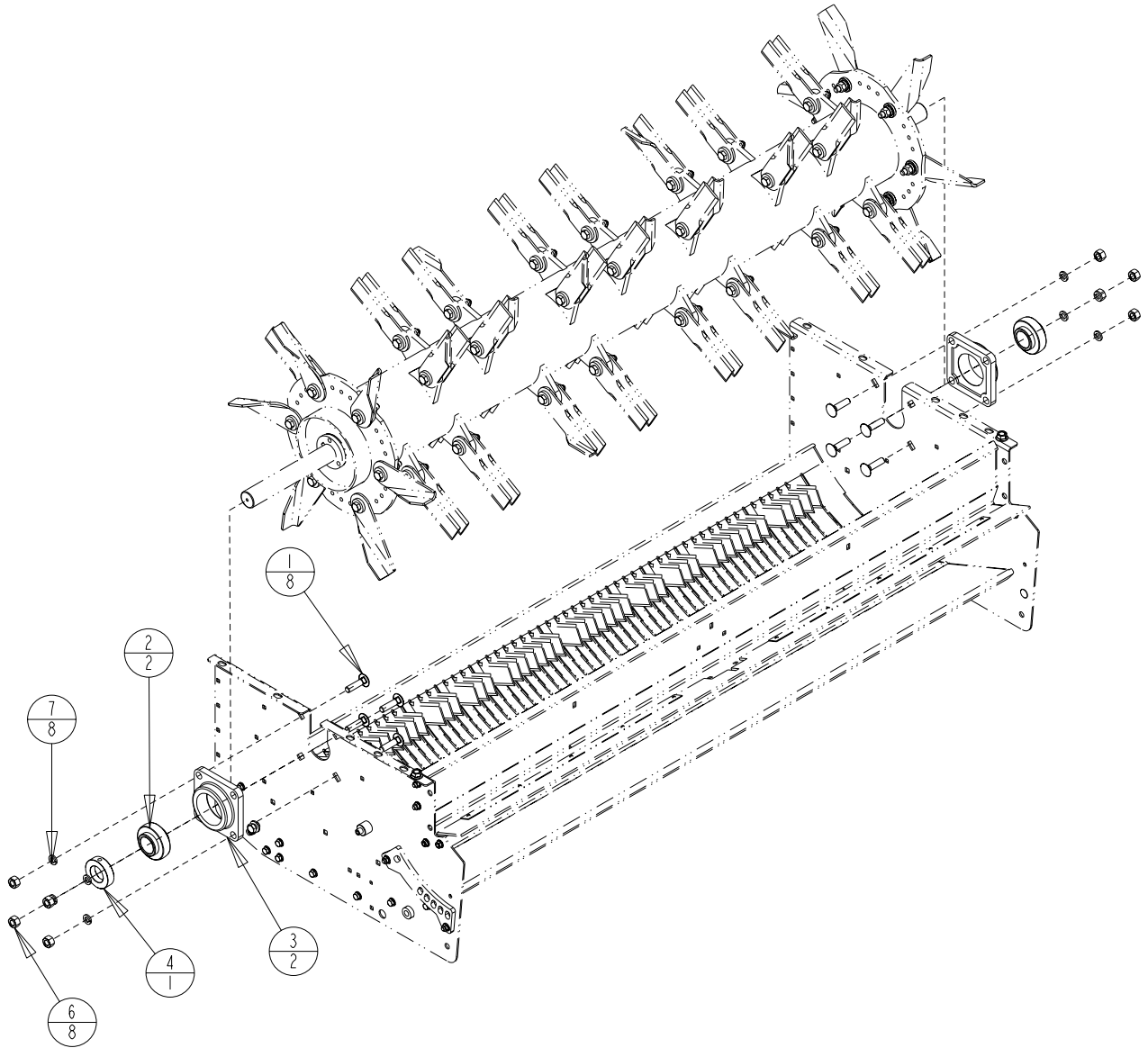
CHOPPER
BASE ROTOR MOUNT

Page:MC-II-104.03
Date:13AUG06

Serial No Range From:
RM11688

Serial No Range To:
RM20999

KEY: 



1600004C

Indicate implement serial number with any parts order _____

BASE ROTOR MOUNT**PAGE: MC-11-104.03**

ITEM NO.	PART NO.	DESCRIPTION	QTY	NOTE
1	B31M-1250	BOLT RH M12X50 C8.8 YZD	8	
2	BR100	BEARING BALL SPH 1.5 ID ECL SEALED	2	
3	BR105	BEARING FLANGE 4B 4.000C	2	
4	BR100-01	LOCK COLLAR ECL 1.5 ID	1	
5	N11M-12	NUT HEX M12 C8 YZD	8	
6	W21M-12	WASHER HELICAL LOCK M12	8	

CHOPPER
BASE ROTOR ASSEMBLY

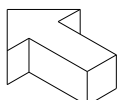
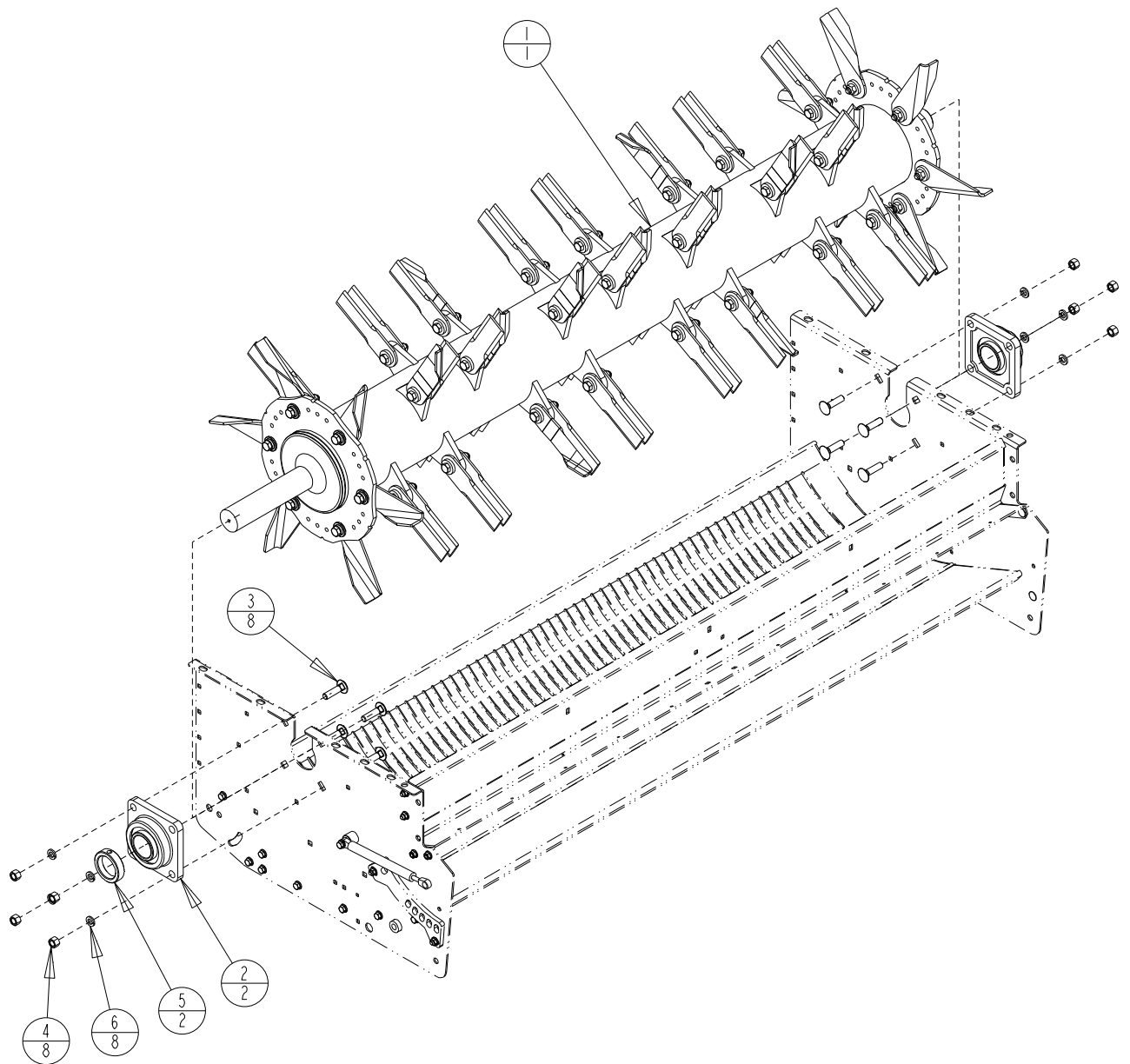
Page:MC-II-104.04
Date:01FEB11

Serial No Range From:
MR-21000

Serial No Range To:
PRESENT

KEY:

ITEM
QTY



NOTE: Some models do not come with inner fan blades (HA505L+R)

BASE ROTOR MOUNT**PAGE: MC-11-104.04**

ITEM NO.	PART NO.	DESCRIPTION	QTY	NOTE
1	CG500A	ROTOR MAV FG 67W RMC	1	
2	RP295A	BEARING ASSY 50mm ID ECL 4B CAST FLG	2	Forged End Rotors
3	B31M-1250	BOLT RH M12X50 C8.8 YZD	8	
4	N11M-12	NUT HEX M12 C8 YZD	8	
5	RP296	LOCK COLLAR ECL 50mm ID	2	Forged End Rotors
6	W21M-12	WASHER HELICAL LOCK M12	8	

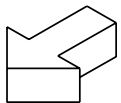
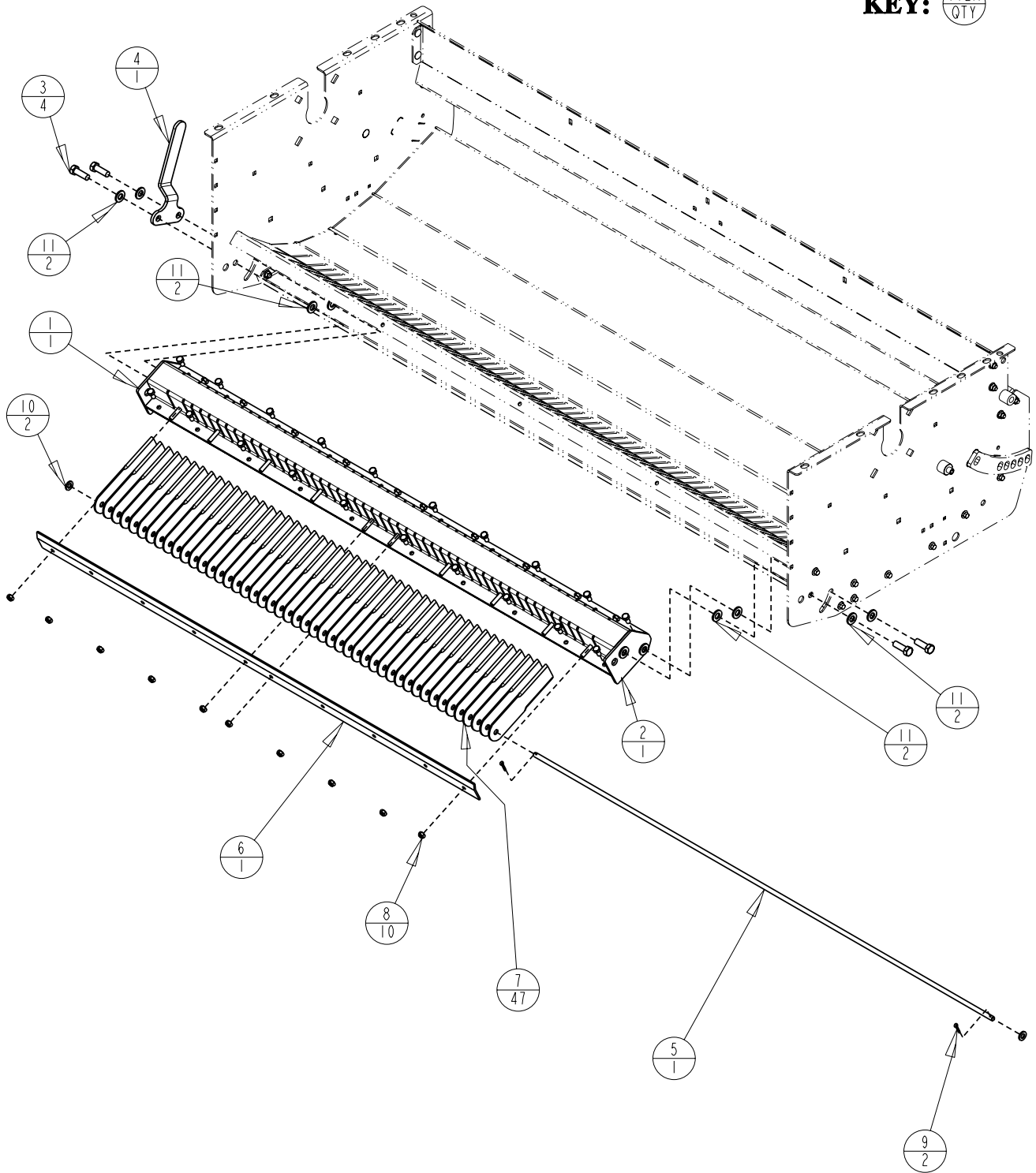
CHOPPER BASE KNIFEBAR

Page: MC-10-105.01
Date: 17SEP04

Serial No Range From:
RM001

Serial No Range To:
RM10000

KEY: 



1400007C

Indicate implement serial number with any parts order _____

ITEM NO.	PART NO.	DESCRIPTION	QTY	NOTE
1	CG101A	KNIFE BAR /A 67L	1	Replace w/ CG301A
1	CG151A	KNIFE BAR /A 55L	1	Replace w/ CG351A
1	CG167A	KNIFE BAR /A 65L	1	Replace w/ CG367A
1	CG251A	KNIFE BAR /A 43L	1	Replace w/ CG451A
3	B12M-1235	BOLT HEX M12X35 G10.9 YZD	4	
4	CG114-01	HANDLE	1	
5	CG103-01	ROD KNIFE BAR 67L	1	67 inch chopper
5	CG153-01	ROD KNIFE BAR 55L	1	55 inch chopper
6	CG104-01	PLATE PRESS KBAR 67L	1	67 inch chopper
6	CG154-01	PLATE PRESS KBAR 55L	1	55 inch chopper
7	HA700	BLADE STR KNIFE BAR	61	67 inch chopper (Order 7 X BK700)
7	HA700	BLADE STR KNIFE BAR	47	55 inch chopper (Order 5 X BK700)
8	N41M-08	NUT LOCK M8 G8.8 YZD	12	67 inch chopper
8	N41M-09	NUT LOCK M8 G8.8 YZD	10	55 inch chopper
9	P21M-0322	PIN COTTER M3X22	2	
10	W11M-10	WASHER FLAT M10X20X2.3 YZD	2	
11	W11M-12	WASHER FLAT M12X25.4X2.8 YZD	8	

CHOPPER
BASE KNIFE BAR

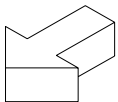
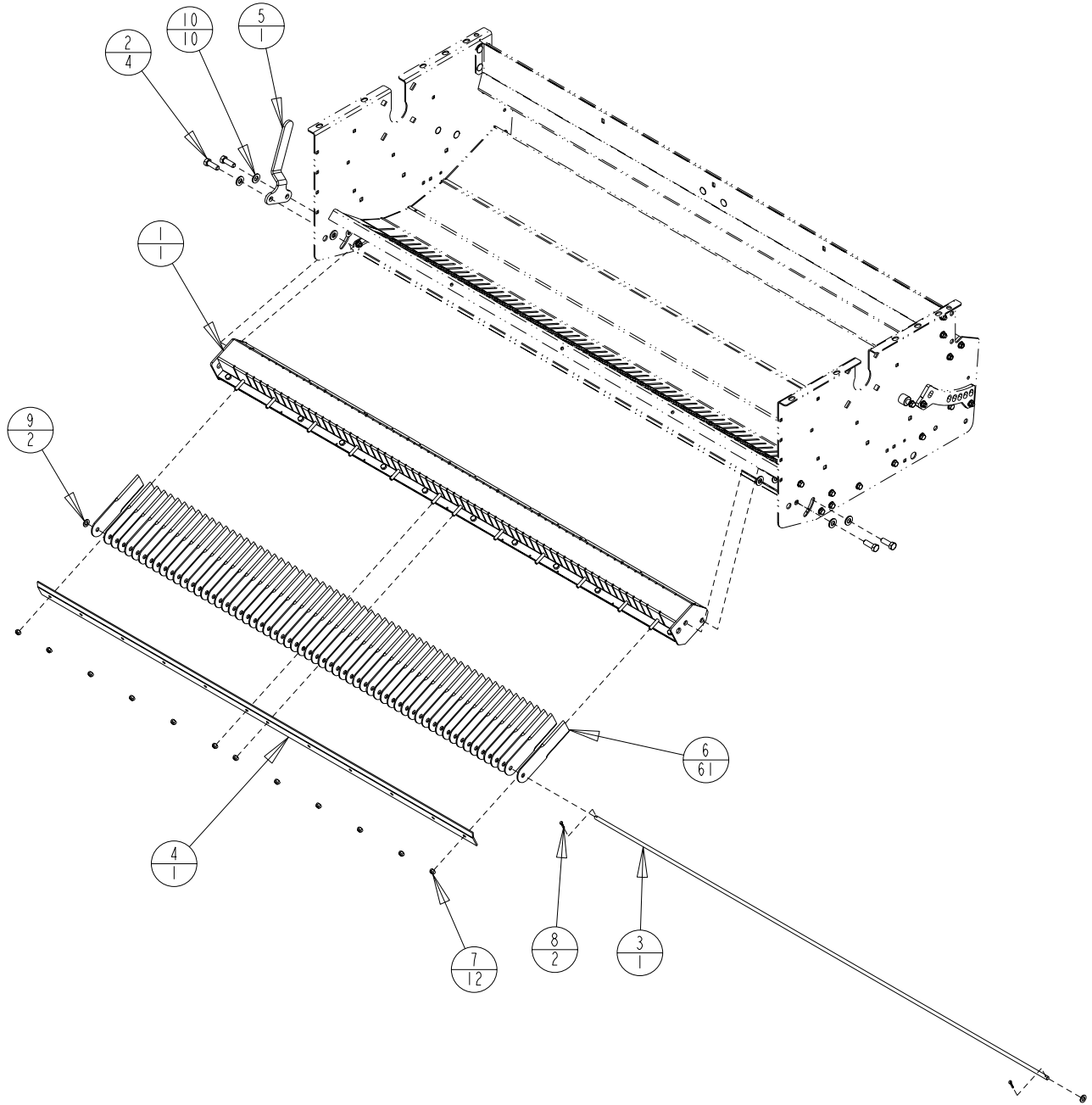
Page:MC-II-105.02
Date:28AUG06

Serial No Range From:
RM10000

Serial No Range To:
RM11687

KEY:

ITEM
QTY



1500014C

Indicate implement serial number with any parts order _____

ITEM NO.	PART NO.	DESCRIPTION	QTY	NOTE
1	CG101A	FRAME KNIFE BAR /W 67L	1	Replace w/ CG301A
1	CG151A	FRAME KNIFE BAR /W 55L	1	Replace w/ CG351A
1	CG167A	FRAME KNIFE BAR /W 65L	1	Replace w/ CG367A
1	CG251A	FRAME KNIFE BAR /W 43L	1	Replace w/ CG451A
2	B11M-1235	BOLT HEX M12X35 C8.8 YZD	4	
3	CG103-01	ROD KNIFE BAR 67L	1	67 inch chopper
3	CG153-01	ROD KNIFE BAR 55L	1	55 inch chopper
4	CG104-01	PLATE PRESS KBAR 67L	1	67 inch chopper
4	CG154-01	PLATE PRESS KBAR 55L	1	55 inch chopper
5	CG114-01	HANDLE KNIFE BAR MAV	1	
6	HA700	BLADE STR KNIFE BAR	61	67 inch chopper (Order 7 X BK700)
6	HA700	BLADE STR KNIFE BAR	47	55 inch chopper (Order 5 X BK700)
7	N41M-08	NUT LOCK STL M8 C8 YZD	12	67 inch chopper
7	N41M-08	NUT LOCK STL M8 C8 YZD	10	55 inch chopper
8	P21M-0322	PIN COTTER M3X22	2	
9	W11M-10	WASHER FLAT M10X20X2.3 YZD	2	
10	W11M-12	WASHER FLAT M12X25.4X2.8 YZD	10	

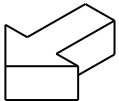
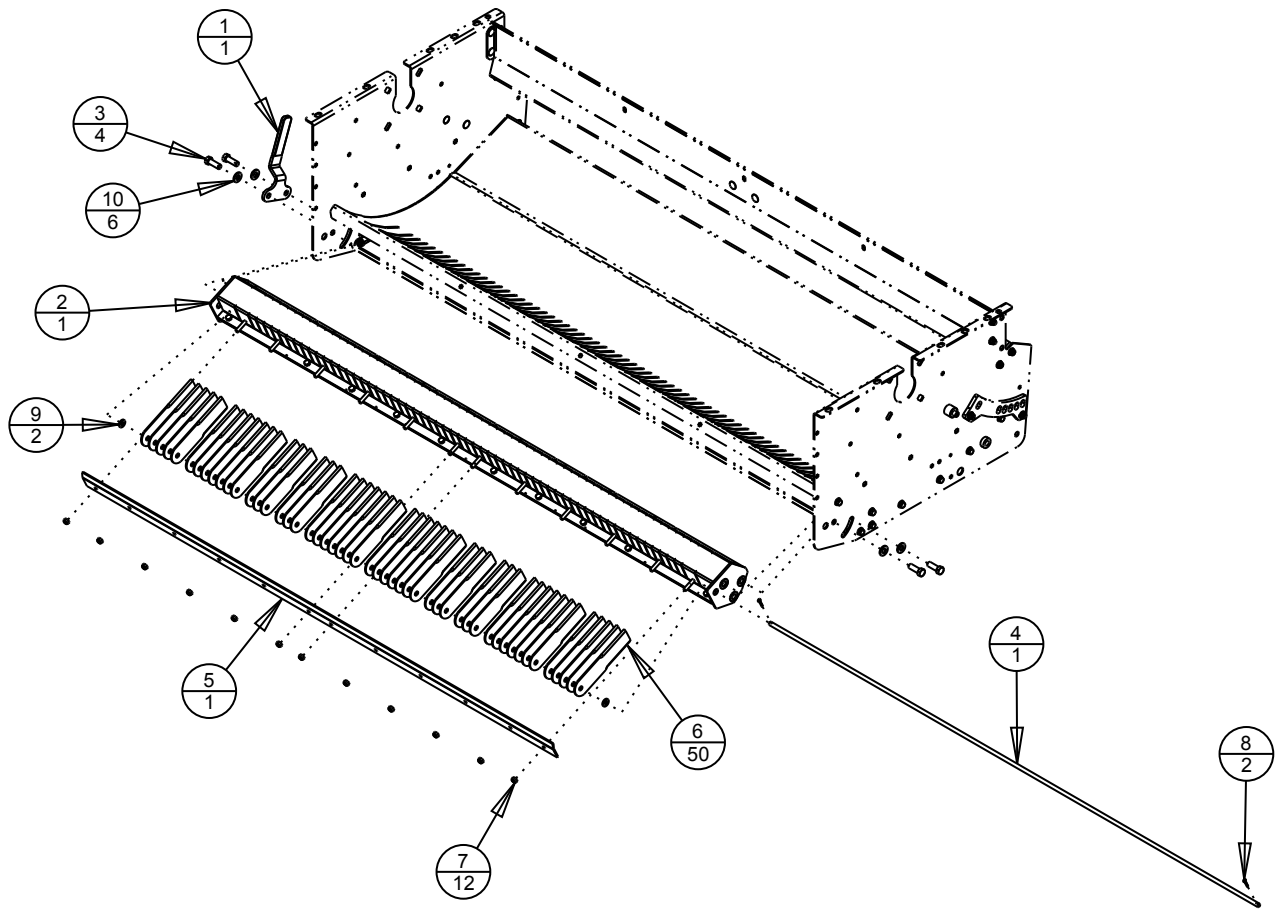
CHOPPER
BASE KNIFEBAR

Page:MC-11-105.03
Date:15AUG06

Serial No Range From:
RM11688

Serial No Range To:
PRESENT

KEY: 



1600005C

Indicate implement serial number with any parts order

BASE KNIFE BAR

ITEM NO.	PART NO.	DESCRIPTION	QTY	NOTE
1	CG244A	ASSY KBAR HANDLE	1	
2	CG301A	KNIFE BAR ASSY MAV 67L	1	67 inch chopper
2	CG351A	KNIFE BAR ASSY MAV 55L	1	55 inch chopper
3	B11M-1235	BOLT HEX M12X35 C8.8 YZD	4	
4	CG103-01	ROD KNIFE BAR 67L	1	67 inch chopper
4	CG153-01	ROD KNIFE BAR 55L	1	55 inch chopper
5	CG104-01	PLATE PRESS KBAR 67L	1	67 inch chopper
5	CG154-01	PLATE PRESS KBAR 55L	1	55 inch chopper
6	HA700	BLADE STR KNIFE BAR	50	67 inch (w/ Paddle Blades, Order 5 X BK700)
6	HA700	BLADE STR KNIFE BAR	61	67 inch (w/out Paddle Blades, Order 7 X BK700)
6	HA700	BLADE STR KNIFE BAR	41	55 inch (w/ Paddle Blades, Order 5 X BK700)
6	HA700	BLADE STR KNIFE BAR	47	55 inch (w/out Paddle Blades, Order 5 X BK700)
7	N41M-08	NUT LOCK STL M8 C8 YZD	12	67 inch chopper
7	N41M-08	NUT LOCK STL M8 C8 YZD	10	55 inch chopper
8	P21M-0322	PIN COTTER M3X22	2	
9	W11M-10	WASHER FLAT M10X20X2.3 YZD	2	
10	W11M-12	WASHER FLAT M12X25.4X2.8 YZD	6	

CHOPPER BASE TAILBOARD MOUNTS

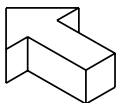
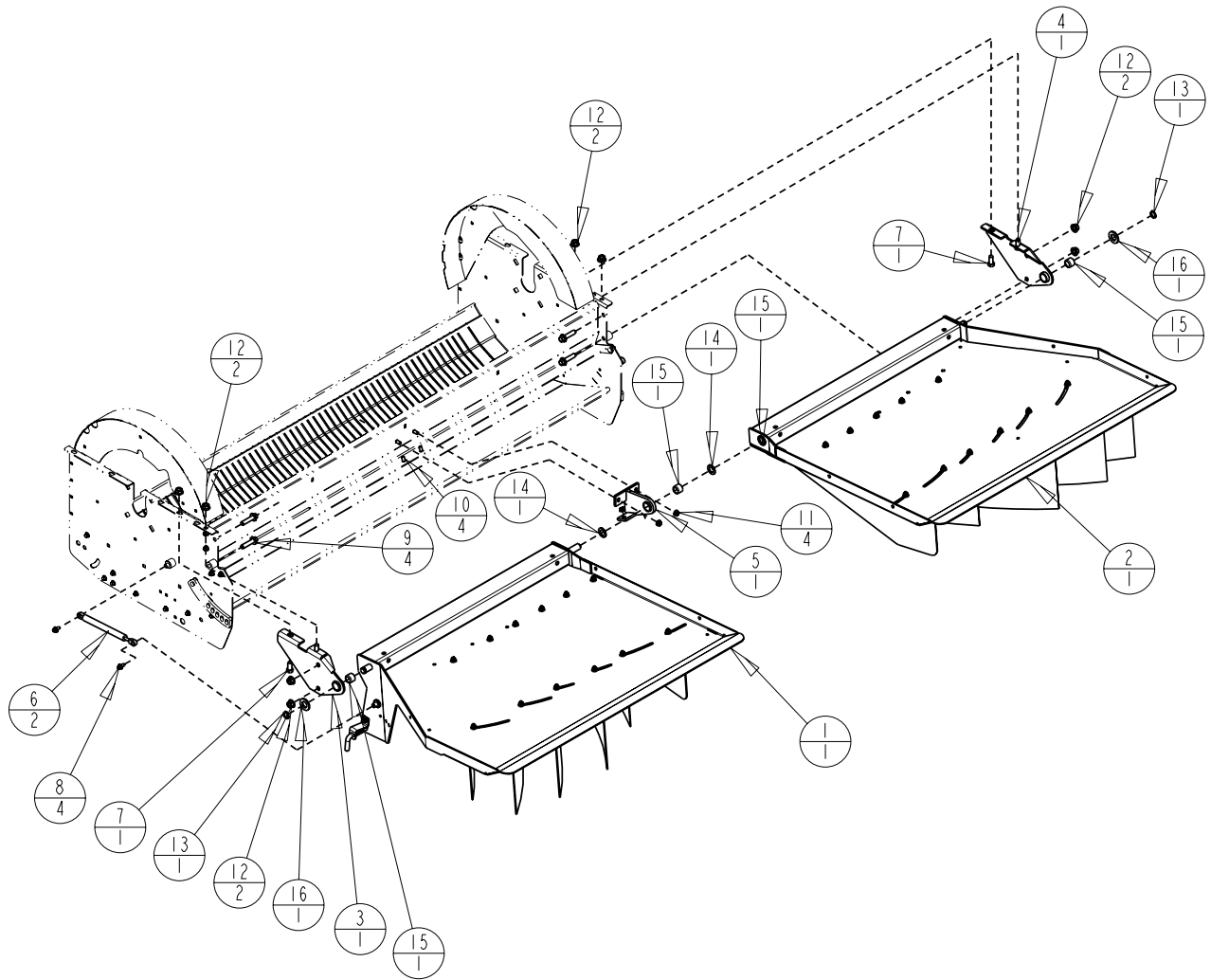
Page: MC-10-106.01
Date: 17SEP06

Serial No Range From:
RM001

Serial No Range To:
RM10000

KEY:

ITEM
QTY



1400009C

Indicate implement serial number with any parts order _____

BASE TAILBOARD MOUNTS

ITEM NO.	PART NO.	DESCRIPTION	QTY	NOTE
1	CG106AL	TAILBOARD LT	1	67 inch chopper Replace w/ CG306AL
1	CG156AL	TAILBOARD LT	1	55 inch chopper Replace w/CG365AL
2	CG106AR	TAILBOARD RT	1	67 inch chopper Replace w/ CG306AR
2	CG156AR	TAILBOARD RT	1	55 inch chopper Replace w/CG365AR
3	CG122WL	MOUNT TAILBOARD LT	1	Replace w/ CG193WL & CG194W
4	CG122WR	MOUNT TAILBOARD RT	1	Replace w/ CG193WR &CG194W
5	CG136W	BRACKET TBOARD SUPPORT	1	
6	RP105	SHOCK GAS	2	
7	B11M-1225	BOLT HEX M12X25 G8.8 YZD	2	
8	B21M-0816	BOLT FLG M8X16 G8.8 YZD	4	
9	B21M-1250	BOLT FLG M12X50 G8.8 YZD	4	
10	B31M-0820	BOLT RD HD M8X20 G8.8 YZD	14	
11	N21M-08	NUT HEX FLG M8 G8.8 YZD	53	
12	N21M-12	NUT HEX FLG M12 G8.8 YZD	8	
13	Q21M-19	RING SNAP EXT M19 YZD	2	
14	RP108	M.B. .76ID X 1.25OD X .06TK	2	
15	RP109	BUSHING NYL 1.005 X.76 X.75L	4	
16	W11M-20	WASHER FLAT M20X39X4.0 YZD	2	

CHOPPER
BASE TAILBOARD MOUNTS

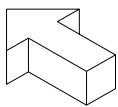
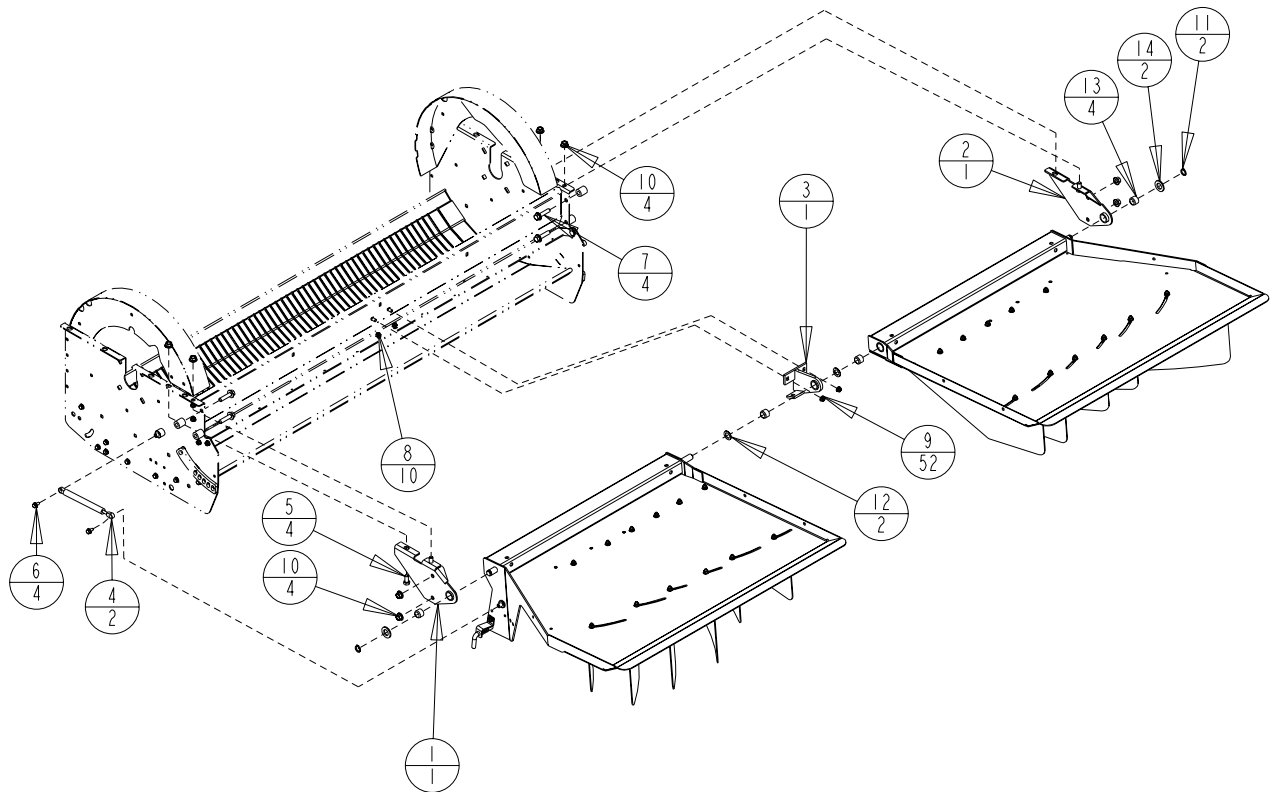
Page:MC-II-106.02
Date:29AUG06

Serial No Range From:
RM10000

Serial No Range To:
RM11687

KEY:

ITEM
QTY



1500015C

Indicate implement serial number with any parts order.

BASE TAILBOARD MOUNTS**PAGE: MC-11-106.02**

ITEM NO.	PART NO.	DESCRIPTION	QTY	NOTE
1	CG122WL	MOUNT TAILBOARD LT	1	Replace w/ CG193WL & CG194W
2	CG122WR	MOUNT TAILBOARD RT	1	Replace w/ CG193WR & CG194W
3	CG136W	BRACKET TBOARD SUPPORT	1	
4	RP105	SHOCK GAS	2	
5	B11M-1225	BOLT HEX M12X25 C8.8 YZD	4	
6	B21M-0816	BOLT FLG M8X16 C8.8 YZD	4	
7	B21M-1250	BOLT FLG M12X50 C8.8 YZD	4	
8	B31M-0820	BOLT RH M8X20 C8.8 YZD	10	
9	N21M-08	NUT FLG M8 C8 YZD	54	
10	N21M-12	NUT FLG M12 C8 YZD	8	
11	Q21M-19	RING SNAP EXT M19 YZD	2	
12	RP108	M.B. .76ID X 1.25OD X .06TK	2	
13	RP109	BUSHING NYL 1.005 X .76 X .75L	4	
14	W11M-20	WASHER FLAT M20X39X4.0 YZD	2	

CHOPPER
BASE TAILBOARD MOUNTS

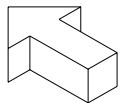
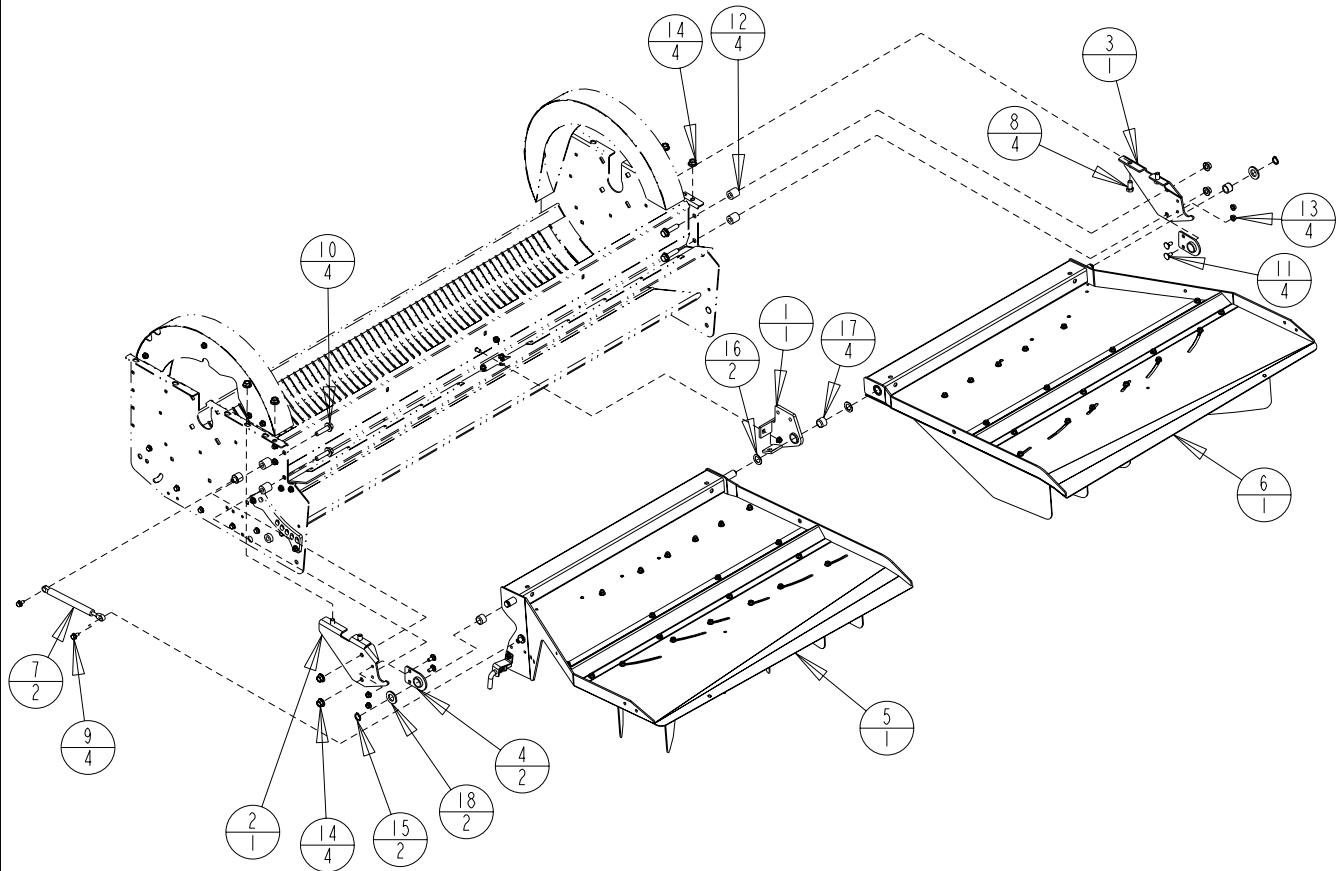
Page:MC-II-106.03
Date:16AUG06

Serial No Range From:
RMII688

Serial No Range To:
PRESENT

KEY:

ITEM
QTY



1600006C

Indicate implement serial number with any parts order _____

BASE TAILBOARD MOUNTS

ITEM NO.	PART NO.	DESCRIPTION	QTY	NOTE
1	CG136W	BRACKET TBOARD SUPPORT	1	
2	CG193WL	BRACKET TBOARD MNT LT	1	
3	CG193WR	BRACKET TBOARD MNT RT	1	
4	CG194W	BRACKET TBOARD PVT	2	
5	CG306AL	TAILBOARD ASSY LT 67W	1	67 inch chopper
5	CG356AL	TAILBOARD ASSY LT 55W	1	55 inch chopper
6	CG306AR	TAILBOARD ASSY RT 67W	1	67 inch chopper
6	CG356AR	TAILBOARD ASSY RT 55W	1	55 inch chopper
7	RP105	SHOCK GAS	2	
8	B11M-1225	BOLT HEX M12X25 C8.8 YZD	4	
9	B21M-0816	BOLT FLG M8X16 C8.8 YZD	4	
10	B21M-1250	BOLT FLG M12X50 C8.8 YZD	4	
11	B31M-0820	BOLT RH M8X20 C8.8 YZD	8	
12	CG105-03	COLLAR TAILBOARD MNT	4	
13	N21M-08	NUT FLG M8 C8 YZD	12	
14	N21M-12	NUT FLG M12 C8 YZD	8	
15	Q21M-19	RING SNAP EXT M19 YZD	2	
16	RP108	M.B. .76ID X 1.25OD X .06TK	2	
17	RP109	BUSHING NYL 1.005 X.76 X.75L	4	
18	W11M-20	WASHER FLAT M20X39X4.0 YZD	2	

CHOPPER BASE TAILBOARD ASSEMBLY

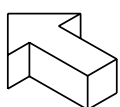
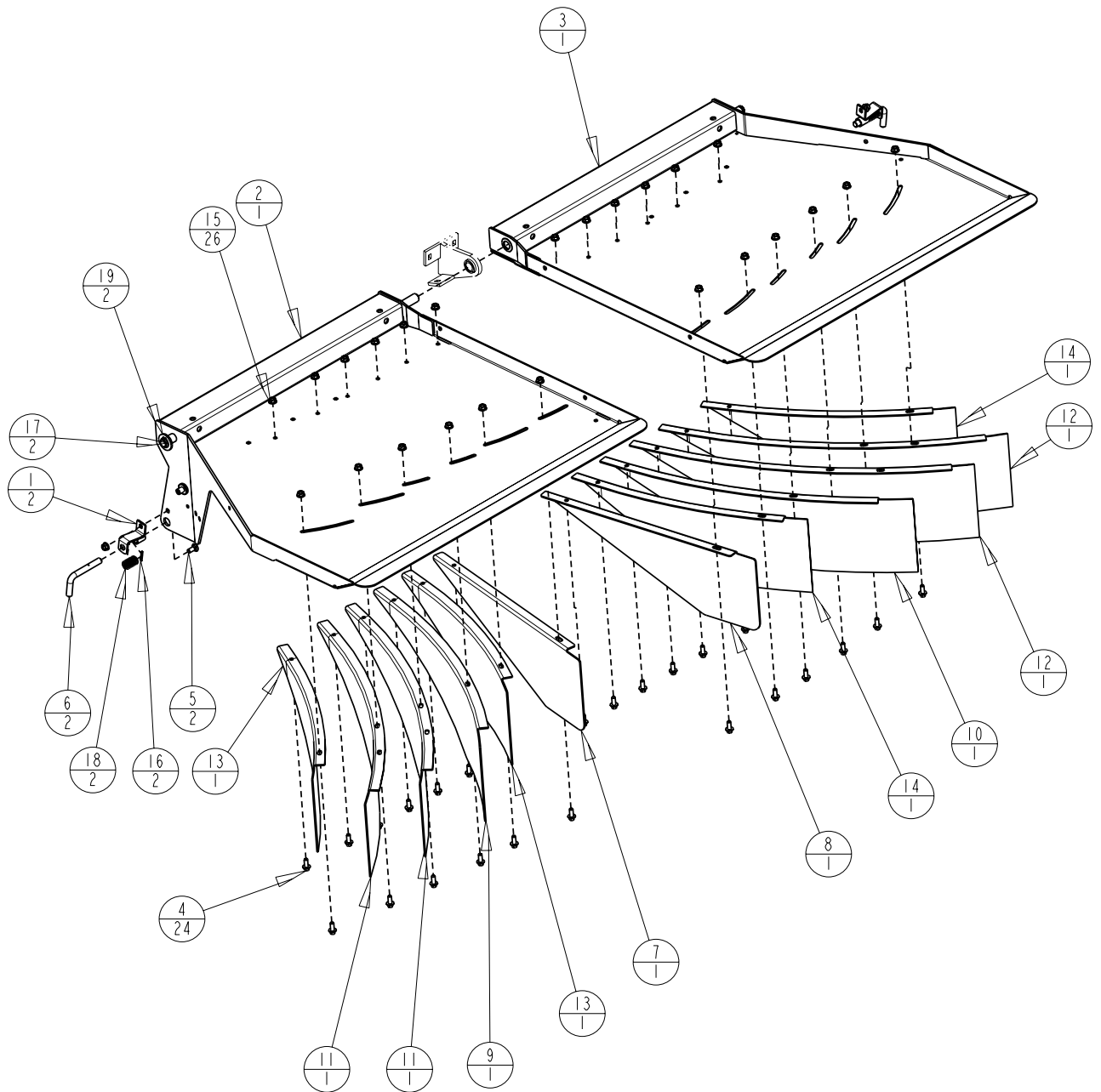
Page: MC-10-107.01
Date: 17SEP04

Serial No Range From:
RM001

Serial No Range To:
RM10000

KEY:

ITEM
QTY



140001C

Indicate implement serial number with any parts order _____

BASE TAILBOARD ASSEMBLY

ITEM NO.	PART NO.	DESCRIPTION	QTY	NOTE
1	CG112W	LOCK TAB TBOARD ADJ	2	
2	CG106WL	TAILBOARD WELDMENT 67W LT	1	67 inch chopper
2	CG156WL	TAILBOARD WELDMENT 55W LT	1	55 inch chopper
2	CG106WR	TAILBOARD WELD RT 67W	1	67 inch chopper
3	CG156WR	TAILBOARD WELD RT 55W	1	55 inch chopper
4	B21M-0820	BOLT FLG M8X20 G8.8 YZD	24	
5	B31M-0820	BOLT RD HD M8X20 G8.8 YZD	2	
6	CG113-01	PIN TBOARD LATCH	2	
7	CG116-01L	FIN STR 22L LT	1	
8	CG116-01R	FIN STR 22L RT	1	
9	CG118-01L	FIN TB CV 29L	1	
10	CG118-01R	FIN TB CV 29L	1	
11	CG119-01L	FIN TB CV 31L	2	
12	CG119-01R	FIN TB CV 31L	2	
13	CG120-01L	FIN TB CV 22L	2	
14	CG120-01R	FIN TB CV 22L	2	
15	N21M-08	NUT HEX FLG M8 G8.8 YZD	26	
16	P11-0216	PIN ROLL .125X1 YZD	2	
17	Q21M-19	RING SNAP EXT M19 YZD	2	
18	RP110	SPRING-C .093 WR .786 OD 1.25 L	2	
19	W11M-20	WASHER FLAT M20X39X4.0 YZD	2	

CHOPPER
BASE TAILBOARD ASSEMBLY

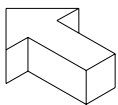
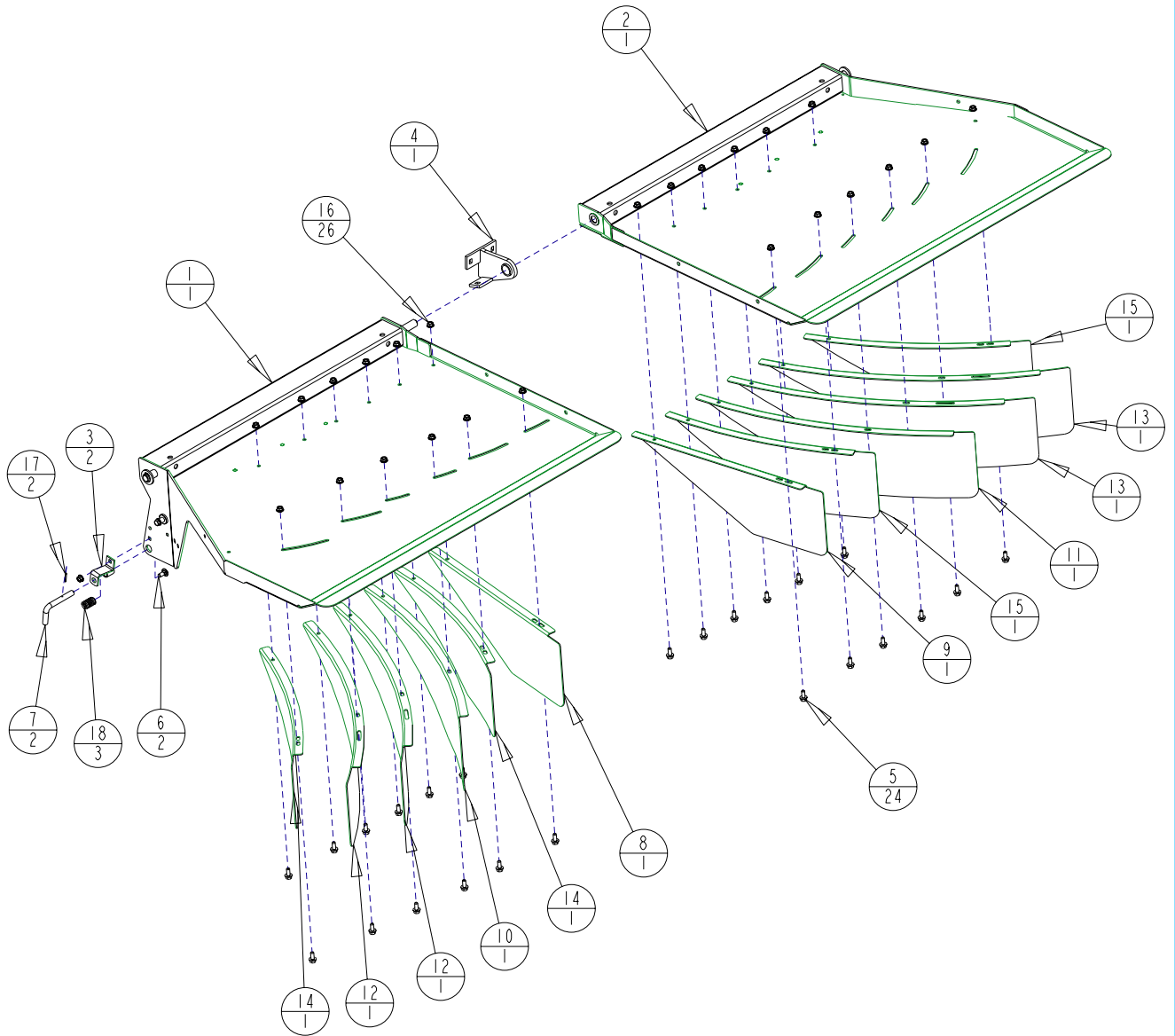
Page: MC-11-107.02
Date: 30AUG06

Serial No Range From:
RM10000

Serial No Range To:
RM11687

KEY:

ITEM
QTY



1500016C

Indicate implement serial number with any parts order _____

ITEM NO.	PART NO.	DESCRIPTION	QTY	NOTE
1	CG156WL	TAILBOARD WELDMENT 55W LT	1	55 inch chopper
1	CG106WL	TAILBOARD WELDMENT 67W LT	1	67 inch chopper
2	CG156WR	TAILBOARD RT 55W /W	1	55 inch chopper
2	CG106WR	TAILBOARD RT 67W /W	1	67 inch chopper
3	CG112W	LOCK TAB TBOARD ADJ	2	
4	CG136W	BRACKET TBOARD SUPPORT	1	
5	B21M-0820	BOLT FLG M8X20 C8.8 YZD	24	
6	B31M-0820	BOLT RH M8X20 C8.8 YZD	2	
7	CG113-01	PIN TBOARD LATCH	2	
8	CG116-01L	FIN STR 22L LT	1	
9	CG116-01R	FIN STR 22L RT	1	
10	CG118-01L	FIN CRV LT 29L	1	
11	CG118-01R	FIN CRV RT 29L	1	
12	CG119-01L	FIN CRV LT 31L	2	
13	CG119-01R	FIN CRV RT 31L	2	
14	CG120-01L	FIN CRV LT 22L	2	
15	CG120-01R	FIN CRV RT 22L	2	
16	N21M-08	NUT FLG M8 C8 YZD	26	
17	P11-0216	PIN ROLL .125X1 YZD	2	
18	RP110	SPRING-C .093 WR .786 OD 1.25 L	2	

ITEM NO.	PART NO.	DESCRIPTION	QTY	NOTE
1	B21M-0820	BOLT FLG M8X20 C8.8 YZD	4	
2	B31M-0816	BOLT RH M8X16 C8.8 YZD	56	
3	CG112-01	BRACKET TBOARD LOCK	2	
4	CG113-01	PIN TBOARD LATCH	2	
5	CG116-01L	FIN STR 22L LT	2	
6	CG116-01R	FIN STR 22L RT	2	
7	CG120-01L	FIN CRV LT 22L	2	
8	CG120-01R	FIN CRV RT 22L	2	
9	CG235-01L	EXTENSION TBOARD LT	1	
10	CG235-01R	EXTENSION TBOARD RT	1	
11	CG236-01L	FIN CRV LT 19L x 4H	1	
12	CG236-01R	FIN CRV RT 19L x 4H	1	
13	CG237-01L	FIN CRV LT 40L	1	
14	CG237-01R	FIN CRV RT 40L	1	
15	CG238-01L	BASE WS FIN LT	1	
16	CG238-01R	BASE WS FIN RT	1	
17	CG239-01	DEFLECTOR WS FIN	1	
18	CG239-01	DEFLECTOR WS FIN	1	
19	CG243-01	LINK WSPREAD FINS	2	
20	CG306WL	PANEL TAILBOARD LT 67W	1	67 inch chopper
20	CG356WL	PANEL TAILBOARD LT 55W	1	55 inch chopper
21	CG306WR	PANEL TAILBOARD RT 67W	1	67 inch chopper
21	CG356WR	PANEL TAILBOARD RT 55W	1	55 inch chopper
22	CG307-01L	SUPPORT TBOARD LT 67W	1	67 inch chopper
22	CG357-01L	SUPPORT TBOARD LT 55W	1	55 inch chopper
23	CG307-01R	SUPPORT TBOARD RT 67W	1	67 inch chopper
23	CG357-01R	SUPPORT TBOARD RT 55W	1	55 inch chopper
24	N21M-08	NUT FLG M8 C8 YZD	63	
25	P11-0216	PIN ROLL .125X1 YZD	2	
26	Q21M-19	RING SNAP EXT M19 YZD	2	
27	RP110	SPRING-C .093 WR .786 OD 1.25 L	2	
28	W11M-12	WASHER FLAT M12X25.4X2.8 YZD	2	
29	W11M-20	WASHER FLAT M20X39X4.0 YZD	2	

CHOPPER
BASE STRAW DEFLECTORS

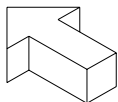
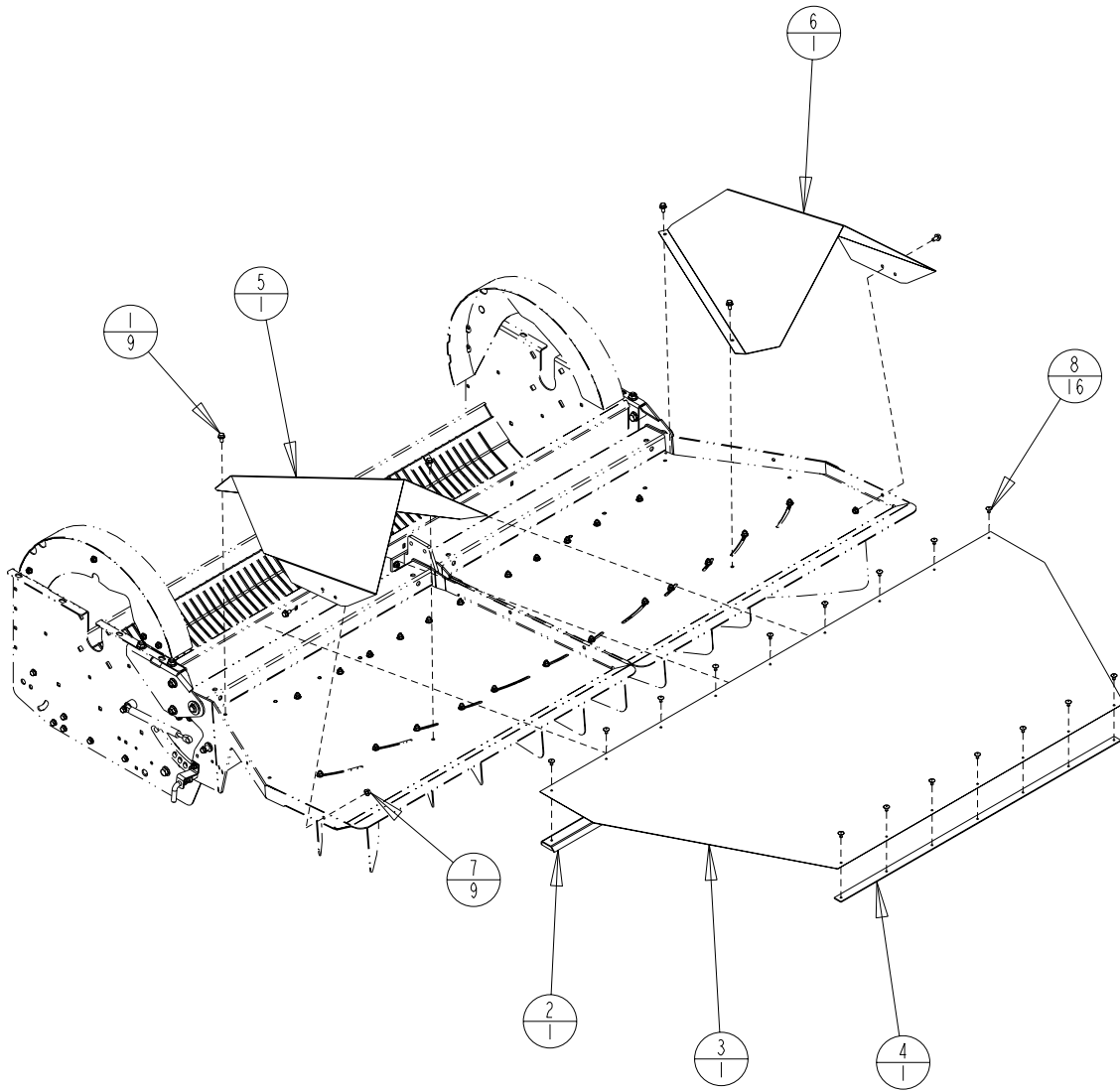
Page:MC-II-108.02
Date:2FEB07

Serial No Range From:
RM10000

Serial No Range To:
PRESENT

KEY:

ITEM
QTY



BASE STRAW DEFLECTORS**PAGE: MC-11-108.02**

ITEM NO.	PART NO.	DESCRIPTION	QTY	NOTE
1	B21M-0816	BOLT FLG M8X16 C8.8 YZD	9	
2	CG200-01	BRACKET STRAW DROP BELT MT 55W	1	55 inch chopper
2	CG199-01	BRACKET STRAW DROP BELT MT 67W	1	67 inch chopper
3	CG202-01	BELTING STRAW DROP 55W	1	55 inch chopper
3	CG201-01	BELTING STRAW DROP 67W	1	67 inch chopper
4	CG204-01	STRAP STRAW DROP BELT 55W	1	
5	CG198-01L	FIN STRAW DEFLECT LT NARROW	1	55 inch chopper
5	CG206-01L	FIN STRAW DEFLECT LT WIDE	1	67 inch chopper
6	CG198-01R	FIN STRAW DEFLECT RT NARROW	1	55 inch chopper
6	CG206-01R	FIN STRAW DEFLECT RT WIDE	1	67 inch chopper
7	N21M-08	NUT FLG M8 C8 YZD	9	
8	R03-08H	RIVET .188 X .375GR LRG HD	16	

CHOPPER
BASE STRAW DEFLECTORS

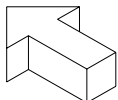
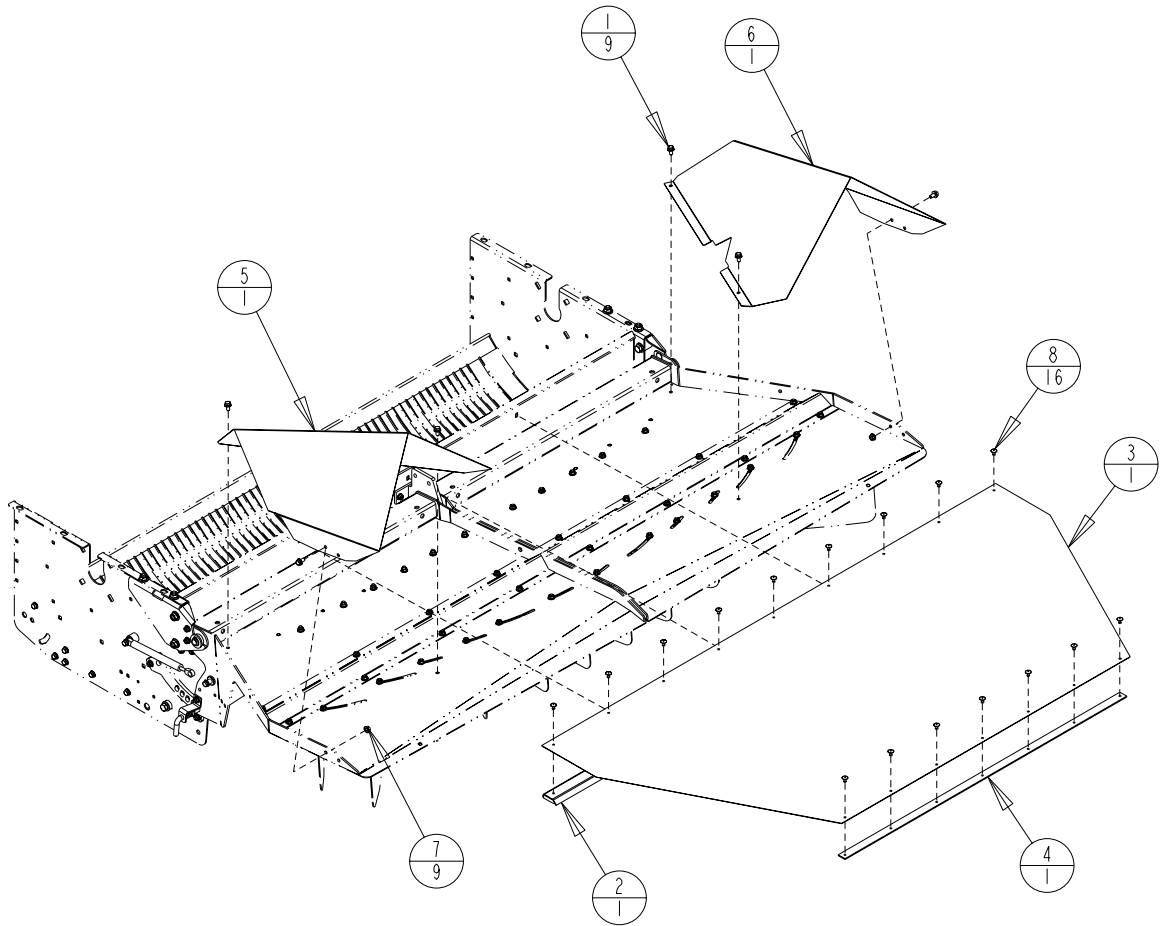
Page:MC-II-108.03
Date:15SEP06

Serial No Range From:
RM11688

Serial No Range To:
PRESENT

KEY:

ITEM
QTY



BASE STRAW DEFLECTORS

PAGE: MC-11-108.03

ITEM NO.	PART NO.	DESCRIPTION	QTY	NOTE
1	B21M-0816	BOLT FLG M8X16 C8.8 YZD	9	
2	CG200-01	BRACKET STRAW DROP BELT MT 55W	1	55 inch chopper
2	CG199-01	BRACKET STRAW DROP BELT MT 67W	1	67 inch chopper
3	CG202-01	BELTING STRAW DROP 55W	1	55 inch chopper
3	CG201-01	BELTING STRAW DROP 67W	1	67 inch chopper
4	CG204-01	STRAP STRAW DROP BELT 55W	1	
5	CG232-01L	FIN STRAW DEFLECT LT NARROW	1	55 inch chopper
5	CG231-01L	FIN STRAW DEFLECT LT WIDE	1	67 inch chopper
6	CG232-01R	FIN STRAW DEFLECT RT NARROW	1	55 inch chopper
6	CG231-01R	FIN STRAW DEFLECT RT WIDE	1	67 inch chopper
7	N21M-08	NUT FLG M8 C8 YZD	9	
8	R03-08H	RIVET .188 X .375GR LRG HD	16	